

UTY-TFSXH4 AIRSTAGE Mobile WiFi Module (Wall Mount Indoor Unit / USB Type)

Job Name _____
 Location _____
 Engineer _____
 Submitted To _____
 Submitted By _____
 Reference _____

Date _____
 Approval _____
 Construction _____
 Unit No _____
 Drawing No _____

PRODUCT FEATURES

- Connects to the new AIRSTAGE Mobile app for control from anywhere
- App available in App Store (for iOS) and Play Store (for Android)
- Direct Control provides local control without a WiFi access point
- Modular connection inside the wall mount unit
- Simple, guided registration process
- Intuitive, graphics-based operation
- Control and monitoring of commonly used functions, including:
 - On/Off
 - Operation Mode
 - Set Temperature
 - Airflow Speed and Direction
 - Outdoor and Room Temperature display
 - Weekly Scheduling
- Group functions for monitoring and control:
 - On/Off
 - Operation Mode
 - Set Temperature
- User access levels
- Error handling and history
- Specialty functions, if available on your system, including:
 - Economy
 - Energy Saving Fan
 - Human Sensor (for energy saving setting)
 - Powerful
 - Outdoor Unit Low Noise
- Voice control from Amazon Alexa or Google Home
- Over-the-air updates to firmware and app
- 90-day warranty

GENERAL INFO

Control of your compatible AIRSTAGE H-Series system from the AIRSTAGE Mobile app (iOS or Android)



SPECIFICATIONS	
Maximum radio-frequency power	40mW
Power source	Indoor unit
Operating temperature range	32 to 115 °F (0 to 46 °C)
H × W × D inches (mm)	2-1/4 × 1-5/16 × 3/8 (57 × 33 × 9)
Net weight oz (g)	0.6 (16.6)
RoHS conformity	Compliant with RoHS directive (2011/65/EU)

CONNECTIONS	
Maximum number of units per account (i.e. per adapter)	50
Device connection to IDU	Modular connection inside indoor unit
Device connection to smartphone	2.4 GHz, IEEE802.11b/g/n

SETTABLE TEMPERATURE RANGES	
Cool / Dry	64 to 88 °F (18-30 °C)
Heat	60 to 88 °F (16-30 °C)

ORDERING CODE

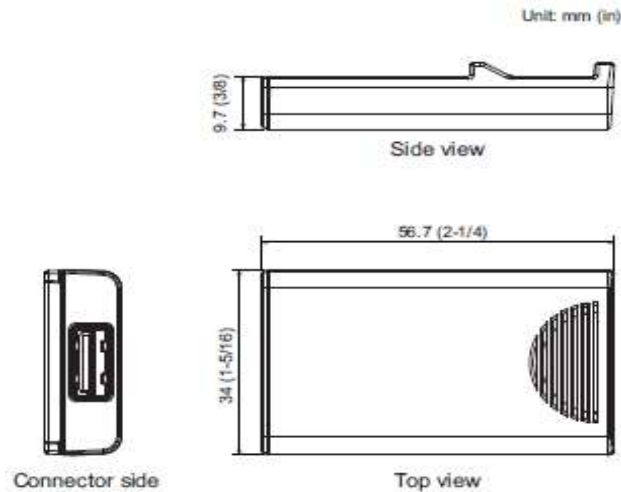
UTY-TFSXH4

COMPATIBLE AIRSTAGE EQUIPMENT

H-Series:

ASUG**LMAS	ASUG**LZAS	ASUG**LZBS	ASUH**LMAS
ASUH**LPAS			

DIMENSIONS



Due to continuous product improvements, specifications are subject to change without notice. Please log in to the Fujitsu Portal for the most up-to-date documentation <https://connect.fujitsugeneral.com>

Effective Date: 3/1/2023

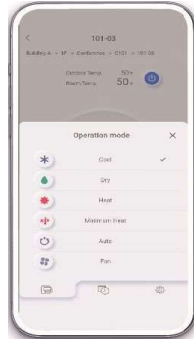
UTY-TFSXH4 AIRSTAGE Mobile WiFi Module (Wall Mount Indoor Unit / USB Type)

SAMPLE SCREENS

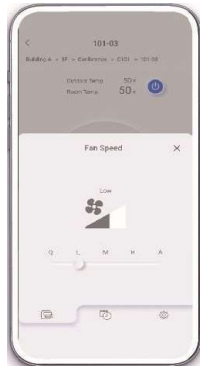
Home Screen (On/Off, Change Setpoint)



Change Operation Mode



Airflow Setting



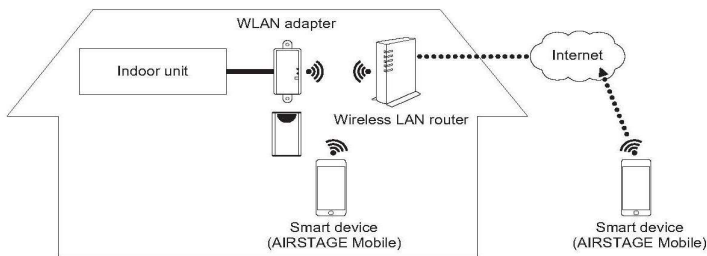
Weekly Timer



FEATURE COMPARISON

	AIRSTAGE Mobile	FLair
EQUIPMENT		
Compatible product lines	J-, V-, H-Series	J-, V-, H-Series
Max number of IDU per account	50	24
GUI		
User access levels	✓	✗
QR Code for simple registration	✓	✗
Voice control (Alexa, Google Home)	✓	✓
Multi-language support	✓ ¹	✓ ¹
FUNCTIONS		
Operation – On/Off	✓	✓
Operation Mode	✓	✓
Temperature Setpoint	✓	✓
Fan Speed	✓	✓
Air Flow Direction	✓ ²	✓ ²
Weekly Timer	✓	✓
Group control (On/Off, Setpoint)	✓	✗
Economy operation	✓	✓
Human Sensor for Energy Saving operation	✓	✓
Energy Saving Fan operation	✓	✓
Outdoor unit low noise operation	✓	✓
Powerful operation	✓	✓
Minimum Heat	✓	✓
Filter Status and Reset	✓	✓
Error monitoring and history	✓	✓
Error notification	✗	✓
Direct Mode control (no access point)	✓	✗
Over-the-air updates	✓	✓
MONITORING		
Room Temperature Display	✓	✓ ³
Outdoor Air Temperature Display	✓	✓
Special State monitoring	✓	✓
Service contact information	✓	✓
1. For North American Market, English, Spanish, and French are available		
2. Function varies by IDU model		
3. UTY-TFSXF1, UTY-TFSXZ2 adapters only		

SYSTEM DIAGRAM



Note: One adapter is required for each indoor unit.