



# CITY MULTI

## Air Conditioners For Building Application INDOOR UNIT PLFY-L·NFMU-A Series

For use with the R454B  
A utiliser avec le R454B  
Para utilizar con el R454B

English is original.

### INSTALLATION MANUAL

FOR INSTALLER

For safe and correct use, please read this installation manual thoroughly before installing the air-conditioner unit.

L'anglais est  
l'original.

### MANUEL D'INSTALLATION

POUR L'INSTALLATEUR

Veuillez lire le manuel d'installation en entier avant d'installer ce climatiseur pour éviter tout accident et vous assurer d'une utilisation correcte.

El idioma original del  
documento es el inglés.

### MANUAL DE INSTALACIÓN

PARA EL INSTALADOR

Para un uso seguro y correcto, lea detalladamente este manual de instalación antes de montar la unidad de aire acondicionado.

English

Français

Español

# Contents





1. Safety precautions.....	1	4. Electrical work .....	7
2. Installing the indoor unit .....	2	5. Installing the grille.....	14
3. Refrigerant pipe and drain pipe.....	5	6. Test run.....	20


**Note:**  
The phrase "Wired remote controller" in this installation manual refers to the PAR-42MAAUB.  
If you need any information for the other remote controller, please refer to either the installation manual or initial setting manual which are included in these boxes.

## 1. Safety precautions

- ▶ Before installing the unit, make sure you read all the "Safety precautions".
- ▶ Please report to your supply authority or obtain their consent before connecting this equipment to the power supply system.









### MEANINGS OF SYMBOLS DISPLAYED ON THE UNIT


	<b>WARNING</b> (Risk of fire)	This unit uses a flammable refrigerant. If the refrigerant leaks and comes in contact with fire or a heating part, it will create a harmful gas and there is a risk of fire.
		Read the OPERATION MANUAL carefully before operation.
		Service personnel are required to carefully read the OPERATION MANUAL and INSTALLATION MANUAL before operation.
		Further information is available in the OPERATION MANUAL, INSTALLATION MANUAL, and the like.


 **Warning:**  
Describes precautions that must be observed to prevent danger of injury or death to the user.

 **Caution:**  
Describes precautions that must be observed to prevent damage to the unit.

After installation work has been completed, explain the "Safety precautions," use, and maintenance of the unit to the customer according to the information in the Operation Manual and perform the test run to ensure normal operation. Both the Installation Manual and Operation Manual must be given to the user for keeping. These manuals must be passed on to subsequent users.

-  : Indicates an action that must be avoided.
-  : Indicates that important instructions must be followed.
-  : Indicates a part which must be grounded.
-  : Indicates that caution should be taken with rotating parts.
-  : Indicates that the main switch must be turned off before servicing.
-  : Beware of electric shock.
-  : Beware of hot surface.
-  ELV: At servicing, please shut down the power supply for both the Indoor and Outdoor Unit.

 **Warning:**  
Carefully read the labels affixed to the main unit.  
Install the indoor unit at least 2.5 m (8 ft) above floor or grade level.  
For appliances not accessible to the general public.

-  **Warning:**
- Ask the dealer or an authorized technician to install the air conditioner.
  - The user should never attempt to repair the unit or transfer it to another location.
  - Install the unit at a place that can withstand its weight.
  - Do not alter the unit. It may cause fire, electric shock, injury or water leakage.
  - The unit must be securely installed on a structure that can sustain its weight.
  - Use only specified cables for wiring. The wiring connections must be made securely with no tension applied on the terminal connections. Also, never splice the cables for wiring (unless otherwise indicated in this document). Failure to observe these instructions may result in overheating or a fire.
  - Use only accessories authorized by Mitsubishi Electric and ask the dealer or an authorized technician to install them.
  - Do not touch the heat exchanger fins.
  - Install the air conditioner according to this Installation Manual.
  - Have all electric work done by a licensed electrician according to local regulations.
  - Do not use intermediate connection of electric wires.
  - The appliance shall be installed in accordance with national wiring regulations.
  - If the supply cord is damaged, it must be replaced by the manufacturer, its service agent or similarly qualified persons in order to avoid a hazard.
  - If the air conditioner is installed in a small room, measures must be taken to prevent the refrigerant concentration from exceeding the safety limit even if the refrigerant should leak.
  - The cut face punched parts may cause injury by cut, etc. The installers are requested to wear protective equipment such as gloves, etc.
  - When installing or relocating, or servicing the air conditioner, use only the specified refrigerant (R454B) to charge the refrigerant lines. Do not mix it with any other refrigerant and do not allow air to remain in the lines. If air is mixed with the refrigerant, then it can be the cause of abnormal high pressure in the refrigerant line, and may result in an explosion and other hazards.

- The use of any refrigerant other than that specified for the system will cause mechanical failure or system malfunction or unit breakdown. In the worst case, this could lead to a serious impediment to securing product safety.
- Exercise caution when using any auxiliary heat source and follow all third party manufacturer instructions and safety guidelines for installation and usage.
  - Any auxiliary heat source connected to this unit via the CN24 connection must have an independent temperature control mechanism. Failure to install and maintain such temperature control mechanism may void the warranty for this unit.  
Mitsubishi Electric shall not bear any warranty obligation or other liability for any damage or loss in connection with such third party auxiliary heaters.
  - Do not use means to accelerate the defrosting process or to clean, other than those recommended by the manufacturer.
  - The appliance shall be stored in a room without continuously operating ignition sources (for example: open flames, an operating gas appliance or an operating electric heater).
  - Do not pierce or burn.
  - Be aware that refrigerants may not contain an odour.
  - Pipe-work shall be protected from physical damage.
  - The installation of pipe-work shall be kept to a minimum.
  - Compliance with national gas regulations shall be observed.
  - Keep any required ventilation openings clear of obstruction.
  - Do not discharge the refrigerant into the atmosphere. If refrigerant leaks during installation, ventilate the room. Check that the refrigerant does not leak after installation has been completed.

# 1. Safety precautions

- If refrigerant leaks and comes in contact with fire or heating part of such a fan heater, kerosene heater, or cooking stove, it will create harmful gas.
- When using a gas burner or other flame-producing equipment, completely remove all of the refrigerant from the air conditioner and ensure that the area is well-ventilated.
- If the refrigerant leaks and comes in contact with fire or heating part, it will create harmful gas and there is risk of fire.
- To avoid risk of fire, embed or protect the refrigerant piping. External damage on the refrigerant piping can be cause of fire.

**⚠ Caution:**

- Do not use the existing refrigerant piping.
- Do not use the air conditioner where food, pets, plants, precision instruments, or artwork are kept.
- Do not use the air conditioner in special environments.
- Ground the unit.
- Install an leak circuit breaker, as required.
- Use power line cables of sufficient current carrying capacity and rating.
- Use only a circuit breaker and fuse of the specified capacity.
- Do not touch the switches with wet fingers.
- Do not touch the refrigerant pipes during and immediately after operation.
- Do not operate the air conditioner with the panels and guards removed.
- Do not turn off the power immediately after stopping operation.
- If the unit is run for long hours when the air above the ceiling is at high temperature/high humidity (dew point above 26 °C, 79 °F), dew condensation may be produced in the indoor unit or the ceiling materials. When operating the units in this condition, add insulation material (10 to 20 mm, 25/64 to 15/32 in.) to the entire surface of the unit and ceiling materials to avoid dew condensation.
- When using aerosol sprays for interior construction, finishing work, or sealing the piping penetration, turn off the breaker and ventilate the room. The gas in the sprays may cause false detection and nuisance trips of the refrigerant leak detector.

# 2. Installing the indoor unit

Refer to the outdoor unit installation manual.

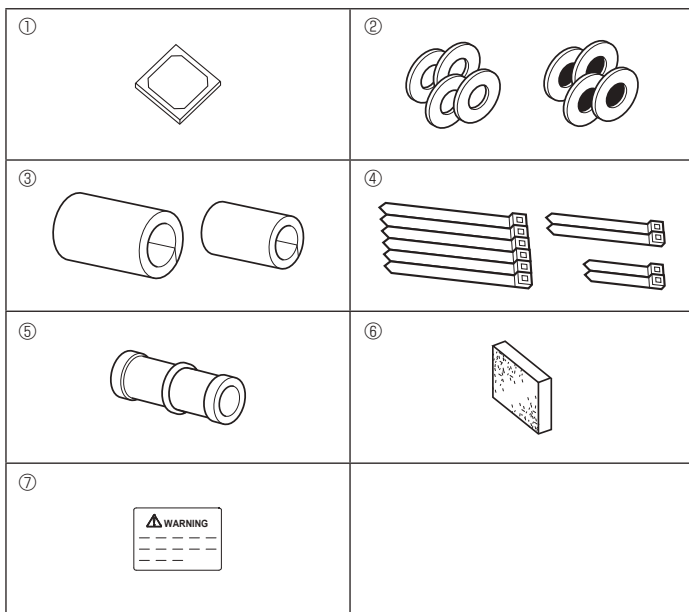


Fig. 2-1

## 2.1. Check the indoor unit accessories (Fig. 2-1)

The indoor unit should be supplied with the following accessories.

	Accessory name	Q'ty
①	Installation template	1
②	Washers (with insulation) Washers (without insulation)	4 4
③	Pipe cover (for refrigerant piping joint) small diameter (liquid) large diameter (gas)	1 1
④	Band (large) Band (middle) Band (small) * Use only one.	6 2 2
⑤	Drain socket	1
⑥	Insulation	1
⑦	Breaker label	1

## 2. Installing the indoor unit

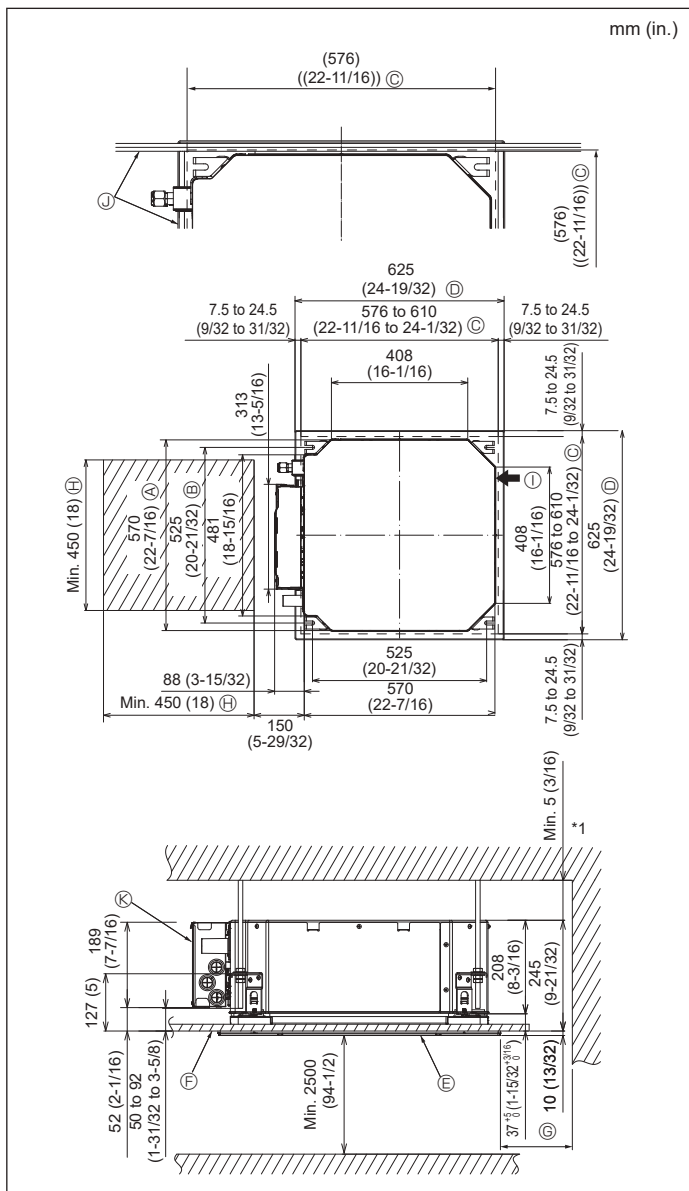


Fig. 2-2

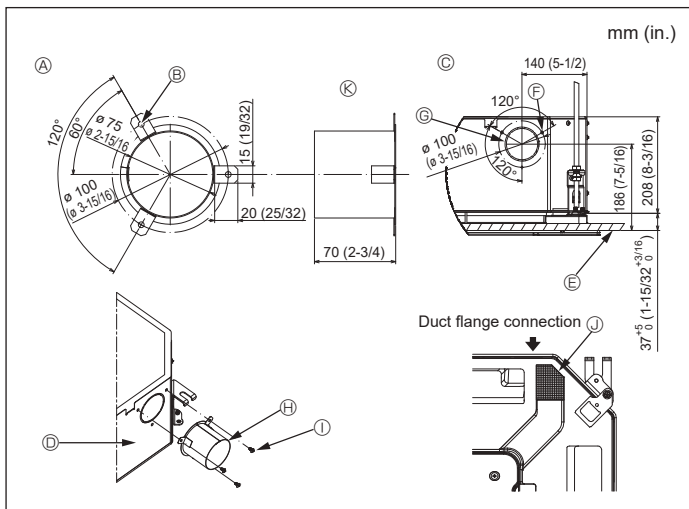


Fig. 2-3

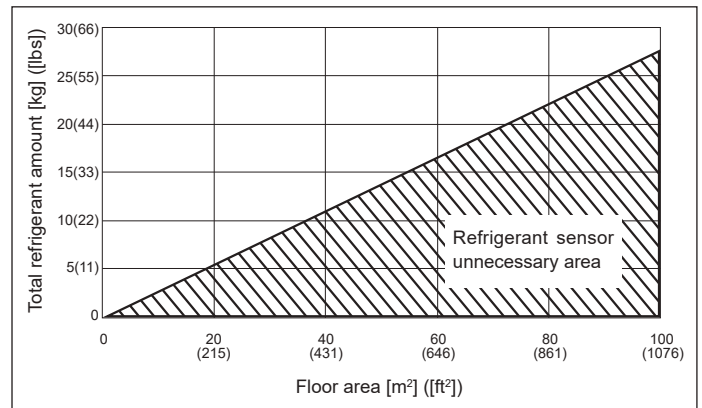
## 2.2. Ceiling openings and suspension bolt installation locations (Fig. 2-2)

- Using the installation template and the gauge (supplied as an accessory with the grille), make an opening in the ceiling so that the main unit can be installed as shown in the diagram. (The method for using the template and the gauge are shown.)
  - Before using, check the dimensions of template and gauge, because they change due to fluctuations of temperature and humidity.
  - The dimensions of ceiling opening can be regulated within the range shown in following diagram; so center the main unit against the opening of ceiling, ensuring that the respective opposite sides on all sides of the clearance between them becomes identical.
- Use M10 (3/8") suspension bolts.
  - Suspension bolts are to be procured at the field.
- Install securely, ensuring that there is no clearance between the ceiling panel & grille, and between the main unit & grille.

- |                           |   |
|---------------------------|---|
| Ⓐ Outer side of main unit | Ⓒ Min. 500 mm (20 in.) (Entire periphery)   |
| Ⓑ Bolt pitch              | If setting the maintenance space for Ⓒ, be sure to leave is a minimum of 700 mm (28 in.). |
| Ⓓ Ceiling opening         | Ⓗ Maintenance space   |
| Ⓔ Outer side of Grille    | Ⓘ Fresh air intake  |
| Ⓕ Grille                  | Ⓚ Angle   |
| Ⓖ Ceiling                 | Ⓛ Electric component box  |

\* Leave the maintenance space at the electric component box end.

\*1 When installing in an existing ceiling unit location or applying additional heat insulation, ensure a minimum space of 25 mm (1 in.).



If  $M/A \leq 0.27$ , the refrigerant sensor can be disabled by disconnecting the CNSB connector on the control board.

M: Total refrigerant amount [kg] ([lbs])  
A: Floor area [m<sup>2</sup>] ([ft<sup>2</sup>])

Caution: Do not disconnect the CNSB connector in an environment where  $M/A \geq 0.27$ .

If a refrigerant leak occurs with the refrigerant sensor disabled, the safety device will not be able to operate.

## 2.3. Installation of duct (in case of fresh air intake) (Fig. 2-3)

**⚠ Caution:**

**Linkage of duct fan and air conditioner**

In case that a duct fan is used, be sure to make it linked with the air conditioner when outside air is taken.

Do not run the duct fan only. It can cause dew drop.

**Making a duct flange (prepared locally)**

The shape of duct flange shown left is recommended.

**Installation of duct flange**

Cut out the cutout hole. Do not knock it out.

Install a duct flange to the cutout hole of the indoor unit with three 4 × 10 tapping screws which should be prepared locally.

**Installation of duct (should be prepared locally)**

Prepare a duct of which inner diameter fits into the outer diameter of the duct flange.  
In case that the environment above the ceiling is high temperature and high humidity, wrap the duct in a heat insulate to avoid causing dew drop on the wall.

**Remove the drain pan insulation.**

- |  |   |
|--|---|
| Ⓐ Duct flange recommended shape (Thickness: 0.8 mm (1/32 in.) or more) | Ⓕ 3-Tapping screw hole                    |
| Ⓑ 3-ø5 mm (3/16 in.) hole  | Ⓖ ø73.4 mm (2-7/8 in.) cutout hole        |
| Ⓒ Detail drawing of fresh air intake                                   | Ⓗ Duct flange (Prepared locally)          |
| Ⓓ Indoor unit  | Ⓘ 4 × 10 Tapping screw (Prepared locally) |
| Ⓔ Ceiling surface  | Ⓚ Insulation                              |

## 2. Installing the indoor unit

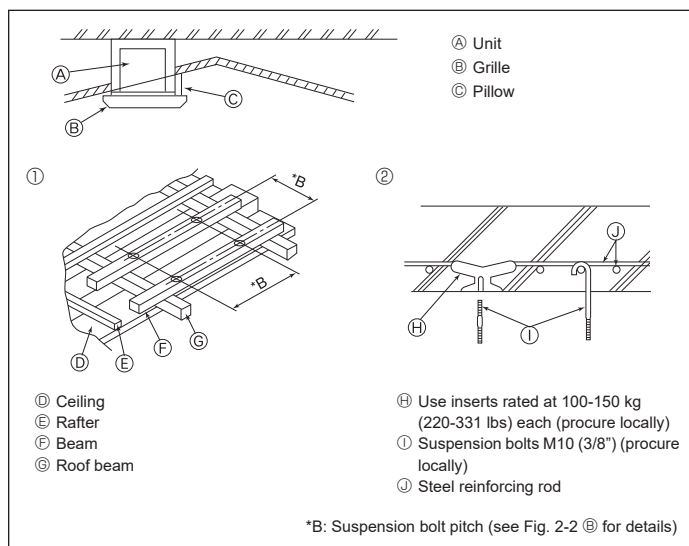


Fig. 2-4

### 2.4. Suspension structure (Give site of suspension strong structure) (Fig. 2-4)

The ceiling work differs according to the construction of the building. Building constructors and interior decorators should be consulted for details.

(1) Extent of ceiling removal: The ceiling must be kept completely horizontal and the ceiling foundation (framework: wooden slats and slat holders) must be reinforced in order to protect the ceiling from vibration.

(2) Cut and remove the ceiling foundation.

(3) Reinforce the ends of the ceiling foundation where it has been cut and add ceiling foundation for securing the ends of the ceiling board.

(4) When installing the unit on a slanting ceiling, interlock a pillow between the ceiling and the grille and set so that the unit is installed horizontally.

① Wooden structures

• Use tie beams (single storied houses) or second floor beams (two story houses) as reinforcing members.

• Wooden beams for suspending air conditioners must be sturdy and their sides must be at least 6 cm (2-3/8 in.) long if the beams are separated by not more than 90 cm (36 in.) and their sides must be at least 9 cm (3-9/16 in.) long if the beams are separated by as much as 180 cm (71 in.). The size of the suspension bolts should be  $\phi 10$  (3/8"). (The bolts do not come with the unit.)

② Ferro-concrete structures

Secure the suspension bolts using the method shown, or use steel or wooden hangers, etc. to install the suspension bolts.

### 2.5. Unit suspension procedures (Fig. 2-5)

Suspend the main unit as shown in the diagram.

1. In advance, set the parts onto the suspension bolts in the order of the washers (with insulation), washers (without insulation) and nuts (double).

• Fit the washer with cushion so that the insulation faces downward.

• In case of using upper washers to suspend the main unit, the lower washers (with insulation) and nuts (double) are to be set later.

2. Lift the unit to the proper height of the suspension bolts to insert the mounting plate between washers and then fasten it securely.

3. When the main unit can not be aligned against the mounting hole on the ceiling, it is adjustable owing to a slot provided on the mounting plate. (Fig. 2-6)

• Make sure that step A is performed within 37 to 42 mm (1-15/32 to 1-21/32 in.). Damage could result by failing to adhere to this range.

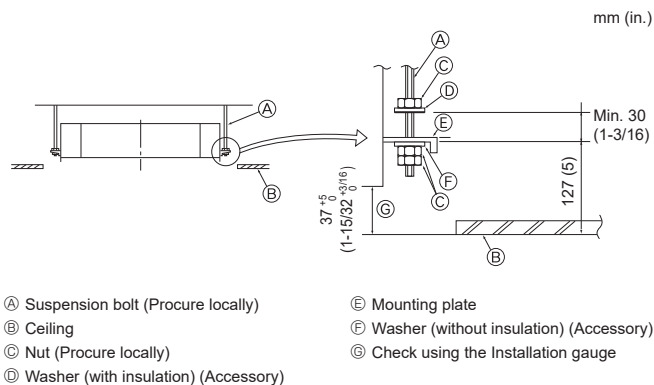


Fig. 2-5

### 2.6. Confirming the position of main unit and tightening the suspension bolts (Fig. 2-7)

Using the gauge attached to the grille, ensure that the bottom of the main unit is properly aligned with the opening of the ceiling. Be sure to confirm this, otherwise condensation may form and drip due to air leakage etc.

Confirm that the main unit is horizontally levelled, using a level or a vinyl tube filled with water.

After checking the position of the main unit, tighten the nuts of the suspension bolts securely to fasten the main unit.

The installation template can be used as a protective sheet to prevent dust from entering the main unit when the grilles are left unattached for a while or when the ceiling materials are to be lined after installation of the unit is finished.

\* As for the details of fitting, refer to the instructions given on the Installation template.

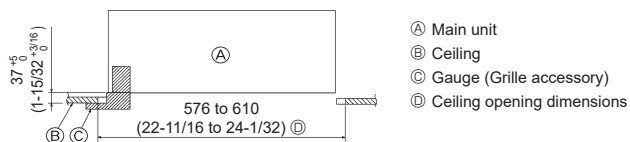


Fig. 2-6

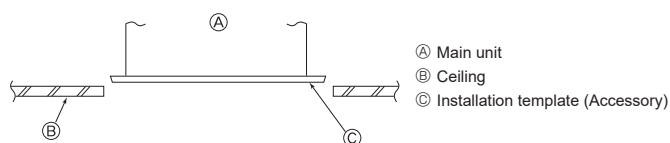


Fig. 2-7

### 3. Refrigerant pipe and drain pipe

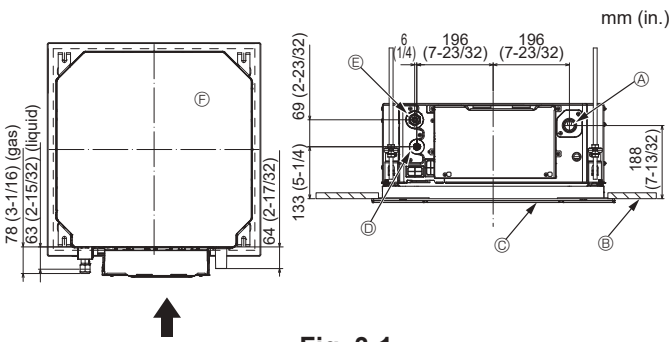


Fig. 3-1

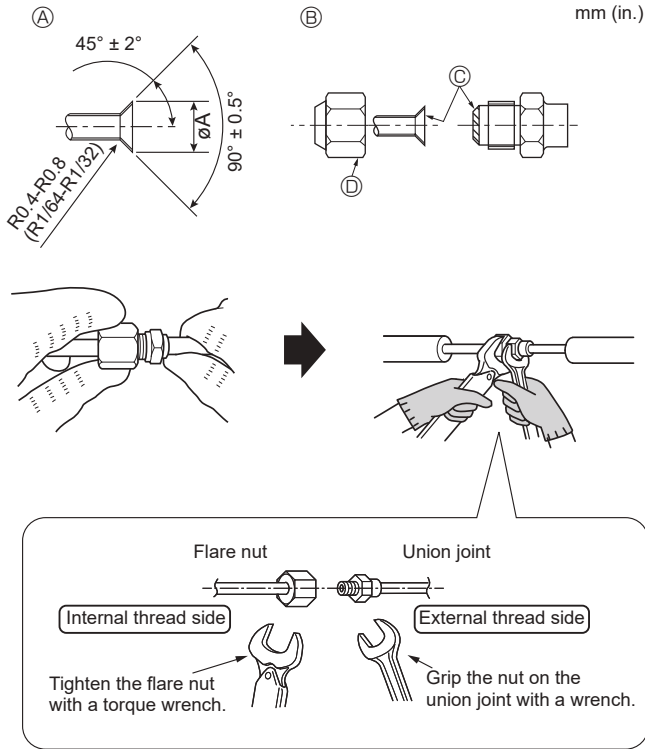


Fig. 3-2

#### 3.1. Refrigerant and drainage piping locations of indoor unit (Fig. 3-1)

- Ⓐ Drain pipe
- Ⓑ Ceiling
- Ⓒ Grille
- Ⓓ Refrigerant pipe (liquid)
- Ⓔ Refrigerant pipe (gas)
- Ⓕ Main unit

#### 3.2. Connecting pipes (Fig. 3-2)

- When commercially available copper pipes are used, wrap liquid and gas pipes with commercially available insulation materials (heat-resistant to 100 °C, 212 °F or more, thickness of 12 mm (15/32 in.) or more).
- The indoor parts of the drain pipe should be wrapped with polyethylene foam insulation materials (specific gravity of 0.03, thickness of 9 mm (11/32 in.) or more).
- Apply thin layer of refrigerant oil to pipe and joint seating surface before tightening flare nut.
- For connection, first align the center, then tighten the first 3 to 4 turns of flare nut by hand.
- Use two wrenches to tighten piping connections.
- Use refrigerant piping insulation provided to insulate indoor unit connections. Insulate carefully.
- After connecting the refrigerant piping to the indoor unit, be sure to test the pipe connections for gas leakage with nitrogen gas. (Check that there is no refrigerant leakage from the refrigerant piping to the indoor unit.)
- Use flared nut installed to this indoor unit.
- In case of reconnecting the refrigerant pipes after detaching, make the flared part of pipe re-fabricated.

#### ⚠ Warning:

- Be careful of flying flare nut! (Internally pressurized)  
Remove the flare nut as follows:
  1. Loosen the nut until you hear a hissing noise.
  2. Do not remove the nut until the gas has been completely released (i.e., hissing noise stops).
  3. Check that the gas has been completely released, and then remove the nut.
- When installing the unit, securely connect the refrigerant pipes before starting the compressor.

#### ⚠ Caution:

- To reduce the risk of failures of the compressor or valves, follow the instructions below to prevent abrasive components contained in sandpaper or cutting tools from entering the refrigerant circuit.
- To deburr pipes, use a reamer or other deburring tools, not sandpaper or sanding tools that use abrasive materials.
  - To cut pipes, use a pipe cutter, not a grinder or other tools that use abrasive materials.
  - When cutting or deburring pipes, do not allow cutting chips or other foreign matters to enter the pipes.
  - If cutting chips or other foreign matters entered pipes, wipe inside the pipes to remove them.

#### Ⓐ Flare cutting dimensions

Copper pipe O.D. (mm, in.)	Flare dimensions øA dimensions (mm, in.)
ø6.35, 1/4	8.7 to 9.1, 11/32 to 23/64
ø12.7, 1/2	16.2 to 16.6, 5/8 to 21/32

#### Ⓑ Refrigerant pipe sizes & Flare nut tightening torque

	R454B				Flare nut O.D.	
	Liquid pipe		Gas pipe		Liquid pipe (mm, in.)	Gas pipe (mm, in.)
	Pipe size (mm, in.)	Tightening torque (N·m, ft·lbs)	Pipe size (mm, in.)	Tightening torque (N·m, ft·lbs)		
L05/08/12/15/18	ODø6.35, 1/4	14 to 18, 10 to 13	ODø12.7, 1/2	49 to 61, 36 to 45	17, 21/32	26, 1-1/32

- Ⓒ Apply refrigerating machine oil over the entire flare seat surface.  
\* Do not apply refrigerating machine oil to the screw portions.  
(This will make the flare nuts more apt to loosen.)
- Ⓓ Be certain to use the flare nuts that are attached to the main unit.  
(Use of commercially-available products may result in cracking.)

### 3. Refrigerant pipe and drain pipe

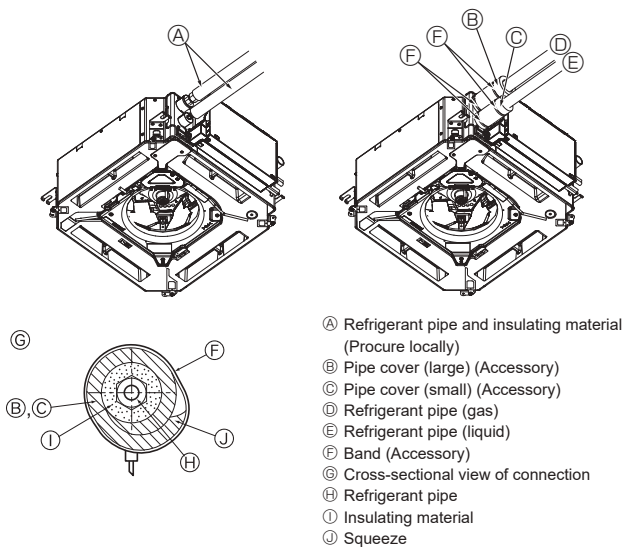


Fig. 3-3

### 3.3. Indoor unit (Fig. 3-3)

#### Heat insulation for refrigerant pipes:

- ① Wrap the enclosed large-sized pipe cover around the gas pipe, making sure that the end of the pipe cover touches the side of the unit.
  - ② Wrap the enclosed small-sized pipe cover around the liquid pipe, making sure that the end of the pipe cover touches the side of the unit.
  - ③ Secure both ends of each pipe cover with the enclosed bands. (Attach the bands 20 mm (25/32 in.) from the ends of the pipe cover.)  
Make sure that the slit in the pipe cover is facing upward when it is installed.
- After connecting the refrigerant piping to the indoor unit, be sure to test the pipe connections for gas leakage with nitrogen gas. (Check that there is no refrigerant leakage from the refrigerant piping to the indoor unit.)

After charging the refrigerant into the indoor unit, please write the date in the "DATE OF FIRST CHARGE" column on the name plate.

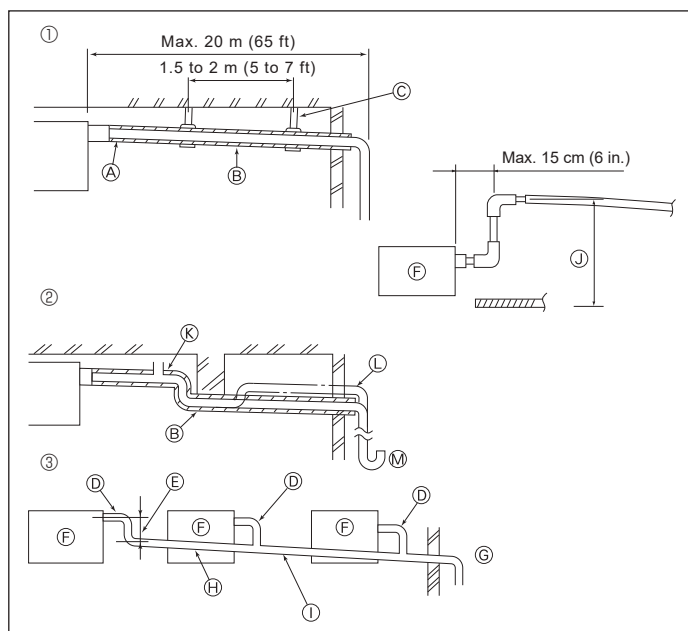


Fig. 3-4

### 3.4. Drainage piping work (Fig. 3-4)

- Use VP25 (O.D. ø32 mm (1-1/4 in.) PVC TUBE) for drain piping and provide 1/100 or more downward slope.
- Be sure to connect the piping joints using a polyvinyl type adhesive.
- Observe the figure for piping work.

- ① Correct piping
  - ② Wrong piping
    - Do not place an air bleeder. It may cause overflowing of drainage, ☒
    - Do not place a raised pipe on the piping, ☑
    - Do not place odor traps on the piping, ☓
  - ③ Grouped piping
- Use the included drain hose to change the extraction direction.
    - Ⓐ Insulation (9 mm (11/32 in.) or more)
    - Ⓑ Downward slope (1/100 or more)
    - Ⓒ Support metal
    - Ⓓ Air bleeder
    - Ⓔ Raised
    - Ⓕ Odor trap
    - Ⓖ O.D. ø32 mm (1-1/4 in.) PVC TUBE
    - Ⓗ Make it as large as possible
    - Ⓘ Indoor unit
    - Ⓚ Make the piping size large for grouped piping.
    - Ⓛ Downward slope (1/100 or more)
    - Ⓞ O.D. ø38 mm (1-1/2 in.) PVC TUBE for grouped piping. (9 mm (11/32 in.) or more insulation)
    - Ⓜ Up to 850 mm (33 in.)

1. Connect the drain socket (supplied with the unit) to the drain port. (Fig. 3-5) (Affix the tube using PVC adhesive then secure it with a band.)
2. Install a locally purchased drain pipe (PVC pipe, O.D. ø32 mm (1-1/4 in.)). (Affix the pipe using PVC adhesive then secure it with a band.)
3. Insulate the tube and pipe. (PVC pipe, O.D. ø32 mm (1-1/4 in.) and socket)
4. Check that drain flows smoothly.
5. Insulate the drain port with insulating material, then secure the material with a band. (Both insulating material and band are supplied with the unit.)

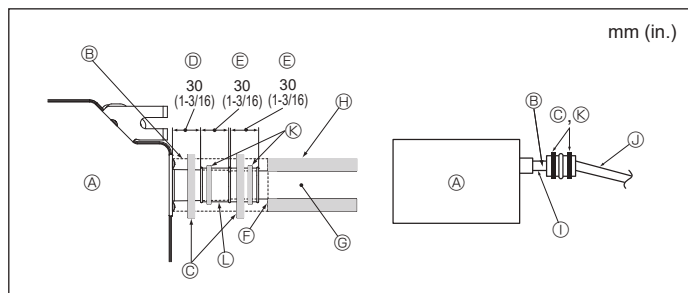


Fig. 3-5

- Ⓐ Unit
- Ⓑ Insulating material
- Ⓒ Band (large)
- Ⓓ Drain port (transparent)
- Ⓔ Insertion margin
- Ⓕ Matching
- Ⓖ Drain pipe (O.D. ø32 mm (1-1/4 in.) PVC TUBE)
- Ⓛ Insulating material (purchased locally)
- Ⓞ Transparent PVC pipe
- Ⓜ O.D. ø32 mm (1-1/4 in.) PVC TUBE (Slope 1/100 or more)
- Ⓨ Band (middle)
- Ⓦ Drain socket

en

## 4. Electrical work

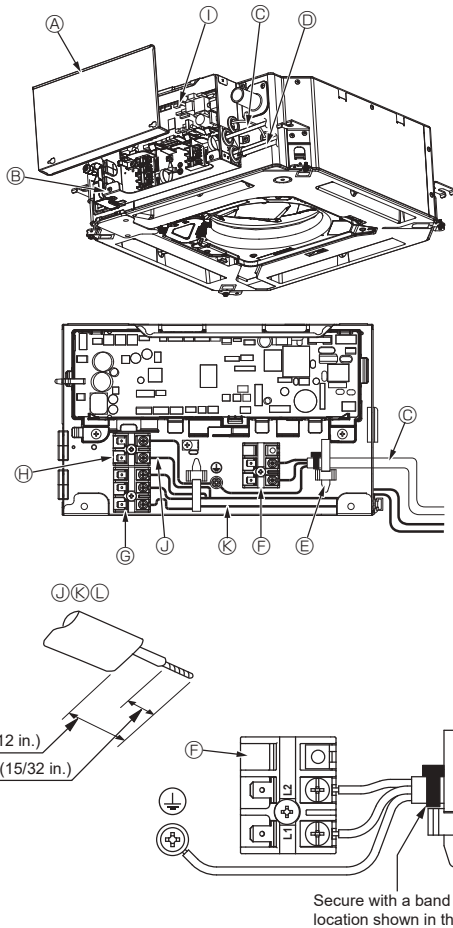


Fig. 4-1

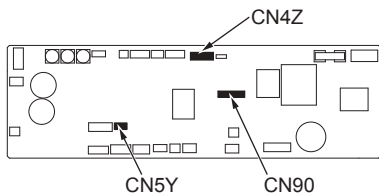


Fig. 4-2

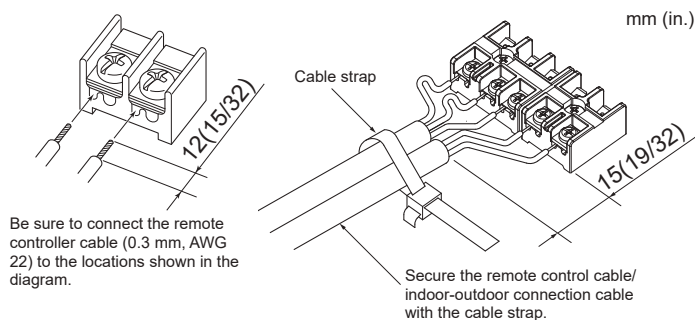


Fig. 4-3

### 4.1. Caution

1. Follow ordinance of your governmental organization for technical standard related to electrical equipment, wiring regulations and guidance of each electric power company.
2. Wiring for control (hereinafter referred to as transmission line) shall be (5 cm or more) apart from power source wiring so that it is not influenced by electric noise from power source wiring. (Do not insert transmission line and power source wire in the same conduit.)

### 4.2. Indoor unit (Fig. 4-1, Fig. 4-2, Fig. 4-3)

1. Loosen the two screws securing the electric component cover, and then slide and remove the cover.
2. Route each cable through the wiring intake into the electric component box. (Procure power supply cable and control cable locally.)
3. Securely connect the power supply cable and control cable to the terminal blocks.
4. Secure the wires with the cable straps inside the electric component box. Secure the wires with cable straps as cushioning components so that no stress is applied to the connecting sections of the terminal block when tension is generated.
5. Attach the electric component cover as it was.
  - Do not allow slackening of the terminal screws.
  - Always install earth. (Earth cable dia: Thicker than 1.6 mm (1/16 in.))
  - Fix power supply cable and control cable to electric component box by using buffer bushing for tensile force. (PG connection or the like.)
  - Tape is affixed over the conduit hole used for connecting the electric wiring. Please remove this tape if making a connection through the hole.

- |   |  |
|---|--|
| Ⓐ Electric component cover                              | Ⓔ Transmission terminals (M1, M2, S)   |
| Ⓑ Electric component box                                | Ⓕ MA Remote controller terminal (1, 2) |
| Ⓒ Entry for power supply cable                          | Ⓖ Indoor controller                    |
| Ⓓ Entry for remote control cable and transmission cable | Ⓗ Remote control cable                 |
| Ⓔ Cable clamp   | Ⓙ Transmission cable                   |
| Ⓕ Power supply terminals (L1, L2)                       | Ⓚ Power supply cable                   |

#### ⚠ Caution:

- Before installing the grille, make sure that the junction cable is connected.
- If the grille has signal receiver or i-see Sensor, the pack of grille includes junction cables.

- When using the panel with wireless signal receiver or i-see Sensor, install wireless junction cable for connecting with the cable from the panel through the following steps before installing the main unit.

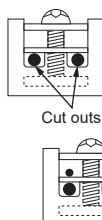
Signal receiver: CN90  
 i-see Sensor: CN5Y  
 i-see Sensor motor: CN4Z

#### ⚠ Warning:

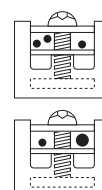
- Insert hook the electric component cover into the bent support on the electric component box and attach the cover securely. If it is attached incorrectly, it could result in a fire, electric shock due to dust, water, etc.
- Use the specified indoor/outdoor unit connecting cable to connect the indoor and outdoor units and fix the cable to the terminal block securely so that no stress is applied to the connecting section of the terminal block. Incomplete connection or fixing of the cable could result in a fire.

<When wiring two indoor-outdoor connection cables>

- If the cables have the same diameter, insert them into the cut outs on both sides.
- If the cables have different diameters, insert them on one side into separate spaces with one cable positioned above the other.



⚠ WARNING



- Connecting two wires on one side is prohibited.
- Connecting three wires or more to the same terminal is prohibited.
- Connecting wires with different diameters is prohibited.

When using a solid wire, a round crimped terminal or other terminal work is prohibited.

## 4. Electrical work

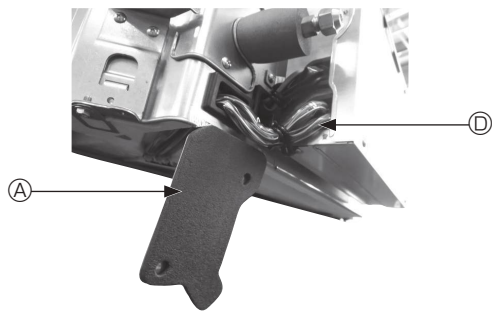


Fig. 4-4

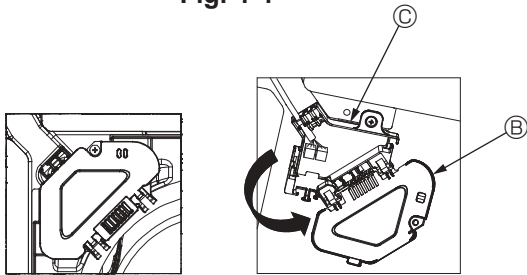


Fig. 4-5

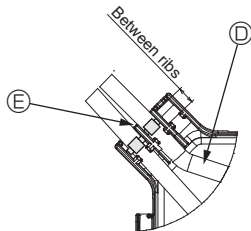


Fig. 4-6

### 4.2.1. Installing the i-see Sensor and signal receiver

Before installing the grille, connect the junction wires included with the grille accessories and place them in the connector box.

- ① Remove the two screws securing the wire cover of the main unit, and then open the cover.
- ② Route the wires of the i-see Sensor and signal receiver through the wire inlets in the electric component box as shown in the diagram and around the bushings on the side of the main unit. (Fig. 4-4)  
When routing the wires, open the clamp securing the grille junction wire, and then secure the grille junction wire and the wires of the i-see Sensor and signal receiver with the clamp.
- ③ Remove the one screw securing the connector box cover, and then open the cover (Fig. 4-5)
- ④ Place the junction wire connector in the connector box.
- ⑤ Install the wire cover and connector box cover.

#### ⚠ Caution:

**When installing the covers, make sure that the wires do not get pinched. Fit the band securing the junction wires between the ribs on the connector box as shown in the diagram. (Fig. 4-6)**

- Ⓐ Wire cover
- Ⓑ Connector box cover
- Ⓒ Connector box
- Ⓓ i-see Sensor or signal receiver lead wire (Grille accessory)
- Ⓔ Band

## 4. Electrical work

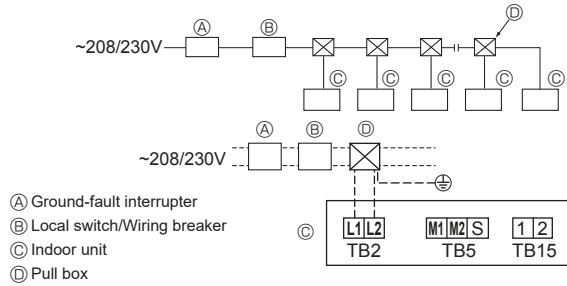


Fig. 4-7

### 4.3. Power supply wiring (Fig. 4-7)

- Wiring size must comply with the applicable local and national codes.
- Use copper supply wires.  
Use UL wires rated 300 V or more for the power supply cords.
- Power supply cable of appliance shall not be lighter than design 245 IEC 53 or 227 IEC57, 245 IEC 53 or 227 IEC 53.
- Install an earth line longer than other cables.
- A switch with at least 3 mm, 1/8 in. contact separation in each pole shall be provided by the air conditioner installation.
- Local switch and wiring breaker must be always ON except when being cleaned or checked. (When R454B is used)  
Attach the Breaker label , and explain it to customers.
- When the local switch or wiring breaker is OFF, the refrigerant sensor will not detect refrigerant leakage because electricity is not supplied.

**Warning:**

**Never splice the power cable or the indoor-outdoor connection cable, otherwise it may result in a smoke, a fire or communication failure.**

Total operating current of the indoor unit	Minimum wire thickness (mm <sup>2</sup> , AWG.No)			Ground-fault interrupter *1	Local switch (A)		Breaker for wiring (NFB)
	Main cable	Branch	Ground		Capacity	Fuse	
F0 = 16 A or less *2	1.5, AWG14	1.5, AWG14	1.5, AWG14	20 A current sensitivity *3	16	16	20
F0 = 25 A or less *2	2.5, AWG13	2.5, AWG13	2.5, AWG13	30 A current sensitivity *3	25	25	30
F0 = 32 A or less *2	4.0, AWG11	4.0, AWG11	4.0, AWG11	40 A current sensitivity *3	32	32	40

Apply to IEC61000-3-3 about max. permissive system impedance.

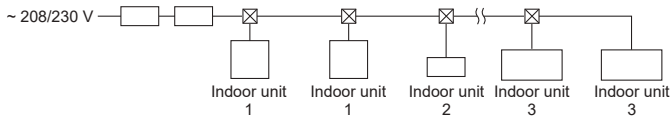
\*1 The Ground-fault interrupter should support inverter circuit.

The Ground-fault interrupter should combine using of local switch or wiring breaker.

\*2 Please take the larger of F1 or F2 as the value for F0.

F1 = Total operating maximum current of the indoor units × 1.2

F2 = {V1 × (Quantity of indoor unit 1)/C} + {V1 × (Quantity of indoor unit 2)/C} + {V1 × (Quantity of indoor unit 3)/C} + ...



• V1 and V2

V1 and V2 are the breaker coefficient.

V1: Breaker coefficient of rated current

V2: Breaker coefficient of current sensitivity

The values of V1 and V2 differ from depending on the model. Therefore, please refer to IM of each model.

• C : Multiple of tripping current at tripping time 0.01 s

Please pick up "C" from the tripping characteristic of the breaker.

	V1	V2
PLFY-NFMU	19.8	2.4

<Example of "F2" calculation>

\*Condition : PLYF-NFMU × 2 + PLYF-NEMU × 2 + PEFY-NMAU × 1

V1 of PLYF-NFMU = 19.8, V1 of PLYF-NEMU = 19.8, V1 of PEFY-NMAU = 38, C = 8 (refer to right sample chart)

$$F2 = 19.8 \times 2/8 + 19.8 \times 2/8 + 38 \times 1/8$$

$$= 14.65$$

→ 15 A breaker (Tripping current = 8 × 15 A at 0.01 s)

\*3 Current sensitivity is calculated using the following formula.

G1 = V2 × (Quantity of indoor unit 1) + V2 × (Quantity of indoor unit 2) + V2 × (Quantity of indoor unit 3)

+ ... + V3 × (Wire length [km])

<Example of "G1" calculation>

\*Condition : PLYF-NFMU × 2 + PLYF-NEMU × 2 + PEFY-NMAU × 1

V2 of PLYF-NFMU = 2.4, V2 of PLYF-NEMU = 2.4, V2 of PEFY-NMAU = 1.6, Wire thickness and length: 1.5 mm<sup>2</sup> (AWG14) 0.2 km

$$G1 = 2.4 \times 2 + 2.4 \times 2 + 1.6 \times 1 + 48 \times 0.2$$

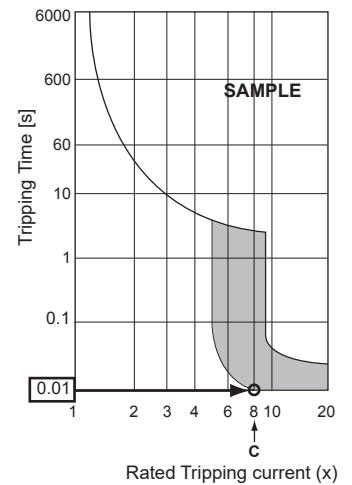
$$= 20.8$$

As a result, current sensitivity is 30 mA 0.1 sec or less.

G1	Current sensitivity
30 or less	30 mA 0.1 sec or less
100 or less	100 mA 0.1 sec or less

Wire thickness	V3
1.5 mm <sup>2</sup> , AWG14	48
2.5 mm <sup>2</sup> , AWG13	56
4.0 mm <sup>2</sup> , AWG11	66

Sample chart



## 4. Electrical work

### 4.4. Types of control cables

#### 1. Wiring transmission cables

Types of transmission cable	Shielding wire Use UL wire rated 300V
Cable diameter	More than 1.25 mm <sup>2</sup> (AWG16)
Length	Less than 200 m (656 ft)

#### 2. MA Remote control cables

Types of remote control cable	2-core cable (unshielded) Use UL wire rated 300V
Cable diameter	0.3 to 1.25 mm <sup>2</sup> (AWG22 to AWG16)
Length	Less than 200 m (656 ft)

### 4.5. Connecting remote controller, indoor and outdoor transmission cables (Fig. 4-8)

- Connect indoor unit TB5 and outdoor unit TB3. (Non-polarized 2-wire) The "S" on indoor unit TB5 is a shielding wire connection. For specifications about the connecting cables, refer to the outdoor unit installation manual.
- Install a remote controller following the manual supplied with the remote controller.
- Connect the remote controller's transmission cable within 10 m (33 ft) using a 0.75 mm<sup>2</sup> (AWG18) core cable. If the distance is more than 10 m (33 ft), use a 1.25 mm<sup>2</sup> (AWG16) junction cable.

#### ① MA Remote controller

- Connect the "1" and "2" on indoor unit TB15 to a MA remote controller. (Non-polarized 2-wire)

- DC 9 to 13 V between 1 and 2 (MA remote controller)

#### ② Wireless remote controller (When installing wireless signal receiver)

- Connect the wire of wireless signal receiver (9-pole cable) to CN90 of indoor controller board.

- To change Pair No. setting, refer to installation manual attached to wireless remote controller. (In the default setting of indoor unit and wireless remote controller, Pair No. is 0.)

Ⓐ Terminal block for indoor transmission cable

Ⓑ Terminal block for outdoor transmission cable (M1(A), M2(B), ⊕(S))

Ⓒ Remote controller

Ⓓ Wireless signal receiver

Ⓔ Wireless remote controller

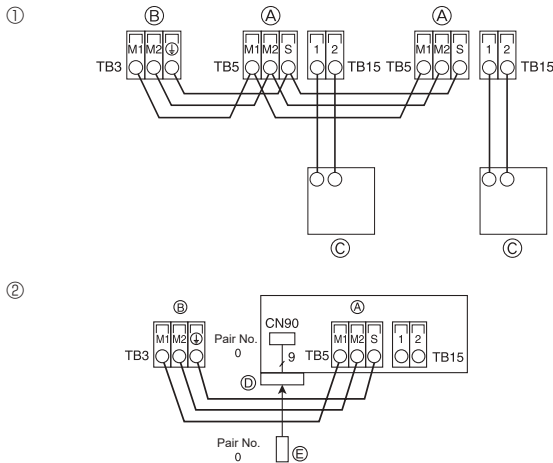


Fig. 4-8

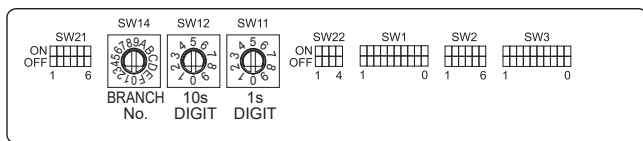


Fig. 4-9

### 4.6. Setting addresses (Fig. 4-9)

(Be sure to operate with the main power turned OFF.)

- There are two types of rotary switch setting available: setting addresses 1 to 9 and over 10, and setting branch numbers.

#### ① How to set addresses

Example: If Address is "3", remain SW12 (for over 10) at "0", and match SW11 (for 1 to 9) with "3".

#### ② How to set branch numbers SW14 (Series R2 only)

Match the indoor unit's refrigerant pipe with the BC controller's end connection number.

Remain other than series R2 at "0".

- The rotary switches are all set to "0" when shipped from the factory. These switches can be used to set unit addresses and branch numbers at will.
- The determination of indoor unit addresses varies with the system at site. Set them referring to the Data Book.

### 4.7. Sensing room temperature with the built-in sensor in a remote controller (Fig. 4-9)

If you want to sense room temperature with the built-in sensor in a remote controller, set SW1-1 on the control board to "ON". The setting of SW1-7 and SW1-8 as necessary also makes it possible to adjust the air flow at a time when the heating thermometer is OFF.

## 4. Electrical work

### 4.8. Switch setting for high ceiling (Fig. 4-9)

With this unit, the air flow rate and fan speed can be adjusted by setting the SW21-1 and SW21-2. Select a suitable setting from the table below according to the installation location.

\* Make sure the SW21-1 and SW21-2 switch are set, otherwise problems such as not getting cool/warm may occur.

	SW21-1	SW21-2	Height
Silent	–	ON	2.5 m, 8.2 ft
Standard	OFF	OFF	2.7 m, 8.9 ft : default setting
High ceiling	ON	OFF	3.0 m, 9.8 ft

### 4.9. Switch setting for i-see Sensor (Fig. 4-9)

With i-see Sensor panel, SW3-4 must be adjusted as a position of i-see Sensor. (Refer to page 18.)

	SW3-4	
Position ①	OFF	"□" stamp position
Position ③	ON	"○" stamp position : default setting

### 4.10. Switch setting for horizontal airflow direction (Fig. 4-9)

The angle of the horizontal airflow direction can be changed using SW3-5.

	SW3-5	
Draft-less	OFF	
Downward setting	ON	Default setting

### 4.11. Electrical characteristics

Symbols: MCA: Min. Circuit Amps (= 1.25×FLA) FLA: Full Load Amps  
IFM: Indoor Fan Motor Output: Fan motor rated output

Model	Power supply		IFM		
	Volts/ Hz	Range +/- 10%	MCA (A)	Output (kW)	FLA (A)
PLFY-L05NFMU-A	208/230V / 60Hz	Max.: 253V Min.: 187V	0.36	0.05	0.29
PLFY-L08NFMU-A			0.36	0.05	0.29
PLFY-L12NFMU-A			0.36	0.05	0.29
PLFY-L15NFMU-A			0.36	0.05	0.29
PLFY-L18NFMU-A			0.36	0.05	0.29

### 4.12. How to set the fixed up/down air direction (Only for wired remote controller)

- For PLYF-NFMU, only the particular outlet can be fixed to certain direction with the procedures below. Once fixed, only the set outlet is fixed every time air conditioner is turned on. (Other outlets follow UP/DOWN air direction setting of the remote controller.)

#### ■ Explanation of word

- "Address No. of indoor unit" is the number given to each air conditioner.
- "Outlet No." is the number given to each outlet of air conditioner. (Refer to the right.)
- "Up/Down air direction" is the direction (angle) to fix.



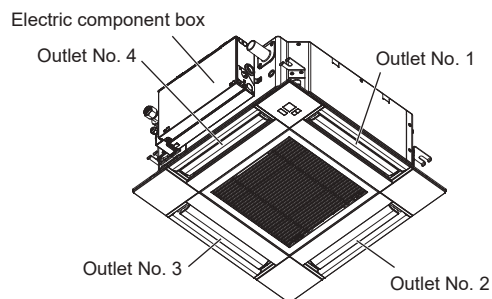
#### Remote controller setting

The airflow direction of this outlet is controlled by the airflow direction setting of remote controller.

#### Fixed setting

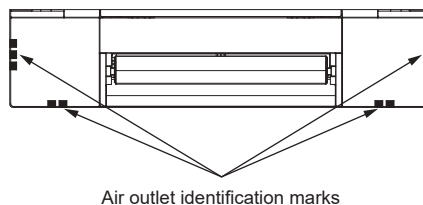
The airflow direction of this outlet is fixed in particular direction.

\* When it is cold because of direct airflow, the airflow direction can be fixed horizontally to avoid direct airflow.



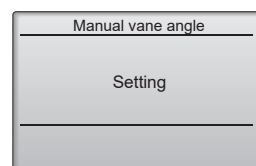
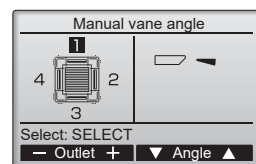
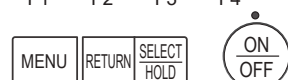
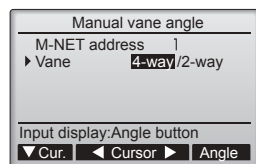
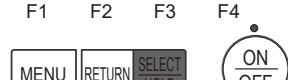
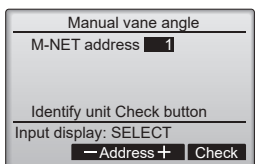
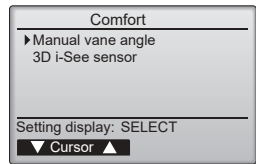
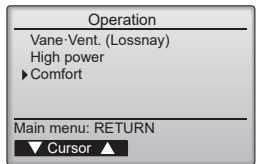
#### Note:

The outlet No. is indicated by the number of grooves on both ends of each air outlet. Set the air direction while checking the information shown on the remote controller display.



## 4. Electrical work

### Manual vane angle (Wired remote controller)



① Select "Comfort" from the Operation menu, and press the [SELECT/HOLD] button.

② Select "Manual vane angle" with the [F1] or [F2] button, and press the [SELECT/HOLD] button.

③ Select the "M-NET address" for the units to whose vanes are to be fixed, with the [F2] or [F3] button, and press the [SELECT/HOLD] button. Press the [F4] button to confirm the unit. The vane of only the target indoor unit is pointing downward.

④ Select "Vane" with the [F1] button. Select "4-way" or "2-way" with the [F2] or [F3] button, and press the [F4] button.

⑤ The current vane setting will appear. Select the desired outlets from 1 through 4 with the [F1] or [F2] button.

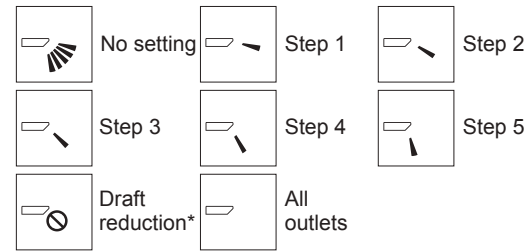
- Outlet: "1", "2", "3", "4" and "1, 2, 3, 4, (all outlets)"

Press the [F3] or [F4] button to go through the option in the order of "No setting (reset)", "Step 1", "Step 2", "Step 3", "Step 4", "Step 5" and "Draft reduction\*\*". Select the desired setting.

\* Draft reduction  
The airflow direction for this setting is more horizontal than the airflow direction for the "Step 1" setting in order to reduce a drafty feeling. The draft reduction can be set for only 1 vane.

**Note:**  
Do not set the draft reduction in an environment with high humidity. Otherwise, condensation may form and drip.

### Vane setting



Press the [SELECT/HOLD] button to save the settings. A screen will appear that indicates the setting information is being transmitted.

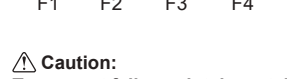
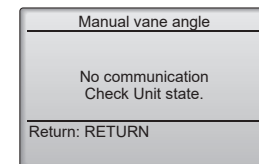
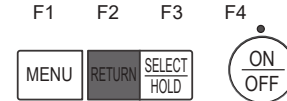
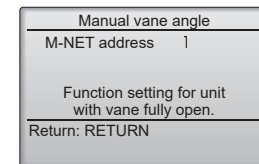
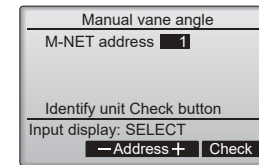
The setting changes will be made to the selected outlet. The screen will automatically return to the one shown above (step 5) when the transmission is completed.

Make the settings for other outlets, following the same procedures.

If all outlets are selected, will be displayed the next time the unit goes into operation.

Navigating through the screens  
• To return to the previous screen .....[RETURN] button

### Confirmation procedure



① Select the "M-NET address" for the units to whose vanes are to be fixed, with the [F2] or [F3] button. Press the [F4] button to confirm the unit.

② After pressing the [F4] button, wait approximately 15 seconds, and then check the current state of the air conditioner.  
→ The vane is pointing downward.  
→ This air conditioner is displayed on the remote controller.  
→ All outlets are closed. → Press the [RETURN] button and continue the operation from the beginning.  
→ The messages shown to the left are displayed. → The target device does not exist at this refrigerant address.  
• Press the [RETURN] button to return to the initial screen.

③ Change the "M-NET address" to the next number.  
• Refer to step ① to change the "M-NET address" and continue with the confirmation.

**Caution:**  
To prevent falls, maintain a stable footing when operating the unit.

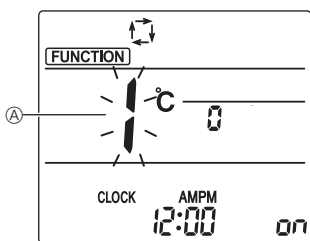
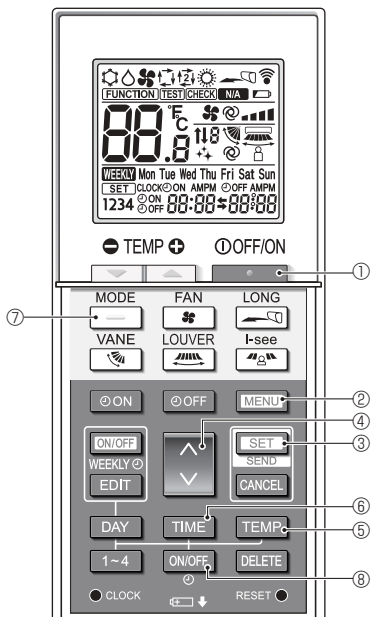


Fig. 4-10

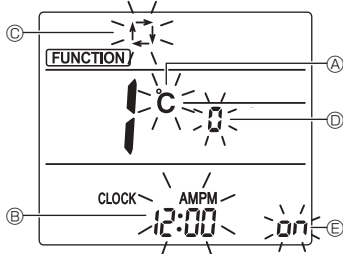


Fig. 4-11

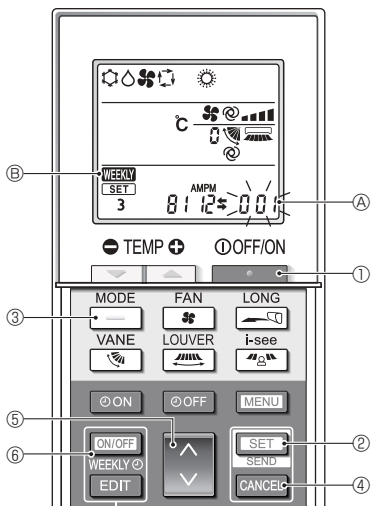


Fig. 4-12

### 4.13. Initial setting

The following settings can be made in the initial setting mode.

Item	Setting	Fig. 4-11
Temperature unit	°C/°F	Ⓐ
Time display	12-hour format/24-hour format	Ⓑ
AUTO mode	Single set point/Dual set point	Ⓒ
Pair No.	0-3	Ⓓ
Backlight	On/Off	Ⓔ

#### 4.13.1. Switching to the initial setting mode

1. Press the **STOP** button ① to stop the air conditioner.
2. Press the **MENU** button ②.

The Function setting screen will be displayed and the function No. ① will flash. (Fig. 4-10)

3. Check that function No. "1" is displayed, and then press the **SET** button ③.

The Screen display setting screen will be displayed. (Fig. 4-11)

#### 4.13.2. Changing the temperature unit (Fig. 4-11 Ⓐ)

- Press the **TEMP** button ⑤.
- Each time the **TEMP** button ⑤ is pressed, the setting switches between **°C** and **°F**.
- °C**: The temperature is displayed in degrees Celsius.
  - °F**: The temperature is displayed in degrees Fahrenheit.

#### 4.13.3. Changing the time display (Fig. 4-11 Ⓑ)

- Press the **TIME** button ⑥.
- Each time the **TIME** button ⑥ is pressed, the setting switches between **12:00<sup>AMPM</sup>** and **24:00<sup>AMPM</sup>**.
- 12:00<sup>AMPM</sup>**: The time is displayed in the 12-hour format.
  - 24:00<sup>AMPM</sup>**: The time is displayed in the 24-hour format.

#### 4.13.4. Changing the AUTO mode (Fig. 4-11 Ⓒ)

- Press the **MODE** button ⑦.
- Each time the **MODE** button ⑦ is pressed, the setting switches between **Ⓜ** and **ⓂⓂ**.
- Ⓜ**: The AUTO mode operates as the usual automatic mode.
  - ⓂⓂ**: The AUTO mode operates using dual set points.

#### 4.13.5. Changing the pair No. (Fig. 4-11 Ⓓ)

- Press the **UP** button ④.
- Each time the **UP** button ④ is pressed, the pair No. 0-3 changes.

Pair No. of wireless remote controller	Indoor PC board SW22		
	SW22-3	SW22-4	
0	ON	ON	Initial setting
1	OFF	ON	
2	ON	OFF	
3	OFF	OFF	

#### 4.13.6. Changing the backlight setting Ⓔ

- Press the **ON/OFF** button ⑧.
- Each time the **ON/OFF** button ⑧ is pressed, the setting switches between **ON** and **OFF**.
- ON**: The backlight comes on when a button is pressed.
  - OFF**: The backlight does not come on when a button is pressed.

#### 4.13.7. Completing the setting

- Press the **SET** button ③.
- The function No. ① blinks (Fig. 4-10)
- Press the **MENU** button ②.
- The remote controller exits the initial setting mode. (The air conditioner operation is stopped.)

#### 4.13.8. How to disable Auto mode operation (Fig. 4-12)

1. Press the **STOP** button ① to stop the air conditioner.
    - If the weekly timer is enabled, press the **ON/OFF WEEKLY** button ⑥ to disable the timer. (**WEEKLY** ⑩ disappears.)  2. Press the **SET** button ② for 5 seconds.
    - The unit enters the function setting mode. (The group model setting number ④ blinks.)  3. Press the **DOWN** button ⑤.
    - Enter the group model setting number to "066". (The factory setting is "002".)  4. Completing the settings (Fig. 4-12)
- Press the **SET** button ② for 5 seconds.
- The remote controller exits the function setting mode.

en

## 5. Installing the grille

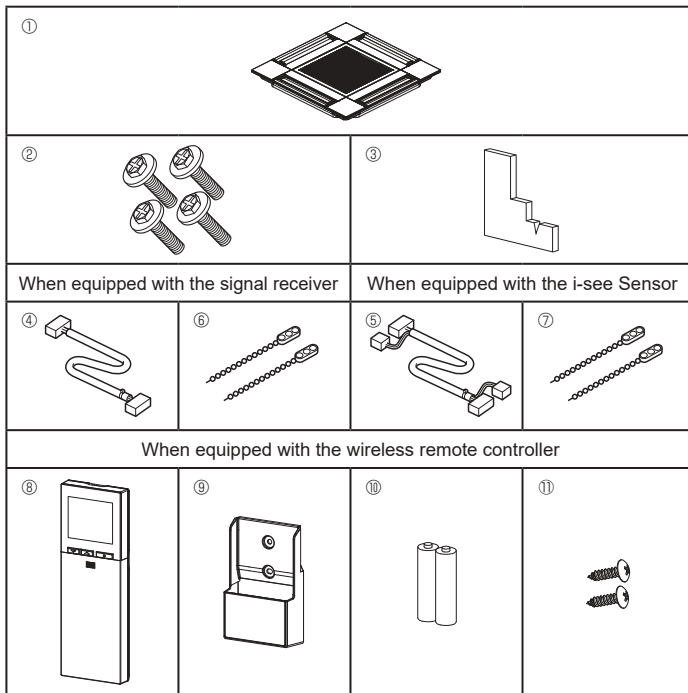


Fig. 5-1

### 5.1. Check the grille accessories (Fig. 5-1)

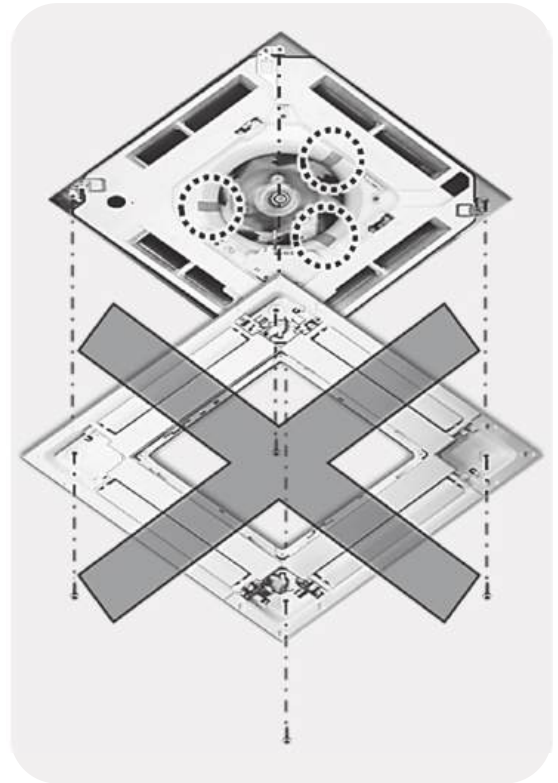
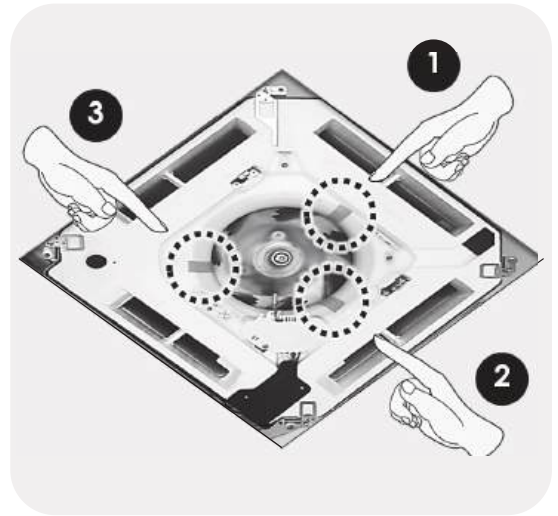
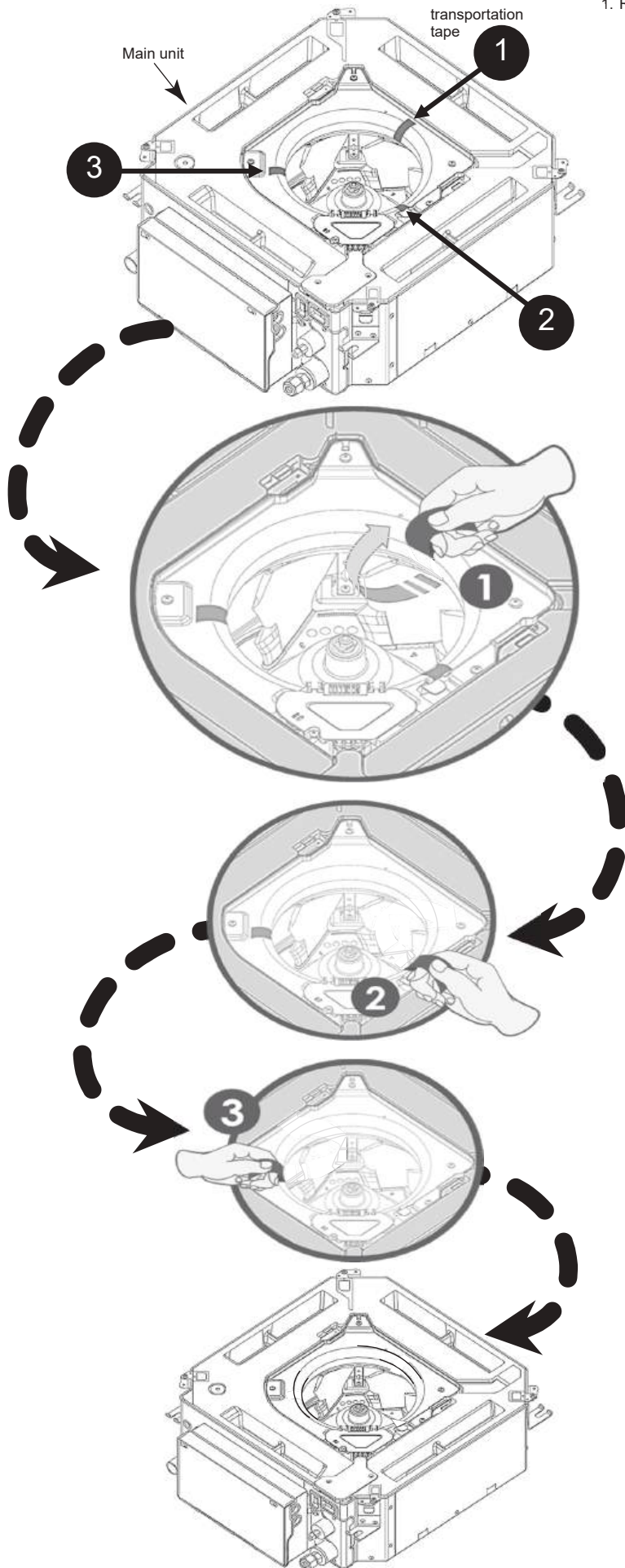
• The grille should be supplied with the following accessories.

	Accessory name	Q'ty	Remark
①	Grille	1	625 × 625 (mm), 24-19/32 × 24-19/32 (in.)
②	Screw with washer	4	M5 × 0.8 × 28 (mm), 1/32 × 1-7/64 (in.)
③	Gauge	1	
④	Junction wire for signal receiver	1	Included when equipped with the signal receiver.
⑤	Junction wire for i-see Sensor	1	Included when equipped with the i-see Sensor.
⑥	Fastener	2	Included when equipped with the signal receiver.
⑦	Fastener	2	Included when equipped with the i-see Sensor.
⑧	Wireless remote controller	1	Included when equipped with the wireless remote controller.
⑨	Remote controller holder	1	Included when equipped with the wireless remote controller.
⑩	LR6 AA batteries	2	Included when equipped with the wireless remote controller.
⑪	3.5 × 16 mm tapping screws	2	Included when equipped with the wireless remote controller.

## 5. Installing the grille

### 5.2. Before installation

1. Remove the transportation tape. (3 position).



en

## 5. Installing the grille

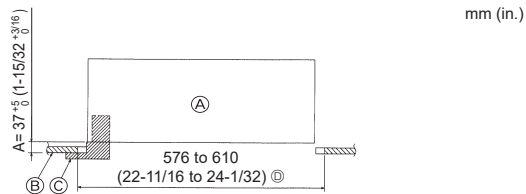


Fig. 5-2

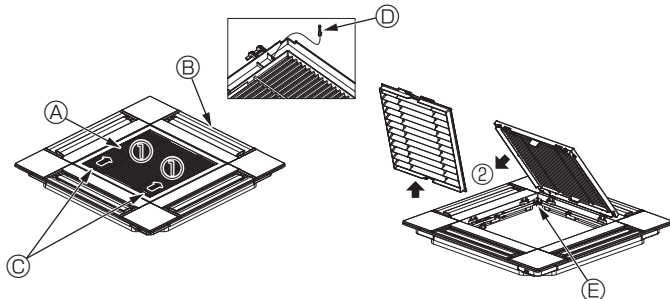


Fig. 5-3

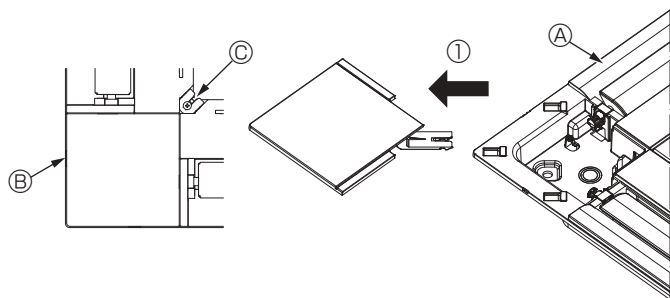


Fig. 5-4

<Grille hook>

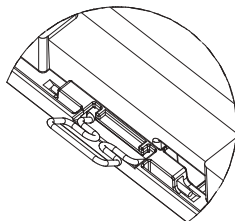


Fig. 5-5

<Grille is hung temporarily>

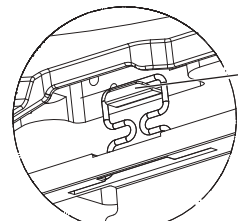


Fig. 5-6

mm (in.)

### 5.3. Preparing to attach the grille (Fig. 5-2)

- With the gauge supplied with this kit, adjust and check the positioning of the unit relative to the ceiling. If the unit is not properly positioned in the ceiling, there may be air leaks, condensation may form, or the up/down vanes may not operate correctly.
- Make sure that the opening in the ceiling is within the following tolerances: 576 × 576 to 610 × 610 (mm), 22-11/16 × 22-11/16 to 24-1/32 × 24-1/32 (in.)
- Make sure that step A is performed within 37 to 42 mm (1-15/32 to 1-21/32 in.). Damage could result by failing to adhere to this range.

- Ⓐ Main unit
- Ⓑ Ceiling
- Ⓒ Gauge (Accessory)
- Ⓓ Ceiling opening dimensions

#### 5.3.1. Removing the intake grille (Fig. 5-3)

- Slide the levers in the direction indicated by the arrow ① to open the intake grille.
- Unlatch the hook that secures the grille.
  - \* Do not unlatch the hook for the intake grille.
- With the intake grille in the “open” position, remove the hinge of the intake grille from the grille as indicated by the arrow ②.

- Ⓐ Intake grille
- Ⓑ Grille
- Ⓒ Intake grille levers
- Ⓓ Grille hook
- Ⓔ Hole for the grille's hook

#### 5.3.2. Removing the corner panel (Fig. 5-4)

- Remove the screw from the corner of the corner panel. Slide the corner panel as indicated by the arrow ① to remove the corner panel.

- Ⓐ Grille
- Ⓑ Corner panel
- Ⓒ Screw

## 5.4. Installing the grille

- Please pay attention because there is a restriction in the attachment position of the grille.

#### 5.4.1. Temporarily installing the grille

Align the screw holes in the corners of the grille with the screw mounting holes in the corners of the main unit, latch the two hooks on the grille onto the drain pan projections on the main unit, and temporarily hang the grille. (Fig. 5-5, 5-6)

#### ⚠ Caution:

**When installing the i-see Sensor and signal receiver, place the junction wires in the connector box before temporarily hanging the grille. Refer to 4.2.1. on page 8 to route the junction wires.**

## 5. Installing the grille

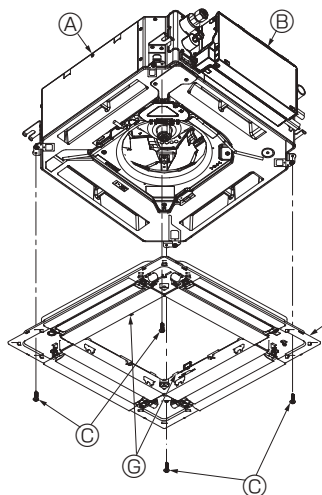


Fig. 5-7

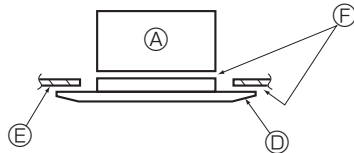


Fig. 5-8

### 5.4.2. Securing the grille

- Secure the grille by tightening the four screws. (Fig. 5-7)
- \* Make sure that there are no gaps between the main unit and the grille or the grille and the ceiling. (Fig. 5-8)

- Ⓐ Main unit
- Ⓑ Electric component box
- Ⓒ Screw with washer (Accessory)
- Ⓓ Grille
- Ⓔ Ceiling
- Ⓕ Make sure that there are no gaps.
- Ⓖ Temporary hanging hooks on the panel

#### ⚠ Caution:

When tightening the screw with captive washer Ⓒ, tighten it at a torque of 4.8 N·m (4 ft·lbs) or less. Never use an impact screwdriver.

It may result in parts damage.

- After tightening the screw, confirm that the two grille hooks (Fig. 5-6) are latched onto the hooks on the main unit.

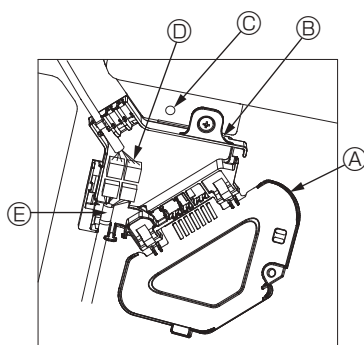


Fig. 5-9

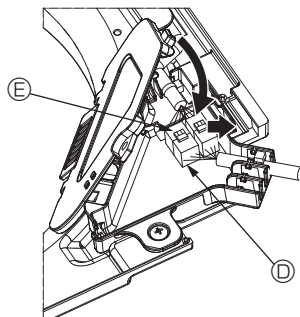


Fig. 5-10

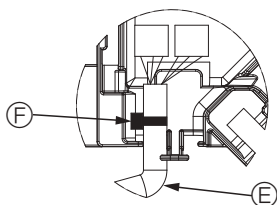


Fig. 5-11

### 5.4.3. Connecting the wires

- ① Remove the one screw securing the connector box cover, slide the cover in the direction indicated by the arrow as shown in the diagram, and then open the cover.
- ② In the connector box, locate the junction wire for the vane motor of the grille and the wire for the vane motor, and then connect the wires. (Fig. 5-9)  
There are two vane motor connectors: one blue connector and one orange connector. Make sure that the connector colors match when connecting them.
- ③ After placing the wires in the connector box, close the connector box cover. Make sure that the wires do not get pinched. (Fig. 5-10)  
When closing the connector box cover, slide the cover in the direction indicated by the arrow and make sure that the projection is firmly inserted.

- Ⓐ Connector box cover
- Ⓑ Connector box
- Ⓒ Securing screw
- Ⓓ Junction connector
- Ⓔ Wire connector for the vane motor
- Ⓕ Band

#### ⚠ Caution:

- Place the band securing the panel vane motor wire in the connector box as shown in the diagram. (Fig. 5-11)
- When closing the connector box cover, make sure that the wires do not get pinched.

## 5. Installing the grille

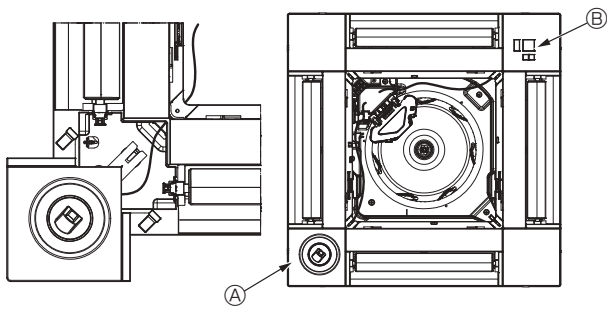


Fig. 5-12

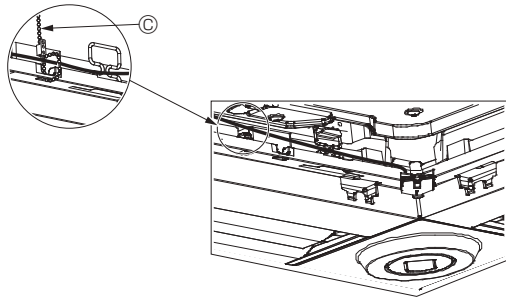


Fig. 5-13

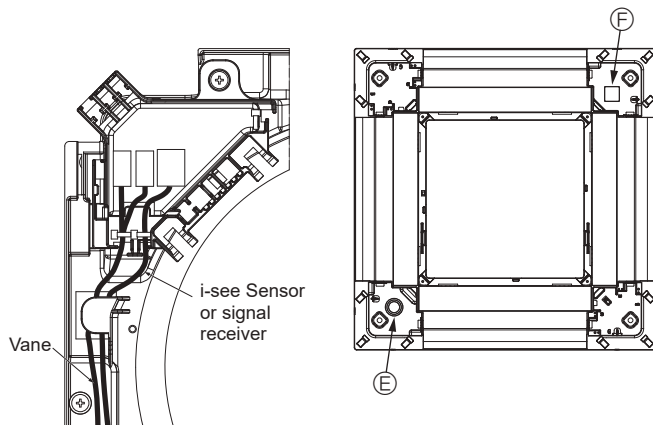


Fig. 5-14

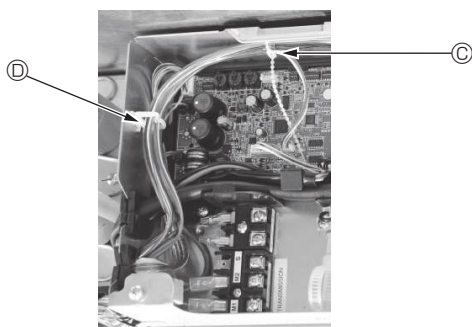


Fig. 5-15

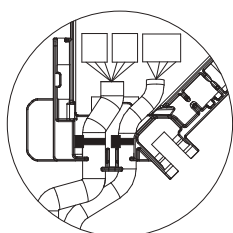


Fig. 5-16

### 5.4.4. Wiring the i-see Sensor corner panel and signal receiver

- Install the i-see Sensor and signal receiver at the corners of the panel at the locations stamped with "o" or "□". (The positions may be reversed.)
- Route the i-see Sensor and signal receiver wires through the square holes at the corners of the panel and install them.
- Connect the junction wire connector and the wire connectors of the i-see Sensor and signal receiver in the connector box.
- Close the connector box cover.
- Secure the i-see Sensor and signal receiver wires to the panel with the fastener as shown in the diagram so that there is no slack in the wires, and then cut off the excess end of the fastener. (Fig. 5-13)
- Place the i-see Sensor and signal receiver wires to the inside of the flange on the panel.
- If the position of the i-see Sensor was changed from the "o" position (E) to the "□" position (F), change the switch settings. (Refer to page 11.)

#### ⚠ Caution:

- Route the i-see Sensor and signal receiver wires as shown in Fig. 5-14.
- Place the excess portions of the i-see Sensor and signal receiver junction wires in the electric component box in the wire clip as shown in the diagram, and secure the wires together with the fastener. (Fig. 5-15)
- Make sure that the band securing the i-see Sensor and signal receiver junction wires is positioned inside the connector box. (Fig. 5-16)
- If the vane motor connectors and signal receiver connector are connected incorrectly, the vanes will not move or communication with the remote controller will not be possible.

- Ⓐ i-see Sensor
- Ⓑ Signal receiver
- Ⓒ Fastener
- Ⓓ Wire clip
- Ⓔ "o" stamp : default i-see Sensor position
- Ⓕ "□" stamp : default signal receiver position

## 5. Installing the grille

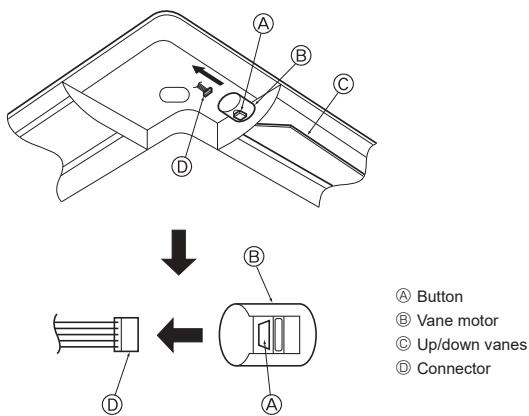
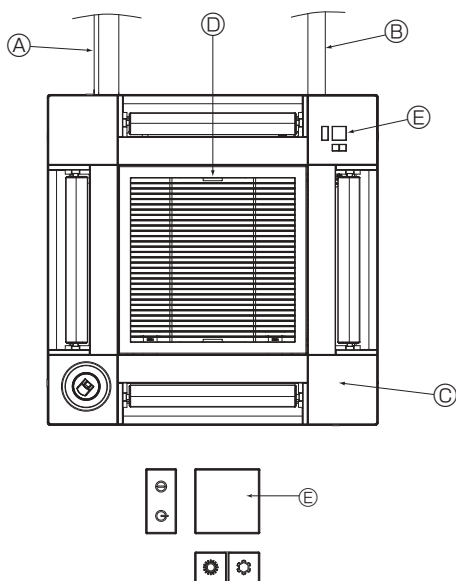


Fig. 5-17



Signal receiver

Fig. 5-18

### 5.5. Locking the up/down airflow direction (Fig. 5-17)

The vanes of the unit can be set and locked in up or down orientations depending upon the environment of use.

- Set according to the preference of the customer.

The operation of the fixed up/down vanes and all automatic controls cannot be performed using the remote controller. In addition, the actual position of the vanes may differ from the position indicated on the remote controller.

- ① Turn off the main power switch.  
Injuries and or an electrical shock may occur while the fan of the unit is rotating.
- ② Disconnect the connector for the vane motor of the vent that you want to lock.  
(While pressing the button, remove the connector in the direction indicated by the arrow as shown in the diagram.) After removing the connector, insulate it with tape.

#### ⚠ Caution:

**Do not set the up/down vanes passed the specified range. Condensation could form on and drip from the ceiling, or the unit could malfunction.**

### 5.6. Installing the intake grille (Fig. 5-18)

- Perform the procedure that is described in "5.3. Preparing to attach the grille" in reverse order to install the intake grille and the corner panel.

- Ⓐ Refrigerant piping of the main unit
- Ⓑ Drain piping of the main unit
- Ⓒ Corner panel
  - \* Installation in any position is possible.
- Ⓓ Position of the levers on the intake grille when sent from the factory.
  - \* Although the clips can be installed in any of four positions.
- Ⓔ Receiver (for PAR-SF9FA-E)

### 5.7. Check

- Make sure that there is no gap between the unit and the grille, or between the grille and the surface of the ceiling. If there is any gap between the unit and the grille, or between the grille and the surface of the ceiling, it may cause dew to collect.
- Make sure that the wires have been securely connected.
- Check that all four vanes move. If two or four vanes do not move, refer to 5.4. and check the connections.
- For 3D i-see Sensor corner panel, check the rotating movement. If the 3D i-see Sensor does not rotate, review the procedure in "5.4. Installing the grille".

## 6. Test run

### 6.1. Before test run

- ▶ After completing installation and the wiring and piping of the indoor and outdoor units, check for refrigerant leakage, looseness in the power supply or control wiring, wrong polarity, and no disconnection of one phase in the supply.
- ▶ Use a 500-volt megohmmeter to check that the resistance between the power supply terminals and ground is at least 1.0 MΩ.

- ▶ Do not carry out this test on the control wiring (low voltage circuit) terminals.

**Warning:**

Do not use the air conditioner if the insulation resistance is less than 1.0 MΩ.

#### Controller interface

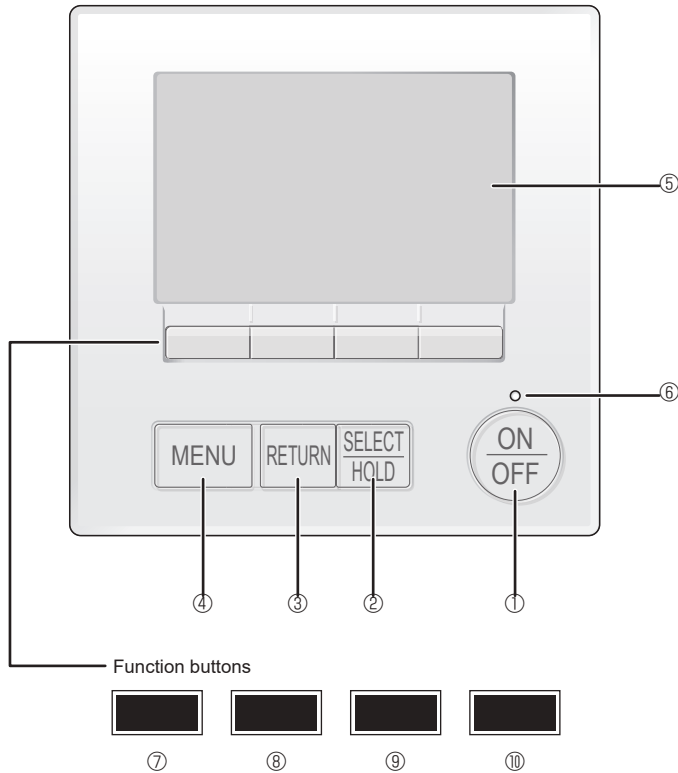


Fig. 6-1

### 6.2. Test run

The following 3 methods are available.

#### 6.2.1. Using wired remote controller (Fig. 6-1)

##### ① [ON/OFF] button

Press to turn ON/OFF the indoor unit.

##### ② [SELECT/HOLD] button

Press to save the setting.

When the Main menu is displayed, pressing this button will enable/disable the HOLD function.

##### ③ [RETURN] button

Press to return to the previous screen.

##### ④ [MENU] button

Press to bring up the Main menu.

##### ⑤ Backlit LCD

Operation settings will appear.

When the backlight is off, pressing any button turns the backlight on and it will stay lit for a certain period of time depending on the screen.

When the backlight is off, pressing any button turns the backlight on and does not perform its function. (except for the [ON/OFF] button)

##### ⑥ ON/OFF lamp

This lamp lights up in green while the unit is in operation. It blinks while the remote controller is starting up or when there is an error.

##### ⑦ Function button [F1]

Main display: Press to change the operation mode.

Menu screen: The button function varies with the screen.

##### ⑧ Function button [F2]

Main display: Press to decrease temperature.

Main menu: Press to move the cursor left.

Menu screen: The button function varies with the screen.

##### ⑨ Function button [F3]

Main display: Press to increase temperature.

Main menu: Press to move the cursor right.

Menu screen: The button function varies with the screen.

##### ⑩ Function button [F4]

Main display: Press to change the fan speed.

Menu screen: The button function varies with the screen.

## 6. Test run

### Step 1 Switch the remote controller to "Test run".

- ① Select "Service" from the Main menu, and press the [SELECT/HOLD] button.
- ② When the Service menu is selected, a window will appear asking for the password. (Fig. 6-2)  
To enter the current maintenance password (4 numerical digits), move the cursor to the digit you want to change with the [F1] or [F2] button, and set each number (0 through 9) with the [F3] or [F4] button. Then, press the [SELECT/HOLD] button.

Note: The initial maintenance password is "9999". Change the default password as necessary to prevent unauthorized access. Have the password available for those who need it.

Note: If you forget your maintenance password, you can initialize the password to the default password "9999" by pressing and holding the [F1] and [F2] buttons simultaneously for three seconds on the maintenance password setting screen.

- ③ Select "Test run" with the [F1] or [F2] button, and press the [SELECT/HOLD] button. (Fig. 6-3)
- ④ Select "Test run" with the [F1] or [F2] button, and press the [SELECT/HOLD] button. (Fig. 6-4)

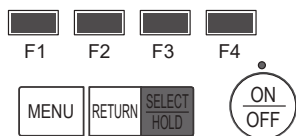
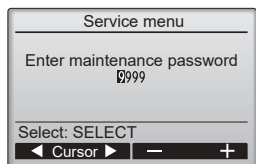


Fig. 6-2

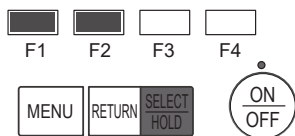
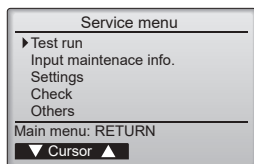


Fig. 6-3

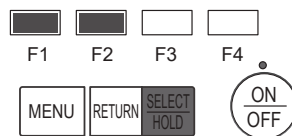
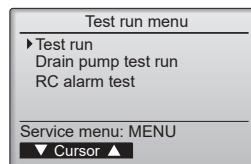


Fig. 6-4

### Step 2 Perform the test run and check the airflow temperature and auto vane.

- ① Press the [F1] button to go through the operation modes in the order of "Cool" and "Heat". (Fig. 6-5)  
Cool mode: Check the cold air blow off.  
Heat mode: Check the heat blow off.

Note:  
Check the operation of the outdoor unit's fan.

- ② Press the [SELECT/HOLD] button and open the Vane setting screen.

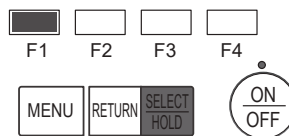
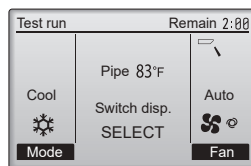


Fig. 6-5

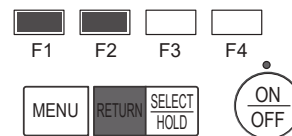
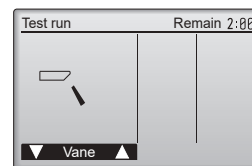


Fig. 6-6

#### AUTO vane check

- ① Check the auto vane with the [F1] [F2] buttons. (Fig. 6-6)
- ② Press the [RETURN] button to return to "Test run operation".
- ③ Press the [ON/OFF] button.

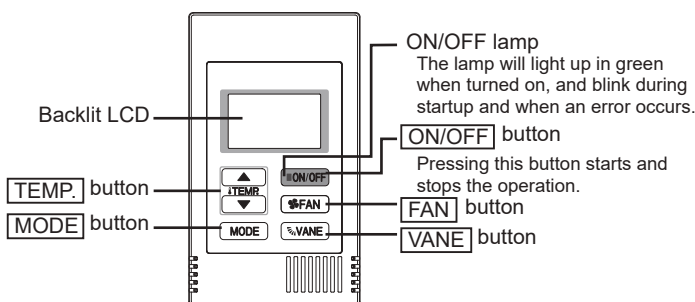
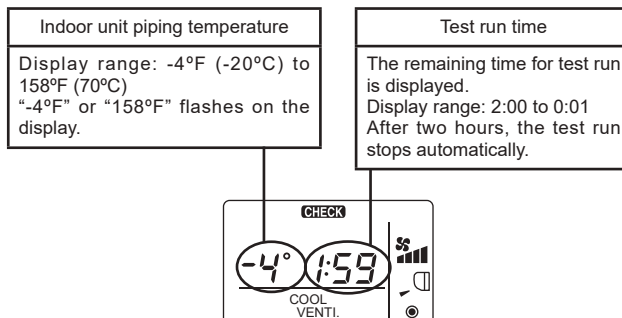


Fig. 6-7

#### 6.2.2. Using Simple MA remote controller (Fig. 6-7)

- ① Before making a test run, refer to the "Test Run" section of the indoor unit installation manual.
- ② When the [ON/OFF] button and [TEMP. ▲] button are pressed simultaneously for 2 seconds or longer, test run is performed.
- ③ Stop the test run by pressing the [ON/OFF] button.
- ④ If an error code is displayed on the remote controller or if the air conditioner does not operate properly, refer to the outdoor unit installation manual or other technical materials.



## 6. Test run

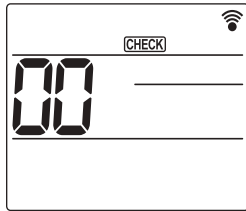


Fig. 6-8

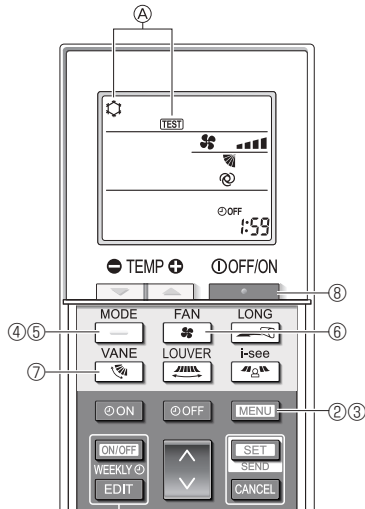


Fig. 6-9

### 6.2.3. Using the wireless remote controller

- ① Turn on the power to the unit at least 12 hours before the test run.
- ② Press the **MENU** button for 5 seconds. (Fig. 6-8)  
(Perform this operation when the remote controller display is turned off.)
- ③ Press the **MENU** button.
- ④ **TEST** and the current operation mode are displayed. (Fig. 6-9)
- ④ Press the **COOL** button to activate cool mode, then check whether cool air is blown out from the unit.
- ⑤ Press the **HEAT** button to activate heat mode, then check whether warm air is blown out from the unit.
- ⑥ Press the **FAN** button and check whether the fan speed changes.
- ⑦ Press the **VANE** button and check whether the auto vane operates properly.
- ⑧ Press the **STOP** button to stop the test run.  
(After two hours, a signal will be sent to stop the test run.)

#### Note:

- Point the remote controller towards the indoor unit receiver while following steps ③ to ⑧.
- It is not possible to perform the test run in FAN, DRYING, or AUTO mode.

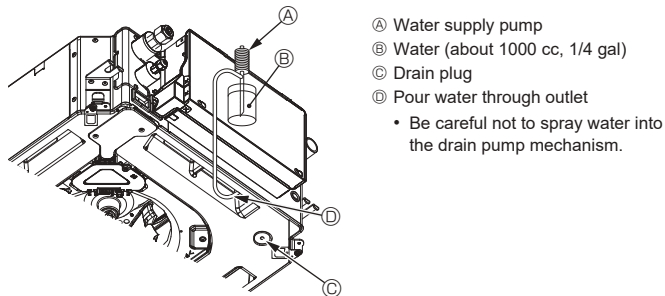


Fig. 6-10

### 6.3. Check of drainage (Fig. 6-10)

- Ensure that the water is being properly drained out and that no water is leaking from joints.

#### When electric work is completed.

- Pour water during cooling operation and check.

#### When electric work is not completed.

- Pour water during emergency operation and check.

\* Drain pan and fan are activated simultaneously when single phase 208/230V is turned on to L1 and L2 on terminal block after the connector (SWE) on controller board in the electrical branch box is set to ON.

Be sure to turn it back to the former state after work.

# Table des matières

1. Mesures de précaution.....	1	4. Installations électriques.....	7
2. Installation de l'appareil intérieur.....	2	5. Installation de la grille.....	15
3. Tuyau de réfrigérant et tuyau de vidange.....	5	6. Essai de fonctionnement.....	21

## Remarque :






Dans le présent manuel d'installation, l'expression "Télécommande filaire" fait référence au modèle PAR-42MAAUB.

Pour toute information sur l'autre télécommande, reportez-vous au manuel d'installation ou au manuel de réglage initial fournis dans les boîtes.

## 1. Mesures de précaution

- ▶ Avant d'installer le climatiseur, lisez attentivement toutes les "Consignes de sécurité".
- ▶ Il est nécessaire de consulter ou d'obtenir l'autorisation de la compagnie d'électricité concernée avant de connecter le système.

### SIGNIFICATION DES SYMBOLES AFFICHÉS SUR L'APPAREIL

 	<b>AVERTISSEMENT</b> (Risque d'incendie)	Cet appareil utilise un réfrigérant inflammable. Si le réfrigérant fuit et entre en contact avec une flamme ou une pièce chaude, il produira un gaz toxique et un incendie risque de se déclencher.
		Veuillez lire le MANUEL D'UTILISATION avec soin avant utilisation.
		Le personnel d'entretien est tenu de lire avec soin le MANUEL D'UTILISATION et le MANUEL D'INSTALLATION avant utilisation.
		De plus amples informations sont disponibles dans le MANUEL D'UTILISATION, le MANUEL D'INSTALLATION et documents similaires.

#### Avertissement :

Précautions à suivre pour éviter tout danger de blessure ou de décès de l'utilisateur.

#### Attention :

Décrit les précautions qui doivent être prises pour éviter d'endommager l'appareil.

Une fois l'installation terminée, expliquez les "Consignes de sécurité", l'utilisation et l'entretien de l'appareil au client conformément aux informations du mode d'emploi et effectuez l'essai de fonctionnement en continu pour garantir un fonctionnement normal. Le manuel d'installation et le mode d'emploi doivent être fournis à l'utilisateur qui doit les conserver. Ces manuels doivent également être transmis aux utilisateurs successifs.



Indique une action qui doit être évitée.



Indique des instructions importantes qui doivent être suivies.



Indique un élément qui doit être mis à la terre.



Indique des précautions à prendre lors du maniement de pièces tournantes.



Indique que l'interrupteur principal doit être désactivé avant d'effectuer tout travail d'entretien.



Danger d'électrocution.



Attention, surface chaude.



ELV : Lors de travaux d'entretien, coupez l'alimentation de l'appareil intérieur ainsi que de l'appareil extérieur.



**Avertissement :**

Prenez soin de lire les étiquettes se trouvant sur l'appareil principal. Installez l'appareil intérieur à 2,5 m (8 ft) au moins au-dessus du sol ou sur un plan surélevé.  
Pour les appareils qui ne sont pas accessibles au public.

#### Avertissement :

- Demandez à votre revendeur ou à un technicien agréé d'installer le climatiseur.
- N'essayez jamais de réparer ou de déplacer vous-même l'appareil.
- Installez l'appareil sur une structure capable de supporter son poids.
- Ne pas modifier l'appareil. Cela pourrait provoquer un risque d'incendie, d'électrocution, de blessure ou de fuite d'eau.
- L'appareil doit être bien installé sur une structure capable de soutenir son poids.
- N'utilisez que les câbles spécifiés pour les raccordements. Les raccordements doivent être réalisés correctement sans tension sur les bornes. En outre, n'effectuez jamais d'épissure sur les câbles (sauf en cas d'indication contraire dans le présent document).
- Le non-respect de ces instructions peut provoquer une surchauffe, ou un incendie.
- Utilisez uniquement les accessoires autorisés par Mitsubishi Electric et demandez à votre revendeur ou à un technicien agréé de les installer.
- Ne touchez jamais les ailettes de l'échangeur de chaleur.
- Installez le climatiseur en respectant les instructions du manuel d'installation.
- Demandez à un électricien agréé d'effectuer l'installation électrique conformément aux réglementations nationales.
- N'utilisez pas de raccordement intermédiaire des fils électriques.
- L'installation de l'appareil doit être conforme aux réglementations nationales relatives au câblage.
- Si le cordon d'alimentation est endommagé, il doit être remplacé par le fabricant, ses représentants ou un technicien de même compétence pour éviter tout risque potentiel.
- Si le climatiseur est installé dans une petite pièce, certaines mesures doivent être prises pour éviter que la concentration de réfrigérant ne dépasse le seuil de sécurité en cas de fuite de réfrigérant.
- Les parties détachées de la face prédécoupée peuvent provoquer des blessures par coupure, etc. Pour cette raison, les installateurs doivent porter des équipements de protection individuelle tels que des gants, etc.
- Lors de l'installation, du déplacement ou de l'entretien du climatiseur, n'utilisez que le réfrigérant spécifié (R454B) pour remplir les tuyaux de réfrigérant. Ne le mélangez pas avec un autre réfrigérant et veillez à ce que les tuyaux soient exempts d'air. Un mélange d'air et de réfrigérant peut être à l'origine d'une pression anormalement élevée dans la tuyauterie de réfrigérant, ce qui peut résulter en une explosion et d'autres risques.

L'utilisation d'un réfrigérant autre que celui spécifié pour le système provoquerait une défaillance mécanique, un dysfonctionnement du système ou une panne de l'appareil. Dans le pire des cas, la sécurité du produit pourrait être gravement affectée.

- Faites attention quand vous utilisez une source de chaleur auxiliaire et suivez toutes les instructions du fabricant tiers ainsi que les directives de sécurité pour l'installation et l'utilisation.
- Toute source de chaleur auxiliaire connectée à cette unité par la connexion CN24 doit être dotée d'un mécanisme de contrôle de la température indépendamment. Tout manquement au montage et à l'entretien de ce mécanisme de contrôle de la température peut annuler la garantie de cette unité. Mitsubishi Electric n'acceptera aucune obligation de garantie ni aucune autre responsabilité en cas de dommage ou de perte en connexion avec ces chauffages auxiliaires tiers.
- Ne faites usage d'aucun moyen visant à accélérer le processus de dégivrage ou à nettoyer autre que ceux recommandés par le fabricant.
- L'appareil doit être rangé dans une pièce ne contenant aucune source d'allumage continue (exemple : flammes nues, appareil à gaz ou chauffage électrique).
- Ne percez pas et ne brûlez pas l'appareil.
- Sachez que les réfrigérants peuvent être inodores.
- La tuyauterie doit être protégée contre tout dommage physique.
- L'installation de tuyauterie doit être limitée au strict minimum.
- Les réglementations nationales sur les gaz doivent être respectées.
- Gardez les ouvertures de ventilation libres d'obstruction.
- Ne pas libérer le réfrigérant dans l'atmosphère. En cas de fuite de réfrigérant pendant l'installation, aérez la pièce. Vérifiez l'absence de toute fuite de réfrigérant sur le circuit à la fin de l'installation.

## 1. Mesures de précaution

- Si le réfrigérant fuit et entre en contact avec une flamme ou une pièce chaude comme un radiateur-ventilateur, un chauffage au kérosène ou une cuisinière, il produira un gaz toxique.
- Lorsque vous utilisez un brûleur à gaz ou un autre appareil produisant des flammes, extrayez complètement le réfrigérant du climatiseur et veillez à ce que la zone soit bien ventilée.
- Si le réfrigérant fuit et entre en contact avec une flamme ou une pièce chaude, il produira un gaz toxique et un incendie risque de se déclencher.
- Pour éviter tout risque d'incendie, encastrez ou protégez les conduites de réfrigérant. Tout endommagement externe des conduites de réfrigérant peut provoquer un incendie.

### ⚠ Attention :

- N'utilisez pas le tuyau de réfrigérant existant.
- N'utilisez pas le climatiseur dans les endroits où se trouvent des aliments, des animaux domestiques, des plantes, des instruments de précision ou des œuvres d'art.
- N'utilisez pas le climatiseur dans des environnements spéciaux.
- Raccordez l'appareil à la terre.
- Installez un disjoncteur, si nécessaire.
- Utilisez des câbles d'alimentation électrique de capacité et de classe nominale suffisantes.
- Utilisez uniquement un disjoncteur et un fusible de la capacité spécifiée.
- Ne touchez pas les interrupteurs avec des doigts humides ou mouillés.
- Ne touchez pas les tuyaux de réfrigérant pendant et immédiatement après utilisation.
- N'utilisez pas le climatiseur avec les panneaux et les protections retirés.
- Ne coupez pas l'alimentation électrique immédiatement après avoir arrêté d'utiliser le climatiseur.
- Si l'appareil fonctionne pendant de nombreuses heures lorsque la température/le taux d'humidité de l'air au-dessus du plafond sont élevés (point de rosée supérieur à 26 °C, 79 °F), de la condensation peut se produire dans l'appareil intérieur et dans les matériaux du plafond. Si les appareils doivent être utilisés dans ces conditions, ajoutez une couche d'isolation (10 à 20 mm, 25/64 à 15/32 in.) sur toute la surface de l'appareil et du plafond pour éviter la condensation.
- Lorsque vous utilisez un aérosol pour la construction intérieure, les travaux de finition ou le scellement d'une ouverture de pénétration de la tuyauterie, coupez le disjoncteur et ventilez la pièce.  
Le gaz contenu dans les aérosols pourrait entraîner une fausse détection et des déclenchements inopinés du détecteur de fuite de réfrigérant.

## 2. Installation de l'appareil intérieur

Consulter le manuel d'installation de l'appareil extérieur.

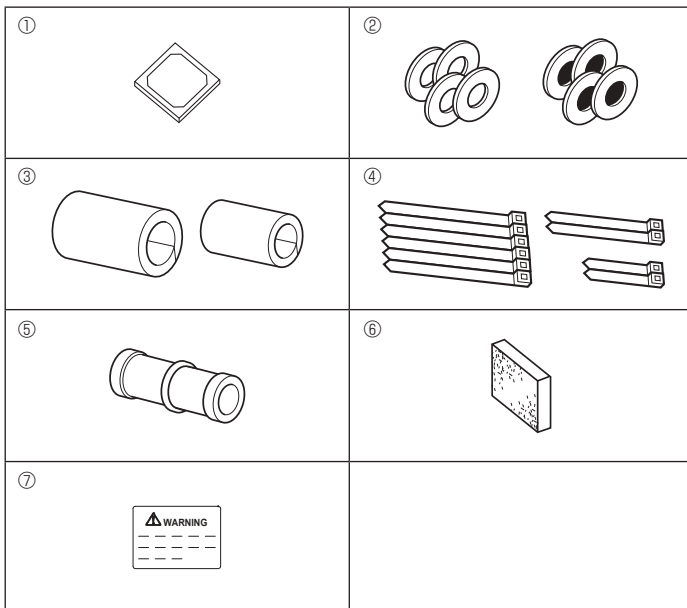


Fig. 2-1

### 2.1. Vérifiez les accessoires qui accompagnent l'appareil intérieur (Fig. 2-1)

L'appareil intérieur doit être livré avec les accessoires suivants.

	Nom de l'accessoire	Qté
①	Schéma d'installation	1
②	Rondelles (avec isolation)	4
	Rondelles (sans isolation)	4
③	Cache-tuyaux (pour le raccord des tuyaux de réfrigérant) petit diamètre (liquide)	1
	grand diamètre (gaz)	1
④	Courroie (large)	6
	Courroie (moyenne)	2
	Courroie (étroite) * Utilisez uniquement une courroie.	2
⑤	Prise d'écoulement	1
⑥	Isolation	1
⑦	Étiquette du disjoncteur	1

## 2. Installation de l'appareil intérieur

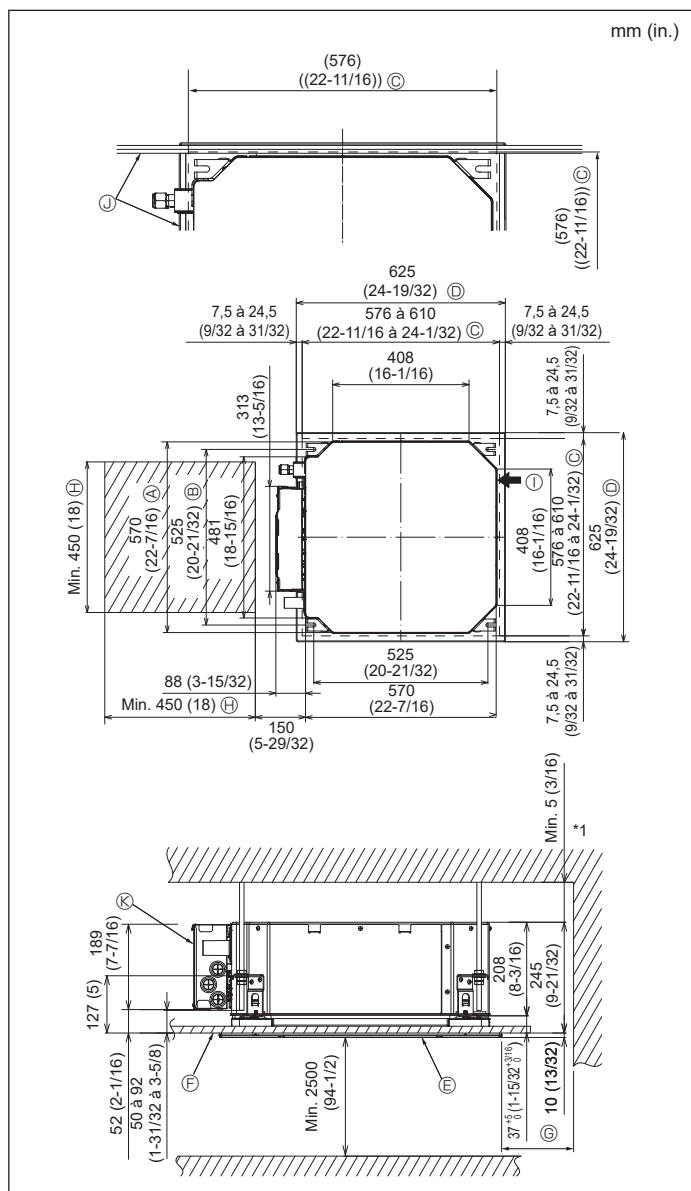


Fig. 2-2

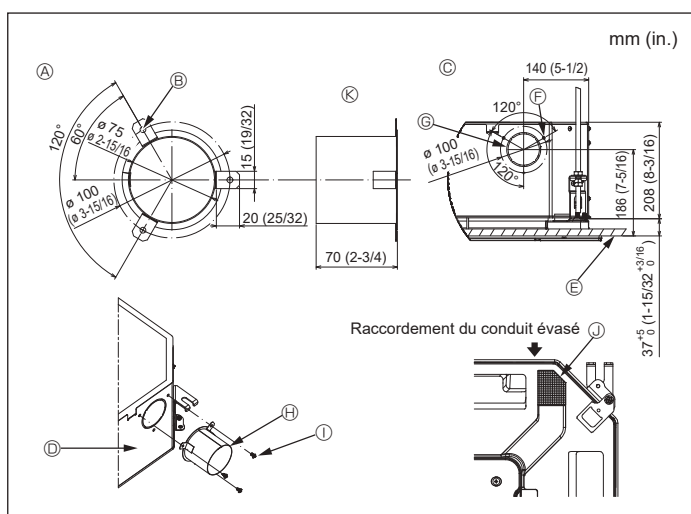


Fig. 2-3

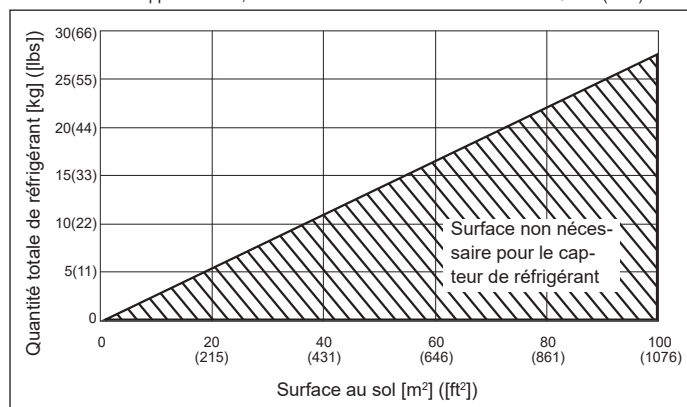
## 2.2. Emplacement d'installation des ouvertures au plafond et boulon de suspension (Fig. 2-2)

- À l'aide du modèle d'installation et de la jauge (fournie comme accessoire avec la grille), réalisez une ouverture dans le plafond afin de pouvoir installer l'appareil principal comme indiqué sur le schéma. (La méthode d'utilisation du modèle et de la jauge y figure.)
  - \* Avant utilisation, vérifiez les dimensions du modèle et de la jauge, car ils sont sensibles aux fluctuations de température et d'humidité.
  - \* Les dimensions de l'ouverture au plafond peuvent être comprises dans la plage figurant sur le schéma suivant. Par conséquent, centrez l'appareil principal dans l'ouverture en veillant à ce que le dégagement des côtés opposés respectifs soit identique.
- Utilisez des boulons de suspension M10 (3/8").
  - \* Les boulons de suspensions doivent être procurés sur place.
- Par mesure de sécurité, effectuez l'installation de sorte qu'il n'y ait pas d'espace entre le panneau du plafond et la grille, ainsi qu'entre l'appareil principal et la grille.

- |  |  |
|--|--|
| Ⓐ Côté extérieur de l'appareil principal | Ⓢ Min. 500 mm (20 in.) (périphérie complète)   |
| Ⓑ Boulon de suspension                   | Ⓣ Lors de la détermination de l'espace nécessaire à l'entretien pour Ⓢ, veillez à laisser une distance d'au moins 700 mm (28 in.). |
| Ⓒ Ouverture au plafond                   | Ⓤ Espace nécessaire à l'entretien  |
| Ⓓ Côté extérieur de la grille            | Ⓦ Arrivée d'air frais  |
| Ⓔ Grille                                 | Ⓧ Angle  |
| Ⓚ Plafond                                | Ⓨ Boîtier des composants électriques   |

\* Laissez l'espace nécessaire à l'entretien à l'extrémité du boîtier des composants électriques.

\*1 En cas d'installation dans un emplacement existant au plafond ou en cas d'application d'isolation supplémentaire, veillez à laisser une distance minimale de 25 mm (1 in.).



Si  $M/A \leq 0,27$ , le capteur de réfrigérant peut être désactivé en débranchant le connecteur CNSB au niveau du tableau des commandes.

M : Quantité totale de réfrigérant [kg] ([lbs])

A : Surface au sol [m²] ([ft²])

Précaution : Ne débranchez pas le connecteur CNSB dans un environnement où  $M/A \geq 0,27$ .

Si une fuite de réfrigérant se produit alors que le capteur de réfrigérant est désactivé, le dispositif de sécurité ne pourra pas fonctionner.

## 2.3. Installation de conduit (en cas d'arrivée d'air frais) (Fig. 2-3)

### ⚠ Attention :

#### Raccordement du ventilateur de conduit et du climatiseur

En cas d'utilisation d'un ventilateur de conduit, veillez à le connecter au climatiseur en cas d'aspiration d'air extérieur.

Ne faites pas fonctionner le ventilateur de conduit seul. Cela pourrait provoquer des gouttes de condensation.

#### Évasement d'un conduit (à effectuer sur place)

- La forme d'évasement de conduit montrée à gauche est recommandée.

#### Mise en place du conduit évasé

- Découpez l'orifice à dégager. Ne poussez pas dessus pour le dégager.
- Installez un conduit évasé sur l'orifice à découper de l'appareil intérieur, à l'aide de trois vis autotaraudeuses de  $4 \times 10$  à vous procurer sur place.

#### Installation du conduit (à effectuer sur place)

- Préparez un conduit dont le diamètre intérieur s'adapte au diamètre extérieur du conduit évasé.
- Si l'environnement situé au-dessus du plafond présente des températures élevées et un haut degré d'humidité, enveloppez le conduit avec une protection thermique pour éviter la chute de gouttes de condensation sur le mur.

#### Retirez l'isolation du bac de récupération.

- |  |  |
|--|--|
| Ⓐ Forme recommandée pour l'isolation (Épaisseur : 0,8 mm (1/32 in.) ou plus) | ⓕ 3 trous de vis autotaraudeuse                              |
| Ⓑ 3 trous $\varnothing 5$ mm (3/16 in.)                                      | ⓖ Orifice à découper $\varnothing 73,4$ mm (2-7/8 in.)       |
| Ⓒ Schéma détaillé de l'arrivée d'air frais                                   | ⓗ Conduit évasé (à effectuer sur place)                      |
| Ⓓ Appareil intérieur   | Ⓢ Vis autotaraudeuse $4 \times 10$ (à se procurer sur place) |
| Ⓔ Surface du plafond   | Ⓣ Isolation  |

## 2. Installation de l'appareil intérieur

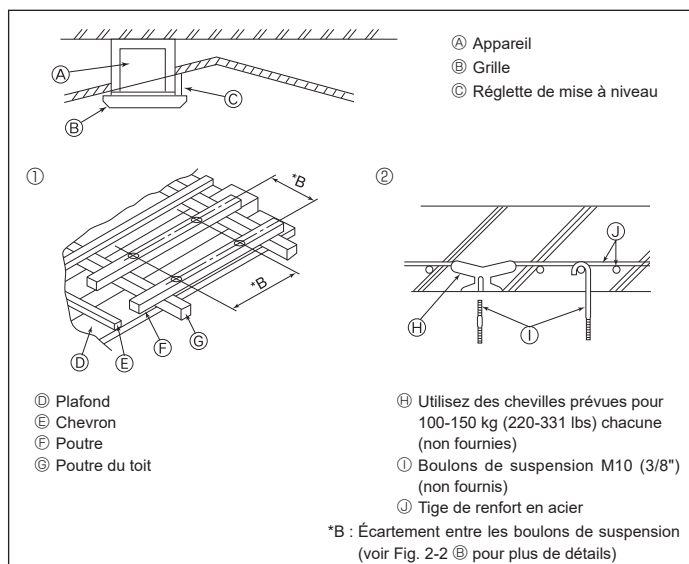


Fig. 2-4

### 2.4. Structure de suspension (Construisez une structure renforcée à l'endroit de suspension de l'appareil) (Fig. 2-4)

- Les travaux à effectuer au plafond varient en fonction du type d'édifice. Il convient de consulter les constructeurs et les décorateurs du bâtiment pour plus de détails.
  - (1) Étendue de la découpe dans le plafond : Le plafond doit être parfaitement à l'horizontale et ses fondations (encadrement : linteaux de bois ou supports de linteaux) doivent être renforcées afin d'éviter qu'il ne vibre.
  - (2) Découpez et déposez les fondations du plafond.
  - (3) Renforcez les extrémités de la fondation du plafond à l'endroit de la découpe et ajoutez une fondation de renfort pour assurer les extrémités des traverses du plafond.
  - (4) Lors de l'installation de l'appareil sur un plafond incliné, installez une réglette de mise à niveau entre le plafond et la grille de telle sorte que l'appareil soit à l'horizontale.
- ① Structures en bois
- Utilisez les tirants (pour les maisons de plain-pied) ou les poutres de l'étage (pour les maisons à étage) comme renforts.
  - Les poutres en bois devant servir à soutenir les climatiseurs doivent être robustes et leurs côtés doivent avoir au moins 6 cm (2-3/8 in.) de long si les poutres sont séparées d'un intervalle inférieur ou égal à 90 cm (36 in.), et ils doivent avoir au moins 9 cm (3-9/16 in.) de long si les poutres sont séparées par un intervalle allant jusqu'à 180 cm (71 in.). Les boulons de suspension doivent avoir 10 mm de diamètre (3/8"). (Ces boulons ne sont pas livrés avec l'appareil.)

#### ② Structures en béton armé

Fixez les boulons de suspension à l'aide de la méthode illustrée ou utilisez des chevilles en acier ou en bois, etc. pour installer les boulons de suspension.

### 2.5. Méthodes de suspension de l'appareil (Fig. 2-5)

Suspendez l'appareil principal comme indiqué sur le diagramme.

- Posez à l'avance les éléments sur les boulons de suspension dans l'ordre suivant : rondelles (avec isolant), rondelles (sans isolant) et écrous (double).
  - Placez la rondelle avec isolant de telle sorte que la partie isolante soit tournée vers le bas.
  - En cas d'utilisation de rondelles supérieures pour suspendre l'appareil principal, les rondelles inférieures (avec isolant) et les écrous (doubles) doivent être installés postérieurement.
- Levez l'appareil à la hauteur adéquate des boulons de suspension pour introduire la plaque de montage entre les rondelles et serrez-la convenablement.
- Lorsque l'appareil principal ne peut pas être aligné contre l'orifice de montage au plafond, il est possible de le régler par une fente prévue sur la plaque de montage. (Fig. 2-6)
  - Assurez-vous que le point A s'effectue dans une fourchette allant de 37 à 42 mm (1-15/32 à 1-21/32 in.). Le non respect de cette marge pourrait être à l'origine de certains dégâts.

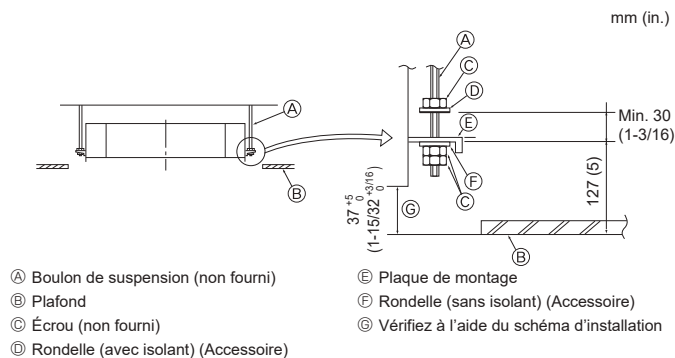


Fig. 2-5

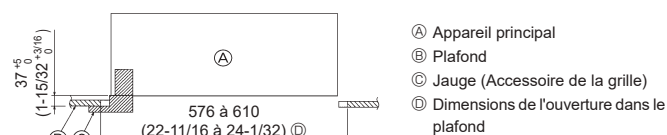


Fig. 2-6

### 2.6. Confirmez l'emplacement de l'appareil principal et serrez les boulons de suspension (Fig. 2-7)

- À l'aide du gabarit fixé à la grille, assurez-vous que le bas de l'appareil est aligné par rapport à l'ouverture dans le plafond. Veillez à bien vérifier ce point sinon des gouttes de condensation dues aux fuites d'air, etc. risquent de tomber.
  - À l'aide d'un niveau ou d'un tube en vinyle rempli d'eau, vérifiez que l'appareil principal est bien à l'horizontale.
  - Lorsque la bonne position de l'appareil principal est définie avec certitude, serrez convenablement les écrous des boulons de suspension pour le fixer.
  - Le schéma d'installation peut servir de feuille protectrice pour empêcher la poussière de pénétrer à l'intérieur de l'appareil lorsque les grilles doivent rester enlevées pendant un certain temps ou si le recouvrement du plafond doit être remis en place ou ré-égalisé après l'installation de l'appareil.
- \* Pour plus de détails concernant le montage, veuillez vous reporter aux instructions du schéma d'installation.

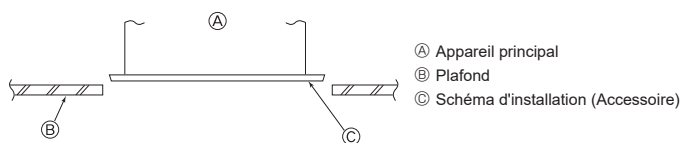


Fig. 2-7

### 3. Tuyau de réfrigérant et tuyau de vidange

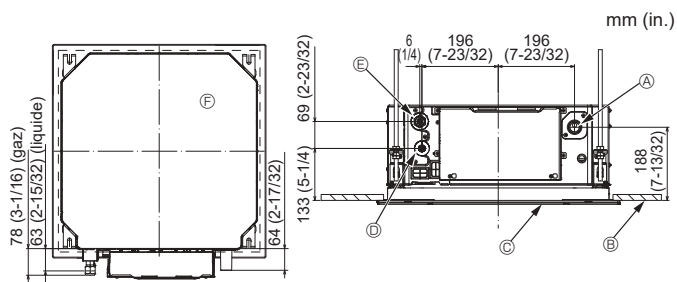


Fig. 3-1

#### 3.1. Emplacement des tuyaux de réfrigérant et d'écoulement de l'appareil intérieur (Fig. 3-1)

- Ⓐ Tuyau de vidange
- Ⓑ Plafond
- Ⓒ Grille
- Ⓓ Tuyau de réfrigérant (liquide)
- Ⓔ Tuyau de réfrigérant (gaz)
- Ⓕ Appareil principal

#### 3.2. Connexion des tuyaux (Fig. 3-2)

- En cas d'utilisation de tuyaux en cuivre disponibles sur le marché, enveloppez les tuyaux de liquide et de gaz avec des matériaux isolants vendus dans le commerce (résistant à une chaleur de 100 °C, 212 °F ou supérieure et d'une épaisseur de 12 mm (15/32 in.) ou plus).
- Les parties intérieures du tuyau d'écoulement doivent être enveloppées de matériaux isolants en mousse de polyéthylène (d'une gravité spécifique de 0,03 et d'une épaisseur de 9 mm (11/32 in.) ou plus).
- Appliquez un film mince d'huile réfrigérante sur la surface de contact entre le tuyau et le support du joint avant de serrer l'écrou évasé.
- Le raccordement est réalisé en alignant d'abord le centre puis en serrant les 3 ou 4 premiers tours de l'écrou de fixation à évasement.
- Utilisez deux clés pour serrer les connexions des tuyaux.
- Utilisez le matériau d'isolation des tuyaux fourni pour envelopper les connexions des appareils intérieurs. Effectuez l'isolation avec soin.
- Après le raccordement du tuyau de réfrigérant à l'appareil intérieur, vérifiez toutes les connexions et assurez-vous qu'il n'y a pas de fuite de gaz en envoyant de l'azote à l'état gazeux dans les tuyaux. (Vérifiez qu'il n'y a pas de fuite de réfrigérant au niveau du tuyau de réfrigérant connecté à l'appareil intérieur.)
- Utilisez l'écrou évasé monté sur cet appareil intérieur.
- En cas de repose des tuyaux de réfrigérant après démontage, refaites la partie évasée du tuyau.

#### ⚠ Avertissement :

- **Attention aux écrous évasés volants ! (pressurisation interne)**  
Retirez l'écrou évasé en procédant comme suit :  
  1. Desserrez l'écrou jusqu'à ce qu'un sifflement se fasse entendre.
  2. Ne retirez pas l'écrou tant que tout le gaz ne s'est pas complètement échappé (c'est-à-dire lorsque le sifflement s'arrête).
  3. Vérifiez si tout le gaz s'est échappé avant de retirer l'écrou.
- Pendant l'installation de l'appareil, branchez correctement les tuyaux de réfrigérant avant de lancer le compresseur.

#### ⚠ Attention :

- Pour réduire le risque de défaillances du compresseur ou des valves, suivez les instructions ci-dessous pour empêcher les composants abrasifs présents dans le papier de verre ou les outils de découpe d'entrer dans le circuit de réfrigérant.**
- Pour ébavurer les tuyaux, utilisez un alésoir ou d'autres outils d'ébavurage et non du papier de verre ou des outils de ponçage qui utilisent des matériaux abrasifs.
  - Pour couper les tuyaux, utilisez un coupe-tuyaux et non une meuleuse ou d'autres outils qui utilisent des matériaux abrasifs.
  - Lors de la coupe ou de l'ébavurage des tuyaux, ne laissez pas des copeaux de métal ou d'autres matières étrangères pénétrer dans les tuyaux.
  - Si des copeaux de découpe ou d'autres matières étrangères pénètrent dans les tuyaux, essayez l'intérieur des tuyaux pour les éliminer.

#### Ⓐ Dimension de l'évasement

Diam. ext. Tuyau en cuivre (mm, in.)	Dimensions évasement Dimensions $\varnothing A$ (mm, in.)
$\varnothing$ 6,35, 1/4	8,7 à 9,1, 11/32 à 23/64
$\varnothing$ 12,7, 1/2	16,2 à 16,6, 5/8 à 21/32

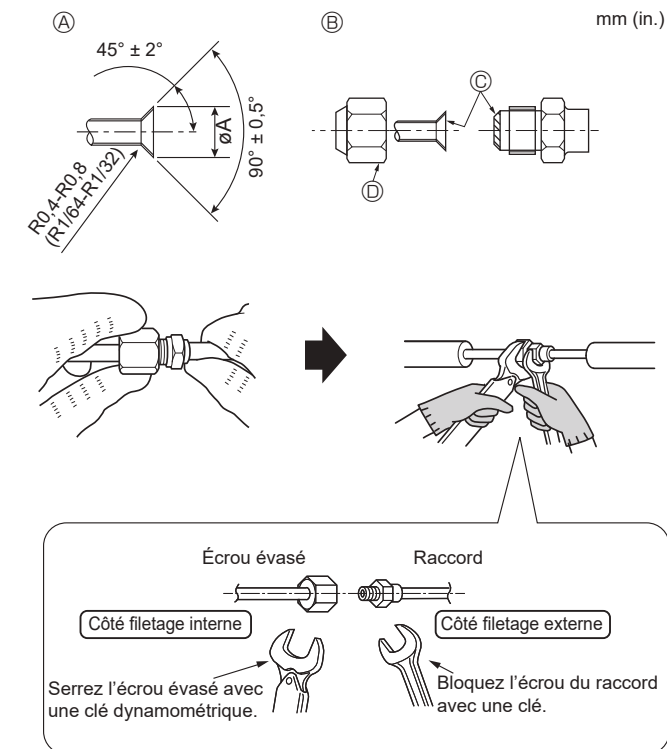


Fig. 3-2

#### Ⓑ Tailles des tuyaux de réfrigérant et couple de serrage des écrous évasés

	R454B				D.E. écrou évasé	
	Tuyau à liquide		Tuyau à gaz		Tuyau à liquide (mm, in.)	Tuyau à gaz (mm, in.)
	Diamètre du tuyau (mm, in.)	Couple de serrage (N·m, ft·lbs)	Diamètre du tuyau (mm, in.)	Couple de serrage (N·m, ft·lbs)		
L05/08/12/15/18	DE $\varnothing$ 6,35, 1/4	14 à 18, 10 à 13	DE $\varnothing$ 12,7, 1/2	49 à 61, 36 à 45	17, 21/32	26, 1-1/32

#### Ⓒ Appliquer de l'huile réfrigérante sur toute la surface évasée du fond.

\* Ne pas appliquer d'huile réfrigérante sur les vis.

(Les écrous évasés risquent davantage de se desserrer.)

#### Ⓓ Veiller à utiliser les écrous évasés joints à l'appareil principal.

(L'utilisation des produits disponibles dans le commerce peut entraîner des craquements.)

### 3. Tuyau de réfrigérant et tuyau de vidange

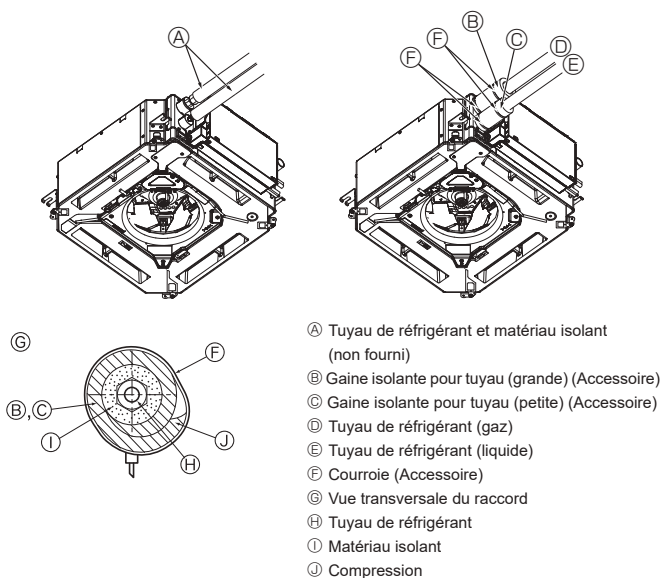


Fig. 3-3

- A Tuyau de réfrigérant et matériau isolant (non fourni)
- B Gaine isolante pour tuyau (grande) (Accessoire)
- C Gaine isolante pour tuyau (petite) (Accessoire)
- D Tuyau de réfrigérant (gaz)
- E Tuyau de réfrigérant (liquide)
- F Courroie (Accessoire)
- G Vue transversale du raccord
- H Tuyau de réfrigérant
- I Matériau isolant
- J Compression

### 3.3. Appareil intérieur (Fig. 3-3)

#### Isolation des tuyaux de réfrigérant contre la chaleur :

- ① Enroulez la gaine isolante de grande dimension fournie autour du tuyau de gaz, en vous assurant que l'extrémité de la gaine isolante touche le côté de l'appareil.
  - ② Enroulez la gaine isolante de petite dimension fournie autour du tuyau de liquide, en vous assurant que l'extrémité de la gaine isolante touche le côté de l'appareil.
  - ③ Fixez les deux extrémités de chaque gaine isolante à l'aide des bandes fournies. (Attachez les bandes à 20 mm (25/32 in.) des extrémités des gaines isolantes.) Vérifiez que la fente dans la gaine isolante est orientée vers le haut une fois celui-ci installé.
- Après le raccordement du tuyau de réfrigérant à l'appareil intérieur, vérifiez toutes les connexions et assurez-vous qu'il n'y a pas de fuite de gaz en envoyant de l'azote à l'état gazeux dans les tuyaux. (Vérifiez qu'il n'y a pas de fuite de réfrigérant au niveau du tuyau de réfrigérant connecté à l'appareil intérieur.)

Après avoir chargé le réfrigérant dans l'appareil intérieur, veuillez inscrire la date dans la colonne "DATE OF FIRST CHARGE" (DATE DE LA PREMIÈRE CHARGE) de la plaque signalétique.

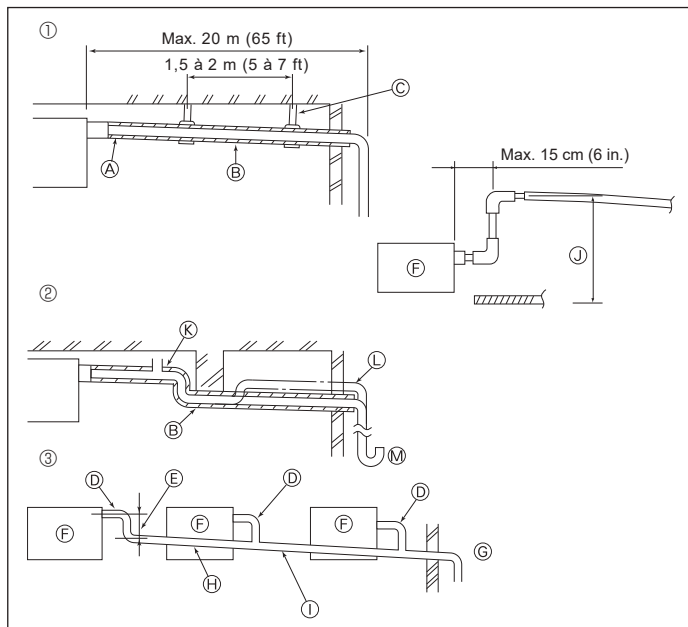


Fig. 3-4

### 3.4. Mise en place du tuyau d'écoulement (Fig. 3-4)

- Utilisez du tube VP25 (PVC, D.E.  $\varnothing$  32 mm (1-1/4 in.)) pour réaliser le tuyau d'écoulement et prévoyez une pente descendante d'au moins 1 %.
- Veillez à toujours raccorder les joints des tuyauteries à l'aide d'adhésif de type polyvinyle.
- Suivez le schéma pour effectuer la mise en place de la tuyauterie.
  - ① Tuyauterie correcte
  - ② Tuyauterie incorrecte
    - Ne pas placer de purgeur d'air. Cela peut provoquer un débordement de l'écoulement. Ⓚ
    - Ne pas placer de tuyau surélevé sur la tuyauterie. Ⓛ
    - Ne pas placer de pièges à odeur sur la tuyauterie. Ⓜ
  - ③ Mise en place groupée des tuyaux
- Utilisez le tuyau d'écoulement fourni pour modifier le sens d'évacuation.
  - A Isolation (9 mm (11/32 in.) minimum)
  - B Pente descendante (1 % minimum)
  - C Support métallique
  - K Purgeur d'air
  - L Relevé
  - M Piège à odeurs
  - D TUBE PVC D.E.  $\varnothing$  32 mm (1-1/4 in.)
  - E À réaliser le plus grand possible
  - F Appareil intérieur
  - G Prévoyez un orifice suffisamment grand pour la mise en place groupée des tuyaux.
  - H Pente descendante (1 % minimum)
  - I TUBE PVC D.E.  $\varnothing$  38 mm (1-1/2 in.) pour la mise en place groupée des tuyaux. (Isolation de 9 mm (11/32 in.) minimum)
  - J Jusqu'à 850 mm (33 in.)

1. Raccordez la prise d'écoulement (fournie avec l'appareil) à l'orifice de drainage. (Fig. 3-5)  
(Apposez le tube à l'aide de ruban adhésif PVC puis fixez-le avec une sangle.)
2. Installez un tuyau de drainage à vous procurer sur place (tuyau en PVC, D.E.  $\varnothing$  32 mm (1-1/4 in.)).  
(Apposez le tuyau à l'aide de ruban adhésif PVC puis fixez-le avec une sangle.)
3. Isolez le tube et le tuyau. (tuyau en PVC, D.E.  $\varnothing$  32 mm (1-1/4 in.) et prise)
4. Vérifiez que le drainage s'écoule normalement.
5. Isolez l'orifice de drainage avec un matériau isolant, puis fixez l'isolant avec une sangle. (Le matériau isolant et la sangle sont tous deux fournis avec l'appareil.)

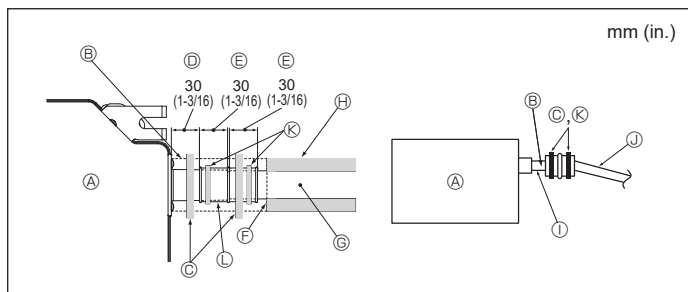


Fig. 3-5

- A Appareil
- B Matériau isolant
- C Courroie (large)
- D Orifice de drainage (transparent)
- E Marge d'insertion
- F Correspondance
- G Tuyau de drainage (TUBE PVC D.E.  $\varnothing$  32 mm (1-1/4 in.))
- H Matériau isolant (non fourni)
- I Tuyau en PVC transparent
- J TUBE PVC D.E.  $\varnothing$  32 mm (1-1/4 in.) (pente de 1 % minimum)
- K Courroie (moyenne)
- L Orifice d'écoulement

## 4. Installations électriques

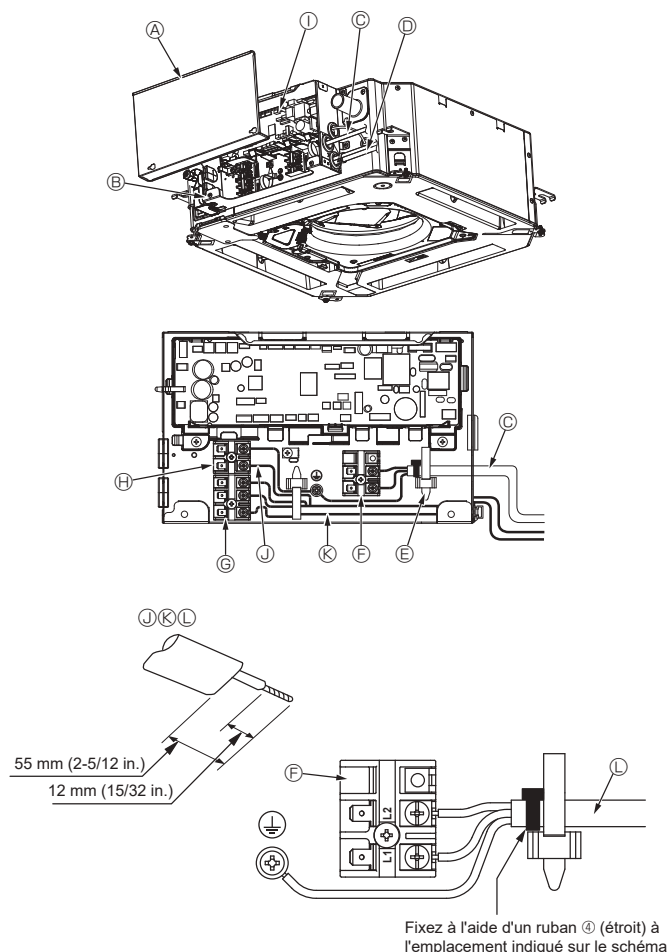


Fig. 4-1

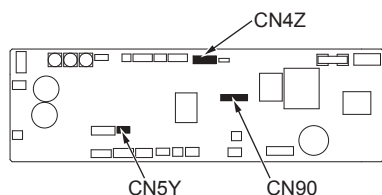


Fig. 4-2

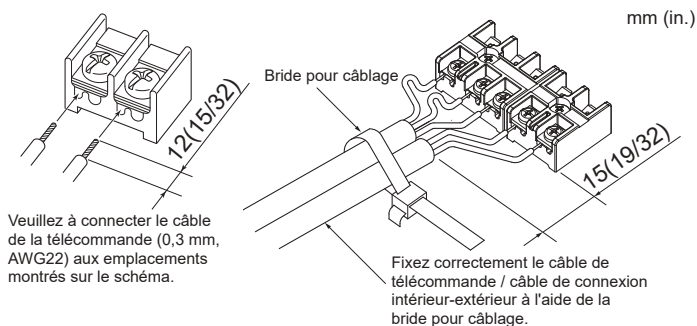


Fig. 4-3

### 4.1. Attention

1. Suivez le règlement de votre organisation gouvernementale pour connaître les normes techniques associées à l'équipement électrique, les réglementations relatives au câblage et les directives de chaque compagnie électrique.
2. Les câbles de commandes (ci-après dénommés la ligne de transmission) doivent être maintenus éloignés (de 5 cm ou plus) des câbles de la source d'alimentation de sorte à ne pas être influencés par le bruit électrique provenant de l'alimentation. (Ne jamais introduire la ligne de transmission et les câbles d'alimentation dans la même gaine.)

### 4.2. Appareil intérieur (Fig. 4-1, Fig. 4-2, Fig. 4-3)

1. Desserrez les deux vis de fixation du couvercle des composants électriques, puis faites glisser le couvercle et retirez-le.
2. Faites passer chaque câble à travers l'entrée de câblage dans le boîtier des composants électriques. (Le câble d'alimentation et le câble de commande ne sont pas fournis et doivent être achetés séparément.)
3. Raccordez solidement les câbles d'alimentation et de commande aux borniers.
4. Fixez les fils à l'aide de brides pour câblage à l'intérieur du boîtier des composants électriques. Fixez les fils à l'aide de brides pour câblage de façon à amortir entièrement la tension générée sur les fils pour protéger les sections de raccordement du bloc de sortie.
5. Fixez le couvercle des composants électriques tel qu'il l'était.
  - Ne laissez pas les vis des borniers desserrés.
  - Raccordez toujours à la terre. (Diamètre du câble de terre : supérieur à 1,6 mm (1/16 in.))
  - Fixez le câble d'alimentation et le câble de commande au boîtier des composants électriques à l'aide d'une traversée isolée munie d'une protection contre la traction. (Connexion PG ou similaire.)
  - Du ruban adhésif est fixé sur l'orifice du conduit utilisé pour raccorder le câblage électrique. Retirez ce ruban adhésif si vous réalisez une connexion à travers cet orifice.

- |   |                                       |
|---|---------------------------------------|
| Ⓐ Couvercle des composants électriques                        | Ⓒ Bornier de transmission (M1, M2, S) |
| Ⓑ Boîtier des composants électriques                          | Ⓓ Bornier de la télécommande (1, 2)   |
| Ⓓ Entrée du câble d'alimentation                              | Ⓘ Contrôleur intérieur                |
| Ⓔ Entrée du câble de télécommande et du câble de transmission | Ⓝ Câble de la télécommande            |
| Ⓔ Collier de câble  | Ⓚ Câble de transmission               |
| Ⓕ Bornier d'alimentation (L1, L2)                             | Ⓛ Câble d'alimentation                |

#### ⚠ Attention :

- Avant d'installer la grille, vérifiez que le câble de jonction est raccordé.
- Si la grille est équipée d'un récepteur de signal ou d'un Capteur i-see, le pack de la grille est fourni avec les câbles de jonction.

- En cas d'utilisation du panneau avec un récepteur de signal sans fil ou un Capteur i-see, installez le câble de jonction sans fil pour la connexion avec le câble du panneau, en suivant les étapes ci-après, avant d'installer l'appareil principal.

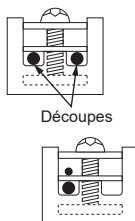
- |                           |      |
|---------------------------|------|
| Récepteur de signal :     | CN90 |
| Capteur i-see :           | CN5Y |
| Moteur du Capteur i-see : | CN4Z |

#### ⚠ Avertissement :

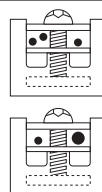
- Engagez le couvercle des composants électriques dans les crochets du support du boîtier électrique et fixez correctement le couvercle. S'il est mal fixé, un incendie ou un choc électrique risquent de se produire en raison de la présence de poussière, d'eau, etc.
- Utilisez le câble de connexion spécifié pour raccorder les appareils intérieurs et extérieurs et fixez le câble fermement sur le bornier de façon à ce que le bornier ne subisse aucune contrainte. Un raccordement incomplet ou une fixation faible pourraient provoquer un incendie.

<Lors du branchement de deux câbles de raccordement intérieur-extérieur>

- Si les câbles sont de même diamètre, insérez-les dans les découpes situées des deux côtés.
- Si les câbles sont de diamètre différent, insérez-les d'un seul côté dans des espaces séparés en plaçant un câble au-dessus de l'autre.



⊘  
AVERTISSEMENT



- Il est interdit de raccorder deux câbles d'un même côté.
- Il est interdit de raccorder trois câbles ou plus à la même borne.
- Il est interdit de raccorder des câbles de diamètres différents.

Lorsqu'un fil massif est utilisé, l'utilisation d'une borne sertie à embout circulaire ou toute intervention sur les bornes sont interdites.

## 4. Installations électriques

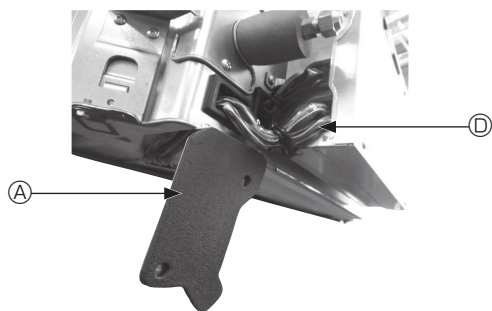


Fig. 4-4

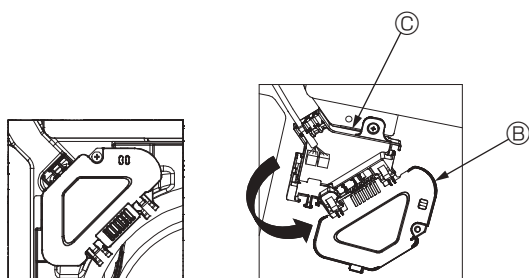


Fig. 4-5

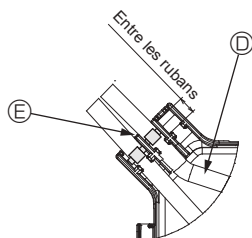


Fig. 4-6

### 4.2.1. Installation du Capteur i-see et du récepteur de signal

Avant d'installer la grille, connectez les fils de jonction fournis avec les accessoires de la grille, et placez-les dans la boîte de raccordement.

- ① Retirez les deux vis de fixation du couvercle des fils de l'appareil principal, puis ouvrez le couvercle.
- ② Faites passer les fils du Capteur i-see et du récepteur de signal dans les entrées de fils du boîtier des composants électriques, comme montré sur le schéma, et autour des traversées isolées sur le côté de l'appareil principal. (Fig. 4-4)  
Lors du passage des câbles, ouvrez le collier qui fixe le fil de jonction de la grille, puis fixez le fil de jonction de la grille et les fils du Capteur i-see et du récepteur de signal à l'aide du collier.
- ③ Retirez la vis de fixation du couvercle de la boîte de raccordement, puis ouvrez le couvercle. (Fig. 4-5)
- ④ Placez le connecteur du fil de jonction dans la boîte de raccordement.
- ⑤ Installez le couvercle des fils et le couvercle de la boîte de raccordement.

#### ⚠ Attention :

Lors de l'installation des couvercles, vérifiez que les fils ne soient pas pincés. Placez le ruban de fixation des fils de jonction entre les rainures de la boîte de raccordement, comme indiqué sur le schéma. (Fig. 4-6)

- Ⓐ Couvercle des fils
- Ⓑ Couvercle de la boîte de raccordement
- Ⓒ Boîte de raccordement
- Ⓓ Fil du Capteur i-see ou du récepteur de signal (Accessoire de la grille)
- Ⓔ Ruban

## 4. Installations électriques

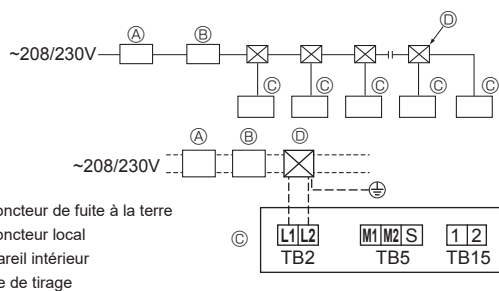


Fig. 4-7

- (A) Disjoncteur de fuite à la terre
- (B) Disjoncteur local
- (C) Appareil intérieur
- (D) Boîte de tirage

### 4.3. Câblage de l'alimentation (Fig. 4-7)

- Les dimensions de câblage doivent respecter la réglementation applicable au niveau local et national.
- Utiliser des fils électriques en cuivre.
- Utiliser des fils UL de 300 V ou plus pour les câbles d'alimentation.
- Le câble d'alimentation de l'appareil doit au minimum respecter les normes 245 IEC 53 ou 227 IEC57, 245 IEC 53 ou 227 IEC 53.
- Installez un fil de terre plus long que les autres câbles.
- L'installation du climatiseur doit prévoir un commutateur avec une distance d'au moins 3 mm, 1/8 in. entre chaque borne.
- L'interrupteur local et le disjoncteur doivent toujours être activés, sauf lors du nettoyage ou des contrôles. (Lorsque R454B est utilisé)
- Apposez l'étiquette ⑦ du disjoncteur et expliquez-la à vos clients.
- Lorsque l'interrupteur local ou le disjoncteur est désactivé, le capteur de réfrigérant ne détecte pas les fuites de réfrigérant parce que l'alimentation électrique est coupée.

#### ⚠ Avertissement :

**N'épissez jamais le câble d'alimentation ou le câble de raccordement intérieur-extérieur car cela pourrait provoquer de la fumée, un incendie ou une erreur de communication.**

Courant total d'exploitation de l'appareil intérieur	Épaisseur minimum câble (mm <sup>2</sup> , N° AWG)			Disjoncteur de fuite de terre *1	Commutateur local (A)		Disjoncteur pour câblage (NFB)
	Câble principal	Dérivation	Terre		Capacité	Fusible	
F0 = 16 A ou moins *2	1,5, AWG14	1,5, AWG14	1,5, AWG14	Sensibilité au courant 20 A *3	16	16	20
F0 = 25 A ou moins *2	2,5, AWG13	2,5, AWG13	2,5, AWG13	Sensibilité au courant 30 A *3	25	25	30
F0 = 32 A ou moins *2	4,0, AWG11	4,0, AWG11	4,0, AWG11	Sensibilité au courant 40 A *3	32	32	40

Appliquez à IEC61000-3-3 environ l'impédance max. de système autorisée.

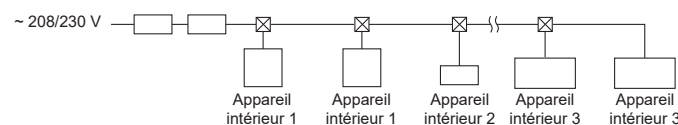
\*1 Le disjoncteur de fuite à la terre doit prendre en charge le circuit onduleur.

Le disjoncteur de fuite à la terre doit se combiner à l'utilisation du commutateur local ou du disjoncteur.

\*2 Prenez la plus grande des deux valeurs entre F1 ou F2 comme valeur pour F0.

F1 = Courant total maximum des appareils intérieurs × 1,2

F2 = {V1 × (Quantité de l'appareil intérieur 1)/C} + {V1 × (Quantité de l'appareil intérieur 2)/C} + {V1 × (Quantité de l'appareil intérieur 3)/C} + ...



• V1 et V2

V1 et V2 sont le coefficient de rupture.

V1 : coefficient de rupture du courant nominal

V2 : coefficient de rupture de sensibilité au courant

Les valeurs de V1 et V2 varient en fonction du modèle. Par conséquent, reportez-vous au mode d'emploi de chaque modèle.

• C : Multiple de courant de déclenchement au temps de déclenchement 0,01 s

Prenez "C" dans les caractéristiques de déclenchement du disjoncteur.

	V1	V2
PLFY-NFMU	19,8	2,4

<Exemple de calcul "F2">

\*Condition : PLFY-NFMU × 2 + PLFY-NEMU × 2 + PEFY-NMAU × 1

V1 de PLFY-NFMU = 19,8, V1 de PLFY-NEMU = 19,8, V1 de PEFY-NMAU = 38, C = 8 (voir l'exemple de graphique à droite)

$$F2 = 19,8 \times 2/8 + 19,8 \times 2/8 + 38 \times 1/8$$

$$= 14,65$$

→ disjoncteur 15 A (courant de déclenchement = 8 × 15 A à 0,01 s)

\*3 La sensibilité de courant est calculée selon la formule suivante.

$$G1 = V2 \times (\text{Quantité de l'appareil intérieur 1}) + V2 \times (\text{Quantité de l'appareil intérieur 2}) + V2 \times (\text{Quantité de l'appareil intérieur 3}) + \dots + V3 \times (\text{longueur de câble [km]})$$

<Exemple de calcul de "G1">

\*Condition : PLFY-NFMU × 2 + PLFY-NEMU × 2 + PEFY-NMAU × 1

V2 de PLFY-NFMU = 2,4, V2 de PLFY-NEMU = 2,4, V2 de PEFY-NMAU = 1,6, Épaisseur et longueur de câble :

1,5 mm<sup>2</sup> (AWG14) 0,2 km

$$G1 = 2,4 \times 2 + 2,4 \times 2 + 1,6 \times 1 + 48 \times 0,2$$

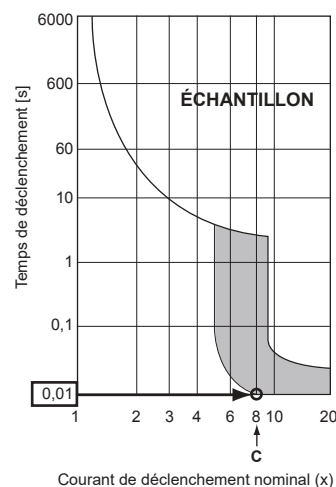
$$= 20,8$$

Par conséquent, la sensibilité au courant est de 30 mA 0,1 s ou moins.

G1	Sensibilité en courant
Inférieure ou égale à 30	Inférieure ou égale à 30 mA 0,1 s
Inférieure ou égale à 100	Inférieure ou égale à 100 mA 0,1 s

Épaisseur câble	V3
1,5 mm <sup>2</sup> , AWG14	48
2,5 mm <sup>2</sup> , AWG13	56
4,0 mm <sup>2</sup> , AWG11	66

Diagramme d'échantillon



### 4.4. Types de câbles de commande

#### 1. Mise en place des câbles de transmission

Types de câbles de transmission	Câble blindé Utilisez un fil UL avec une tension de 300 V
Diamètre du câble	Supérieur à 1,25 mm <sup>2</sup> (AWG16)
Longueur	Inférieure à 200 m (656 ft)

#### 2. Câble de télécommande MA

Types de câble de télécommande	Câble à 2 âmes (non blindé) Utilisez un fil UL avec une tension de 300 V
Diamètre du câble	0,3 à 1,25 mm <sup>2</sup> (AWG22 à AWG16)
Longueur	Inférieure à 200 m (656 ft)

### 4.5. Raccordement des câbles de télécommande et des câbles de transmission intérieur et extérieur (Fig. 4-8)

- Raccordez l'appareil intérieur TB5 et l'appareil extérieur TB3. (2 fils non polarisés)
- Le "S" sur l'appareil intérieur TB5 est une connexion blindée. Pour plus d'informations au sujet des câbles de connexion, veuillez consulter le manuel d'installation de l'appareil extérieur.

- Installez une télécommande en suivant les instructions du manuel fourni avec la télécommande.

- Raccordez le câble de transmission de la télécommande à l'aide d'un câble à une âme de 10 m (33 ft) de longueur et de 0,75 mm<sup>2</sup> (AWG18) de section. Si la distance est supérieure à 10 m (33 ft), utilisez un câble de jonction de 1,25 mm<sup>2</sup> (AWG16) de section.

#### ① Télécommande MA

- Raccordez "1" et "2" de l'appareil intérieur TB15 à une télécommande MA. (2 fils, non polarisés)

- Courant continu de 9 à 13 V entre 1 et 2 (télécommande MA)

#### ② Télécommande sans fil (en cas d'installation d'un récepteur de signal sans fil)

- Connectez le fil du récepteur de signal sans fil (câble à 9 pôles) au panneau du contrôleur intérieur CN90.

- Pour changer les numéros de paire, veuillez consulter le manuel fourni avec la télécommande sans fil. (le numéro de paire utilisé avec la configuration par défaut de l'appareil intérieur et de la télécommande sans fil est 0.)

Ⓐ Bornier du câble de transmission intérieur

Ⓑ Bornier du câble de transmission extérieur (M1(A), M2(B), ⊕(S))

Ⓒ Télécommande

Ⓓ Récepteur de signal sans fil

Ⓔ Télécommande sans fil

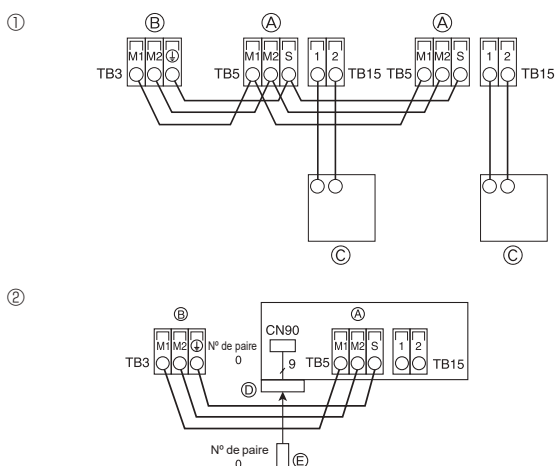


Fig. 4-8

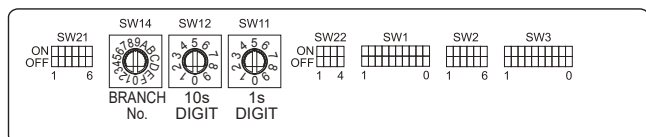


Fig. 4-9

### 4.6. Définition des adresses (Fig. 4-9)

(Veuillez à effectuer cette procédure en CROUPANT l'alimentation principale.)

- Deux types de réglage de commutateur rotatif sont disponibles : attribution des adresses 1 à 9 et au-delà de 10, et attribution de numéros de branche.

#### ① Comment définir les adresses

Exemple : Si l'Adresse est "3", conservez SW12 (adresses au-delà de 10) sur "0", et faites correspondre SW11 (adresses 1 à 9) avec "3".

#### ② Comment définir les numéros de branche SW14 (Série R2 uniquement)

Faites correspondre la conduite de réfrigérant de l'appareil intérieur avec le numéro du raccordement d'extrémité du contrôleur BC.

Conservez "0" pour les séries autres que R2.

- Les commutateurs rotatifs sont tous réglés sur "0" à la sortie d'usine. Ces commutateurs peuvent être utilisés pour définir les adresses des appareils et les numéros de branche selon les besoins.

- La détermination des adresses de l'appareil intérieur varie selon le système sur le site. Veuillez consulter le Livre de données pour les définir.

### 4.7. Détection de la température ambiante via le capteur intégré d'une télécommande (Fig. 4-9)

Pour détecter la température ambiante via le capteur intégré d'une télécommande, sur le panneau de commande, réglez SW1-1 sur "ON". Le réglage de SW1-7 et SW1-8, si nécessaire, permet aussi d'ajuster le flux d'air à un moment où le thermomètre du chauffage est sur OFF.

## 4. Installations électriques

### 4.8. Paramétrage des commutateurs en cas de plafond haut (Fig. 4-9)

Avec cet appareil, le flux d'air et la vitesse de ventilateur peuvent être ajustés via les commutateurs SW21-1 et SW21-2. Sélectionnez un paramètre approprié dans le tableau ci-dessous en fonction de l'emplacement de l'installation.

\* Assurez-vous que les commutateurs SW21-1 et SW21-2 sont réglés, sans quoi des problèmes tels que l'absence de production de froid/chauffage pourraient se produire.

	SW21-1	SW21-2	Hauteur
Silencieux	–	ON	2,5 m, 8,2 ft
Standard	OFF	OFF	2,7 m, 8,9 ft : réglage par défaut
Plafond haut	ON	OFF	3,0 m, 9,8 ft

### 4.9. Paramétrage des commutateurs pour le Capteur i-see (Fig. 4-9)

Avec le panneau de Capteur i-see, SW3-4 doit être ajusté en fonction de la position du Capteur i-see. (Voir la page 19.)

	SW3-4	
Position ①	OFF	Position "□"
Position ③	ON	Position "○" : réglage par défaut

### 4.10. Réglage des commutateurs pour la direction du flux d'air horizontal (Fig. 4-9)

L'angle du flux d'air horizontal peut être modifié à l'aide des commutateurs SW3-5.

	SW3-5	
Sans courant d'air	OFF	
Réglage vers le bas	ON	Réglage par défaut

### 4.11. Caractéristiques électriques

Acronymes : MCA : Ampères min. circuit (= 1,25×FLA) FLA : Full Load Amps / Ampérage à pleine charge  
IFM : Indoor Fan Motor / Moteur de ventilateur intérieur Sortie : Sortie nominale du moteur de ventilateur

Modèle	Volts/ Hz	Alimentation		IFM	
		Plage +/- 10 %	MCA (A)	Sortie (kW)	FLA (A)
PLFY-L05NFMU-A	208/230 V / 60 Hz	Max. : 253 V Min. : 187 V	0,36	0,05	0,29
PLFY-L08NFMU-A			0,36	0,05	0,29
PLFY-L12NFMU-A			0,36	0,05	0,29
PLFY-L15NFMU-A			0,36	0,05	0,29
PLFY-L18NFMU-A			0,36	0,05	0,29

### 4.12. Comment régler la direction fixe de l'air vers le haut/bas (Pour télécommande filaire uniquement)

- Pour le modèle PLFY-NFMU, seule la sortie particulière peut être fixée dans une certaine direction via les procédures détaillées ci-après. Une fois cette opération effectuée, seule la sortie réglée est fixe à chaque activation du climatiseur. (Les autres sorties suivent le réglage de direction de l'air UP/DOWN [haut/bas] de la télécommande filaire.)

#### ■ Explication des termes

- "N° d'adresse d'appareil intérieur" est le numéro assigné à chaque climatiseur.
- "N° de sortie" est le numéro assigné à chaque sortie du climatiseur. (Voir l'illustration à droite.)
- "Direction haute/basse du flux d'air" est la direction (l'angle) à fixer.

Flux d'air horizontal



#### Réglage de la télécommande

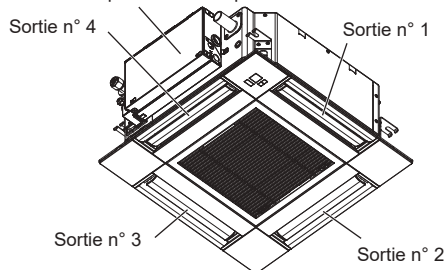
La direction du flux d'air de cette sortie est contrôlée par le réglage de direction du flux d'air de la télécommande.

#### Réglage fixe

La direction du flux d'air de cette sortie est fixée dans une direction particulière.

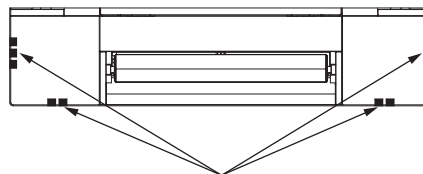
\* Lorsque le flux d'air direct provoque une sensation de froid, la direction de la sortie peut être fixée horizontalement pour éviter un flux d'air direct.

Boîtier des composants électriques



#### Remarque :

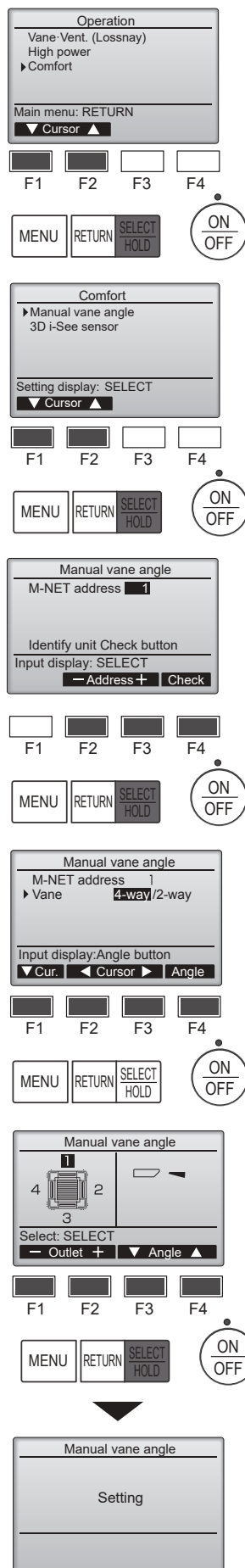
Le No. de sortie est indiqué par le nombre de rainures aux deux extrémités de chaque sortie d'air. Réglez la direction de l'air tout en vérifiant les informations indiquées sur l'affichage de la télécommande.



Marques d'identification de la sortie d'air

## 4. Installations électriques

### ■ Angle de rotation des volets (Télécommande filaire)



① Dans le menu Operation (Fonctionnement), sélectionnez "Comfort" (Confort) puis appuyez sur la touche [SELECT/HOLD] (SÉLECTION/EN ATTENTE).

② Sélectionnez "Manual vane angle" (Angle de volet manuel) avec les touches [F1] ou [F2], et appuyez sur la touche [SELECT/HOLD] (SÉLECTION/EN ATTENTE).

③ Sélectionnez, à l'aide de la touche [F2] ou [F3], la "M-NET address" (adresse M-NET) pour les unités dont les ailettes doivent être fixes, puis appuyez sur la touche [SELECT/HOLD] (SÉLECTION/EN ATTENTE).

Appuyez sur la touche [F4] pour confirmer le numéro.

L'ailette de l'appareil intérieur cible seulement est orientée vers le bas.

④ Sélectionnez "Vane" (Ailette) à l'aide de la touche [F1].

Sélectionnez "4-way" (4 voies) ou "2-way" (2 voies) à l'aide de la touche [F2] ou [F3] et appuyez sur la touche [F4].

⑤ Le réglage actuel du déflecteur s'affiche.

Sélectionnez la sortie d'air désirée, de 1 à 4, à l'aide de [F1] et [F2].

• Sortie : "1", "2", "3", "4" et "1, 2, 3, 4 (Tous les sorties)"

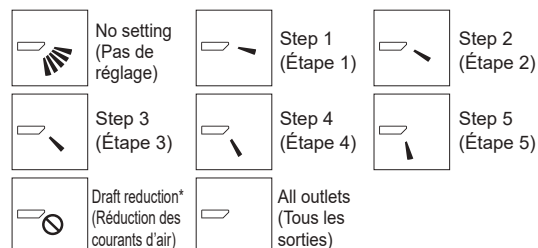
Appuyez sur le bouton [F3] ou [F4] pour faire défiler les options dans l'ordre suivant : "No setting (reset)" (Pas de réglage (réinitialisation)), "Step 1" (Étape 1), "Step 2" (Étape 2), "Step 3" (Étape 3), "Step 4" (Étape 4), "Step 5" (Étape 5) et "Draft reduction" (Réduction des courants d'air)\*. Choisissez le réglage désiré.

\* Draft reduction (Réduction des courants d'air)  
Le sens du flux d'air pour ce réglage est plus horizontal que le sens du flux d'air de "Step 1" (Étape 1) afin de réduire la sensation de courant d'air. La réduction de courant d'air ne peut être réglée que pour 1 ailette.

#### Remarque :

N'utilisez pas le réglage Réduction des courants d'air dans un environnement très humide. De la condensation pourrait se former et s'échapper.

### ■ Réglage du déflecteur



Pressez la touche [SELECT/HOLD] (SÉLECTION/EN ATTENTE) pour enregistrer les paramètres.

Un écran s'affiche pour vous informer que les réglages sont en cours d'envoi.

Les changements seront effectués sur la sortie sélectionnée.

L'écran revient automatiquement à celui indiqué ci-dessus (Étape 5) à la fin de la transmission.

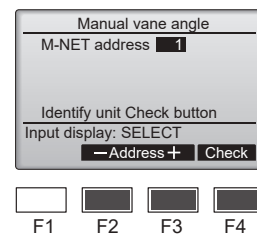
Effectuez les réglages pour les autres sorties, selon la même procédure.

Si toutes les sorties sont sélectionnées, sera affiché à la prochaine mise en route de l'appareil.

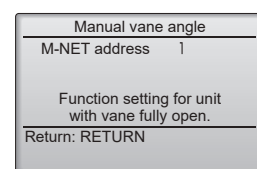
Naviguer dans les écrans

• Pour revenir à l'écran précédent ..... Touche [RETURN] (RETOUR)

### ■ Procédure de vérification



① Sélectionnez, à l'aide de la touche [F2] ou [F3], la "M-NET address" (adresse M-NET) pour les unités dont les ailettes doivent être fixes. Appuyez sur la touche [F4] pour confirmer le numéro.



② Après avoir appuyé sur la touche [F4], attendez plus ou moins 15 secondes puis vérifiez l'état actuel du climatiseur.

→ Le volet est orienté vers le bas.

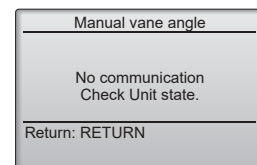
→ Ce climatiseur est affiché sur la télécommande.

→ Toutes les sorties sont fermées.

→ Appuyez sur la touche [RETURN] (RETOUR) et poursuivez l'opération depuis le début.

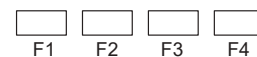
→ Les messages indiqués à gauche sont affichés. → L'appareil cible n'existe pas à cette adresse du réfrigérant.

• Appuyez sur la touche [RETURN] (RETOUR) pour revenir à l'écran initial.



③ Changez la "M-NET address" (adresse M-NET) par le numéro suivant.

• reportez-vous à l'étape ① pour changer la "M-NET address" (adresse M-NET) et poursuivez la confirmation.



#### ⚠ Attention :

Pour éviter les chutes, ayez une position stable lors de l'utilisation de l'appareil.

## 4. Installations électriques

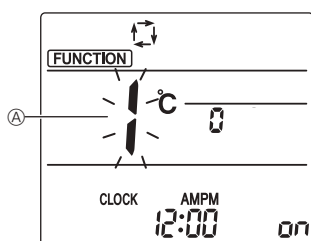
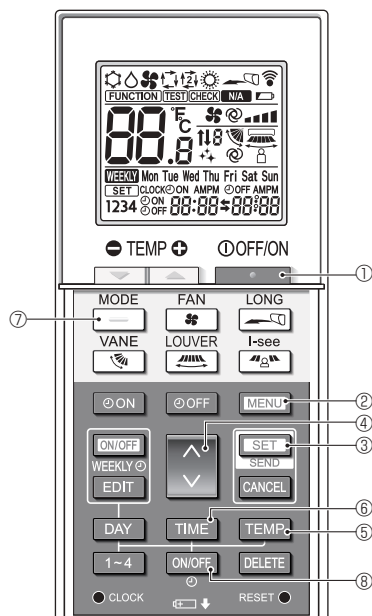


Fig. 4-10

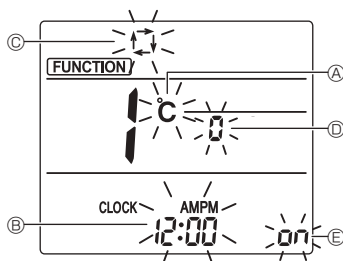


Fig. 4-11

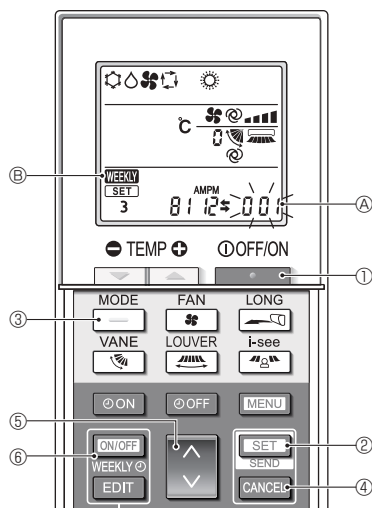


Fig. 4-12

### 4.13. Mode initial

Les réglages suivants peuvent être faits dans le mode de réglage initial.

Point de réglage	Réglage	Fig. 4-11
Unité de température	°C/°F	(A)
Affichage de l'heure	Format 12 heures/Format 24 heures	(B)
Mode AUTO	Point de réglage unique/Point de réglage double	(C)
N° de paire	0-3	(D)
Rétro-éclairage	Marche/arrêt	(E)

#### 4.13.1. Passage en mode de réglage initial

- Appuyez sur la touche ① pour arrêter le climatiseur.
  - Appuyez sur la touche ②.
- L'écran Réglage des fonctions s'affiche et le n° de la fonction (A) clignote. (Fig. 4-10)
- Vérifiez que la fonction n° "1" est affichée puis appuyez sur la touche ③.
- L'écran Réglage de l'affichage s'affiche. (Fig. 4-11)
- Appuyez sur la touche ④ pour changer le n° de fonction.

#### 4.13.2. Changement de l'unité de température (Fig. 4-11 (A))

- Appuyez sur la touche ⑤.
- À chaque pression sur la touche ⑤, le réglage change entre °C et °F.
- °C : La température est affichée en degrés Celsius.
- °F : La température est affichée en degrés Fahrenheit.

#### 4.13.3. Changement de l'affichage de l'heure (Fig. 4-11 (B))

- Appuyez sur la touche ⑥.
- À chaque pression sur la touche ⑥, le réglage change entre et .
- : L'heure est affichée au format 12 heures.
- : L'heure est affichée au format 24 heures.

#### 4.13.4. Changement du mode AUTO (Fig. 4-11 (C))

- Appuyez sur la touche ⑦.
- À chaque pression sur la touche ⑦, le réglage change entre et .
- : Le mode AUTO fonctionne comme le mode automatique habituel.
- : Le mode AUTO fonctionne en utilisant des points de réglage doubles.

#### 4.13.5. Changement du n° de paire (Fig. 4-11 (D))

- Appuyez sur la touche ④.
- À chaque pression sur la touche ④, le n° de paire 0-3 change.

Numéro de paire de la télécommande sans fil	Carte électronique d'appareil intérieur SW22		
	SW22-3	SW22-4	
0	ON	ON	Réglage Initial
1	OFF	ON	
2	ON	OFF	
3	OFF	OFF	

#### 4.13.6. Changement du réglage du rétro-éclairage (E)

- Appuyez sur la touche ⑧.
- À chaque pression sur la touche ⑧, le réglage change entre et .
- : Le rétroéclairage s'active lorsqu'une pression est exercée sur une touche.
- : Le rétroéclairage ne s'active pas lorsqu'une pression est exercée sur une touche.

#### 4.13.7. Achèvement des réglages

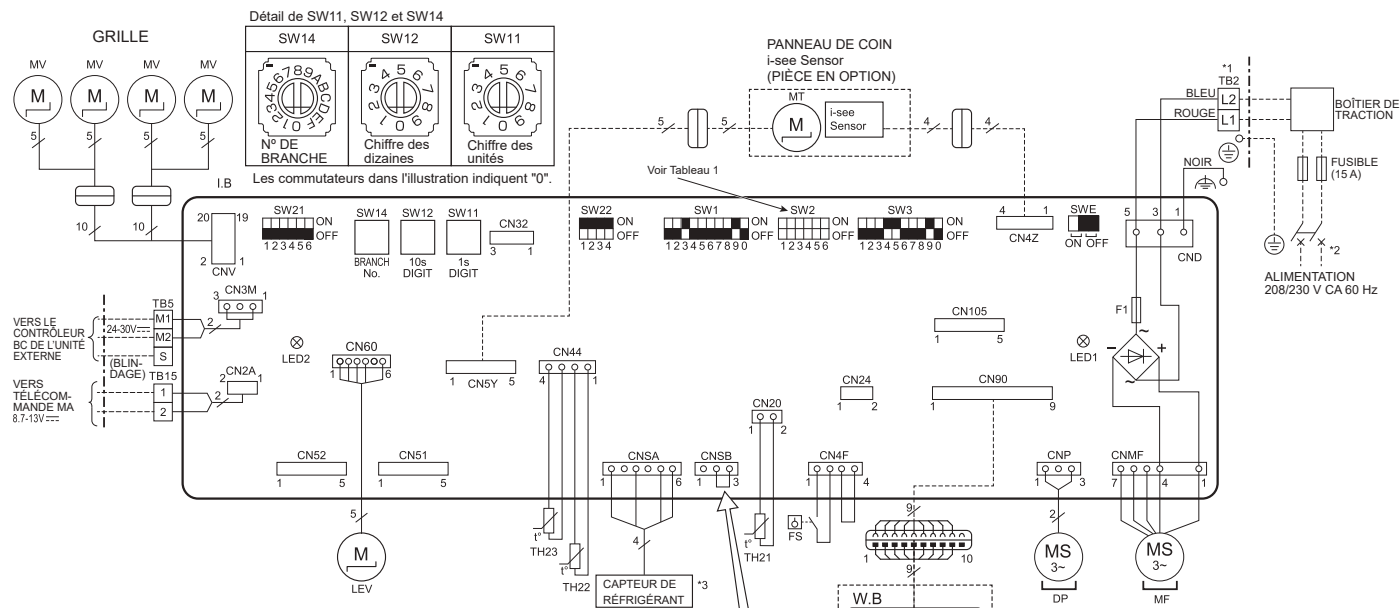
- Appuyez sur la touche ③.
- Le n° de fonction (A) clignote. (Fig. 4-10)
- Appuyez sur la touche ②.
- La télécommande quitte le mode de réglage initial. (Le climatiseur s'arrête.)

#### 4.13.8. Désactivation du mode AUTO (Fig. 4-12)

- Appuyez sur la touche ① pour arrêter le climatiseur.
- Si la minuterie hebdomadaire est activée, appuyez sur la touche ⑥ pour la désactiver. ( ③ disparaît.)
- Appuyez sur la touche ② pendant 5 secondes.
- L'appareil passe en mode de réglage des fonctions. (Le numéro de réglage du modèle (A) clignote.)
- Appuyez sur la touche ④.
- Entrez le numéro de réglage du modèle de groupe "066". (Le réglage par défaut est "002".)
- Achèvement des réglages (Fig. 4-12)
- Appuyez sur la touche ② pendant 5 secondes.
- La télécommande quitte le mode de réglage des fonctions.

## 4. Installations électriques

### 4.14. Schéma de câblage



#### REMARQUES :

- Lors de l'entretien de l'unité externe, toujours suivre le schéma de câblage de l'unité externe.
- Si la télécommande MA est utilisée, la connecter à TB15. (Le fil de la télécommande n'est pas polaire.)
- Symbole [S] de TB5 est la connexion du fil blindé.
- Les symboles utilisés dans le schéma de câblage sont, : bornier, : connecteur.
- Le réglage des commutateurs DIP SW2 diffère selon la capacité. Pour plus de détails, voir Tableau 1.
- Veiller à bien mettre les unités internes et externes hors tension avant de remplacer le panneau du contrôleur intérieur.
- Le carré noir (■) dans le schéma de câblage indique une position de commutateur.

\*1 Utiliser des fils d'alimentation en cuivre.

\*2 Se procurer un sectionneur conforme aux réglementations locales.

\*3 Ce capteur de réfrigérant ne doit être remplacé que par un capteur approuvé par le fabricant.

<Tableau 1>

MODÈLE	SW2	MODÈLE	SW2
05	ON OFF 123456	15	ON OFF 123456
08	ON OFF 123456	18	ON OFF 123456
12	ON OFF 123456		

Lors de l'installation d'unités internes dans un grand espace, le capteur de réfrigérant peut être désactivé en déconnectant le connecteur cavalier. Voir le manuel d'installation pour la définition d'un grand espace.

#### [LÉGENDE]

SYMBÔLE	NOM
I.B	PANNEAU DU CONTRÔLEUR INTÉRIEUR
CN24	CHAUFFAGE EXTERNE
CN32	COMMUTATEUR DISTANT
CN51	COMMANDE CENTRALE
CN52	INDICATION DISTANTE
CN105	TERMINAL INFORMATIQUE
F1	FUSIBLE (T6.3AL 250 V)
LED1	ALIMENTATION (IB)
LED2	ALIMENTATION (TÉLÉCOMMANDE MA)
SW1	SÉLECTION DU MODE
SW2	CODE DE CAPACITÉ
SW3	SÉLECTION DU MODE
SW11	RÉGLAGE D'ADRESSE CHIFFRE DES UNITÉS
SW12	RÉGLAGE D'ADRESSE CHIFFRE DES DIZAINES
SW14	N° DE BRANCHE
SW21	SÉLECTEUR DE HAUTEUR DU PLAFOND
SW22	RÉGLAGE DU NO. DE PAIRE
SWE	POMPE DE VIDANGE (MODE TEST)
DP	POMPE DE VIDANGE
LEV	DÉTENDEUR LINÉAIRE
MF	MOTEUR DE VENTILATEUR
MV	MOTEUR À PALETTES
FS	INTERRUPTEUR À FLOTTEUR
TB2	BORNIER ALIMENTATION
TB5	BORNIER TRANSMISSION
TB15	BORNIER TÉLÉCOMMANDE MA
TH21	THERMISTANCE DE TEMP. AMBIANTE (0 °C/15 kΩ, 25 °C/5,4 kΩ)(32 °F/15 kΩ, 77 °F/5,4 kΩ)
TH22	THERMISTANCE DE TEMP. DE TUYAU/LIQUIDE (0 °C/15 kΩ, 25 °C/5,4 kΩ)(32 °F/15 kΩ, 77 °F/5,4 kΩ)
TH23	THERMISTANCE DE TEMP. DE TUYAU/GAZ (0 °C/15 kΩ, 25 °C/5,4 kΩ)(32 °F/15 kΩ, 77 °F/5,4 kΩ)
PIÈCES EN OPTION	
W.B	CARTE DE TÉLÉCOMMANDE SANS FIL
BZ	AVERTISSEUR SONORE
LED1	FONCTIONNEMENT (VERT)
LED2	VEILLE (ORANGE)
RU	UNITÉ RÉCEPTRICE
SW1	FONCTIONNEMENT D'URGENCE (CHAUFFAGE)
SW2	FONCTIONNEMENT D'URGENCE (REFROIDISSEMENT)
MT	MOTEUR DE l'i-see Sensor

## 5. Installation de la grille

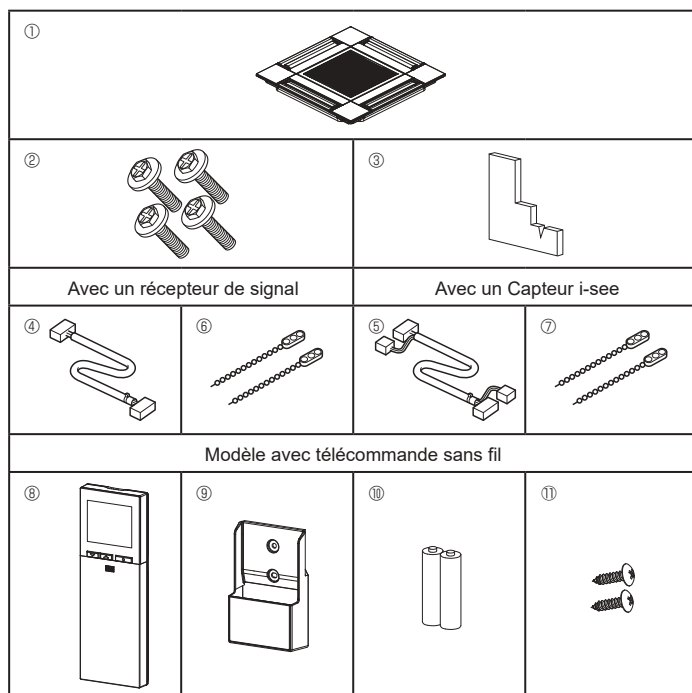


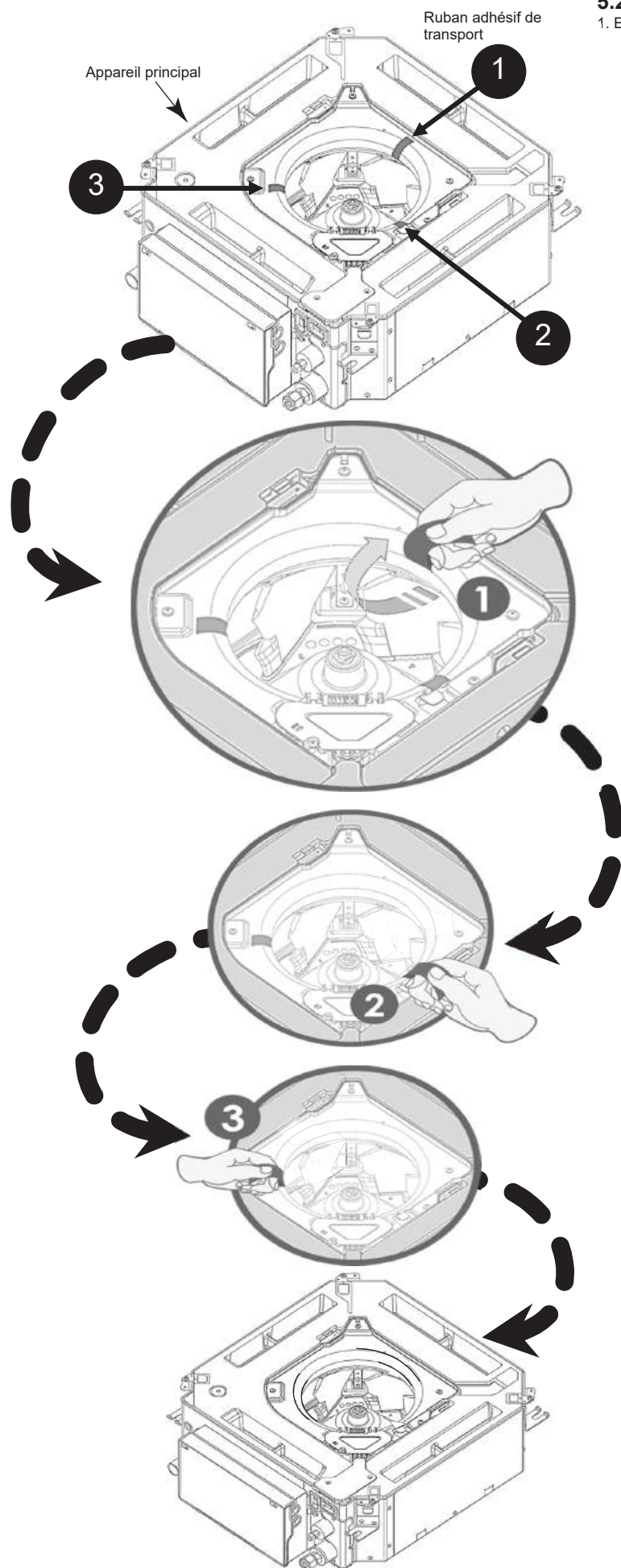
Fig. 5-1

### 5.1. Vérifiez la présence des accessoires de la grille (Fig. 5-1)

- La grille doit être accompagnée des accessoires suivants.

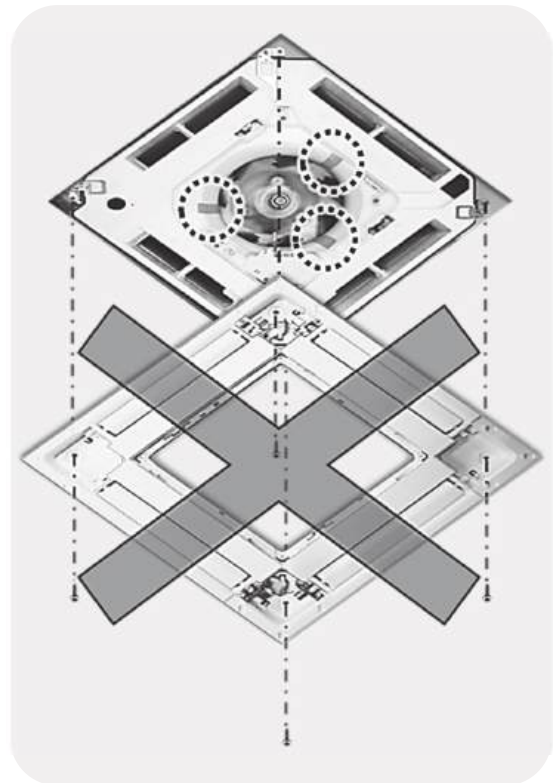
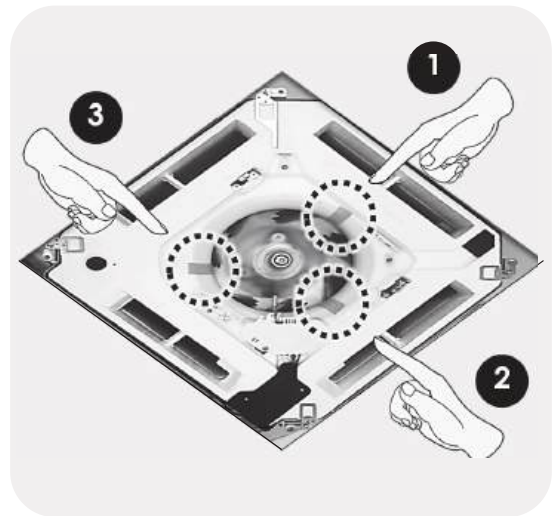
	Nom de l'accessoire	Qté	Remarque
①	Grille	1	625 × 625 (mm), 24-19/32 × 24-19/32 (in.)
②	Vis avec rondelle	4	M5 × 0,8 × 28 (mm), 1/32 × 1-7/64 (in.)
③	Jauge	1	
④	Fil de jonction pour le récepteur de signal	1	Fourni avec le récepteur de signal.
⑤	Fil de jonction pour le Capteur i-see	1	Fourni avec le Capteur i-see.
⑥	Fixation	2	Fourni avec le récepteur de signal.
⑦	Fixation	2	Fourni avec le Capteur i-see.
⑧	Télécommande sans fil	1	Fournie s'il s'agit d'un modèle avec télécommande sans fil.
⑨	Support de la télécommande	1	Fournie s'il s'agit d'un modèle avec télécommande sans fil.
⑩	Piles LR6 AA	2	Fournie s'il s'agit d'un modèle avec télécommande sans fil.
⑪	Vis autotaraudeuses 3,5 × 16 mm	2	Fournie s'il s'agit d'un modèle avec télécommande sans fil.

## 5. Installation de la grille



### 5.2. Avant l'installation

1. Enlever le ruban adhésif de transport. (3 emplacements).



## 5. Installation de la grille

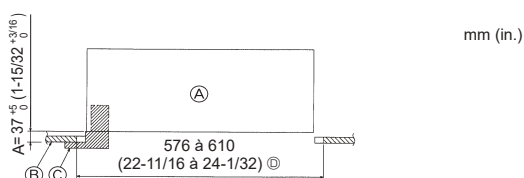


Fig. 5-2

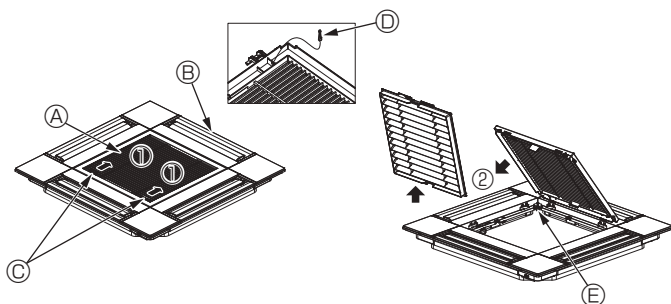


Fig. 5-3

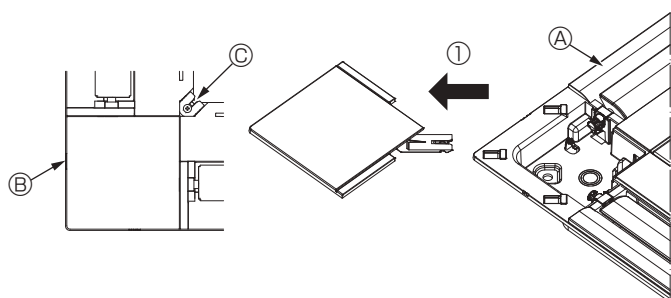


Fig. 5-4

<Crochet de grille>

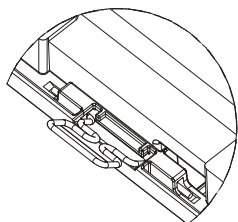


Fig. 5-5

<Crochet de grille attaché temporairement>

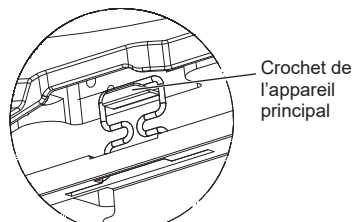


Fig. 5-6

### 5.3. Préparatifs préalables à la fixation de la grille (Fig. 5-2)

- À l'aide de la jauge fournie avec ce kit, ajustez et vérifiez la position de l'appareil par rapport au plafond. Si l'appareil n'est pas positionné correctement au plafond, des problèmes tels que des fuites d'air, de la condensation ou un mauvais fonctionnement des ailettes, pourraient se produire.
- Veillez à ce que l'ouverture dans le plafond respecte la plage de dimension suivante : 576 × 576 à 610 × 610 (mm), 22-11/16 × 22-11/16 à 24-1/32 × 24-1/32 (in.)
- Assurez-vous que le point A s'effectue dans une fourchette allant de 37 à 42 mm (1-15/32 à 1-21/32 in.). Le non respect de cette marge pourrait être à l'origine de certains dégâts.

- Ⓐ Appareil principal
- Ⓑ Plafond
- Ⓒ Jauge (Accessoire)
- Ⓓ Dimensions de l'ouverture dans le plafond

### 5.3.1. Dépose de la grille d'admission (Fig. 5-3)

- Pour ouvrir la grille d'admission, faites glisser les leviers dans le sens indiqué par la flèche ①.
- Détachez le crochet qui sert à fixer la grille.  
\* Ne détachez pas le crochet de la grille d'admission.
- Lorsque la grille se trouve en position "ouverte", retirez la charnière de la grille d'admission dans le sens indiqué par la flèche ②.

- Ⓐ Grille d'admission
- Ⓑ Crochet de grille
- Ⓒ Grille
- Ⓓ Orifice pour crochet de grille
- Ⓔ Leviers de la grille d'admission

### 5.3.2. Dépose du panneau d'angle (Fig. 5-4)

- Retirez la vis au coin du panneau d'angle. Pour retirer le panneau, faites-le glisser dans le sens indiqué par la flèche ①.

- Ⓐ Grille
- Ⓑ Panneau d'angle
- Ⓒ Vis

## 5.4. Installation de la grille

- Veuillez prêter attention au fait qu'il existe une restriction concernant la position de fixation de la grille.

### 5.4.1. Installation temporaire de la grille

Alignez les trous de vis dans les coins de la grille avec les orifices de montage dans les coins de l'appareil principal, attachez les deux crochets de la grille sur les saillies du bac de récupération de l'appareil principal, et suspendez temporairement la grille. (Fig. 5-5, 5-6)

#### ⚠ Attention :

Lors de l'installation du Capteur i-see et du récepteur de signal, placez les fils de jonction dans la boîte de raccordement avant de suspendre la grille de manière temporaire.

Consultez la section 4.2.1. en page 8 pour plus d'informations sur le passage des fils de jonction.

## 5. Installation de la grille

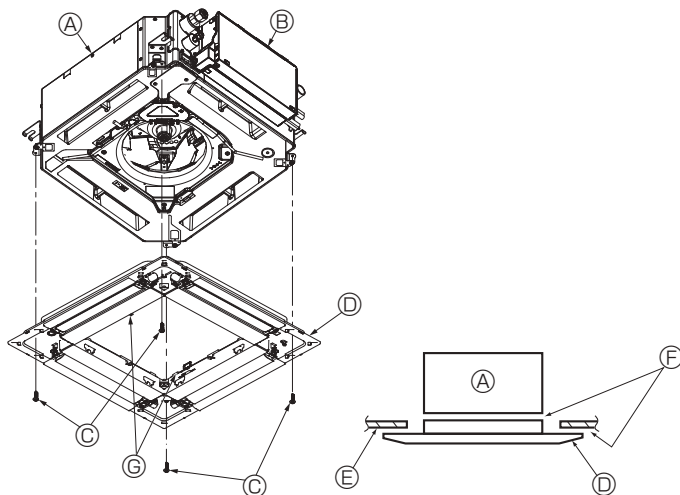


Fig. 5-7

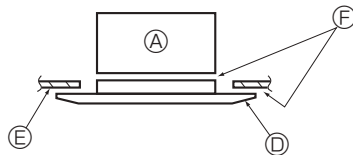


Fig. 5-8

### 5.4.2. Fixation de la grille

- Fixez la grille en serrant les quatre vis. (Fig. 5-7)
- \* Assurez-vous qu'il n'y a pas d'espace entre l'appareil principal et la grille, et entre la grille et le plafond. (Fig. 5-8)

- Ⓐ Appareil principal
- Ⓑ Boîtier des composants électriques
- Ⓒ Vis avec rondelle (Accessoire)
- Ⓓ Grille
- Ⓔ Plafond
- Ⓕ Vérifiez qu'il n'y a pas d'espace.
- Ⓖ Crochets de suspension temporaires sur le panneau

#### ⚠ Attention :

Lors du serrage de la vis avec la rondelle captive Ⓒ, appliquez un couple de serrage inférieur ou égal à 4,8 N·m (4 ft·lbs). N'utilisez jamais de tournevis à frapper.

Cela pourrait endommager les pièces.

- Après avoir serré la vis, vérifiez que les deux crochets de la grille (Fig. 5-6) sont en prise avec les crochets de l'appareil principal.

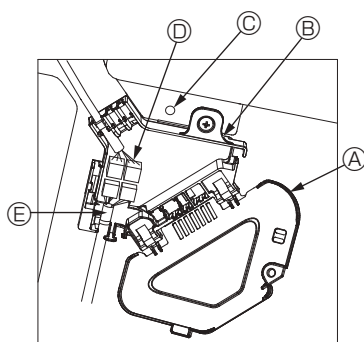


Fig. 5-9

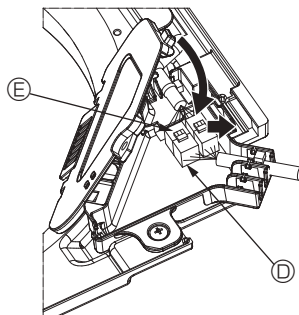


Fig. 5-10

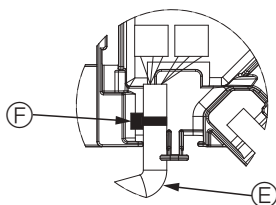


Fig. 5-11

### 5.4.3. Connexion des fils

- ① Retirez la vis qui verrouille le couvercle de la boîte de raccordement, faites glisser le couvercle dans la direction de la flèche, comme indiqué sur le schéma, puis ouvrez le couvercle.
- ② Dans la boîte de raccordement, repérez le fil de jonction du moteur d'ailette de la grille et le fil du moteur d'ailette, puis raccordez les fils. (Fig. 5-9)  
Il existe deux connecteurs de moteur d'ailette : un connecteur bleu et un connecteur orange. Veillez à faire correspondre les couleurs des connecteurs lorsque vous effectuez les raccordements.
- ③ Après avoir placé les fils de la boîte de raccordement, refermez le couvercle de cette boîte. Veillez à ne pas pincer les fils. (Fig. 5-10)  
Pour refermer le couvercle de la boîte de raccordement, faites glisser le couvercle dans le sens de la flèche et veillez à bien insérer la partie saillante.

- Ⓐ Couvercle de la boîte de raccordement
- Ⓑ Boîte de raccordement
- Ⓒ Vis de fixation
- Ⓓ Domino de raccordement
- Ⓔ Connecteur de fil du moteur d'ailette
- Ⓕ Ruban

#### ⚠ Attention :

- Placez le ruban de protection du moteur d'ailette du panneau dans la boîte de raccordement, comme indiqué sur le schéma. (Fig. 5-11)
- Lors de la fermeture du couvercle de la boîte de raccordement, veillez à ne pas pincer les fils.

## 5. Installation de la grille

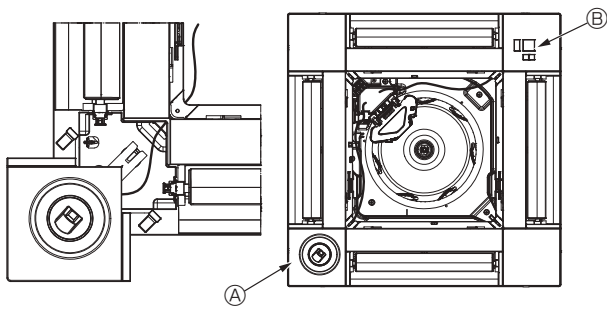


Fig. 5-12

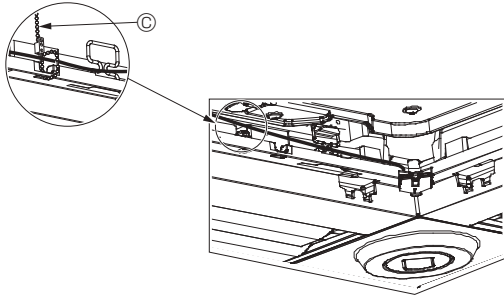


Fig. 5-13

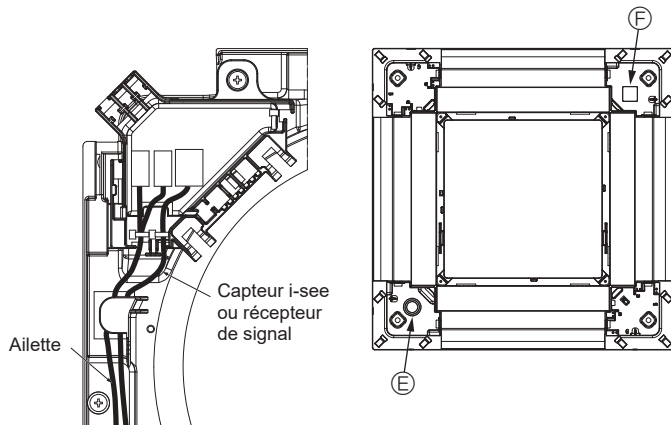


Fig. 5-14

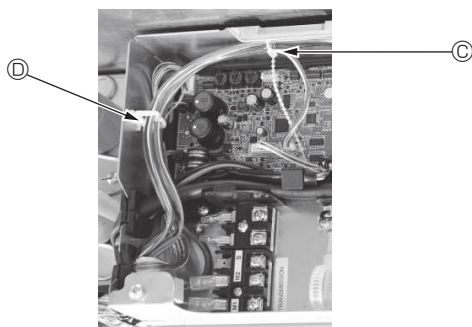


Fig. 5-15

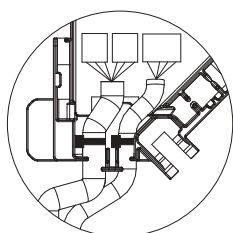


Fig. 5-16

### 5.4.4. Câblage du Capteur i-see et du récepteur de signal

- Installez le Capteur i-see et le récepteur de signal aux coins du panneau, dans les emplacements repérés par "o" ou "□". (Les positions peuvent être inversées.)
- Faites passer les fils du Capteur i-see et du récepteur de signal dans les trous carrés aux coins du panneau, et installez-les.
- Raccordez le connecteur du fil de jonction et les connecteurs des fils du Capteur i-see et du récepteur de signal dans la boîte de raccordement.
- Refermez le couvercle de la boîte de raccordement.
- Fixez les fils du Capteur i-see et du récepteur de signal au panneau à l'aide des fixations, comme indiqué sur le schéma, de sorte qu'il n'y ait pas de mou au niveau des fils, puis coupez le fil qui dépasse aux extrémités de la fixation. (Fig. 5-13)
- Placez les fils du Capteur i-see et du récepteur de signal à l'intérieur de l'évasement sur le panneau.
- Si la position du Capteur i-see a été permutée de la position "o" (E) à la position "□" (F), changez le paramétrage des commutateurs. (Voir page 11.)

#### ⚠ Attention :

- **Faites passer les fils du Capteur i-see et du récepteur de signal comme illustré dans la Fig. 5-14.**
- **Placez les excès de fils de jonction du Capteur i-see et du récepteur de signal dans le boîtier des composants électriques dans le crochet pour fils, comme indiqué sur le schéma, et groupez les fils à l'aide de la fixation. (Fig. 5-15)** Veillez à ce que le ruban qui maintient les fils de jonction du Capteur i-see et du récepteur de signal soit bien positionné à l'intérieur de la boîte de raccordement. (Fig. 5-16)
- **Si les connecteurs du moteur d'ailette et/ou le connecteur du récepteur de signal ne sont pas connectés correctement, les ailettes ne pourront pas bouger et/ou la communication avec la télécommande sera impossible.**

- Ⓐ Capteur i-see
- Ⓑ Récepteur de signal
- Ⓒ Fixation
- Ⓓ Crochet pour fils
- Ⓔ Position "o" : position par défaut du Capteur i-see
- Ⓕ Position "□" : position du récepteur de signal par défaut

## 5. Installation de la grille

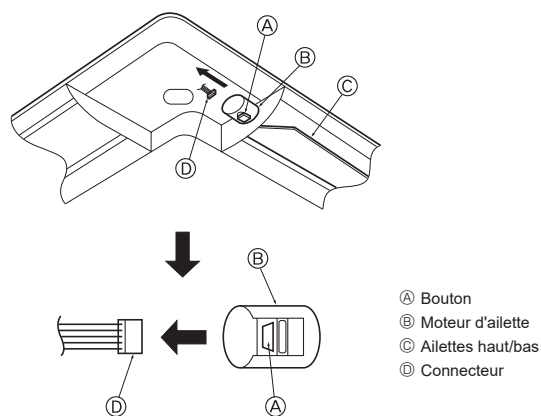
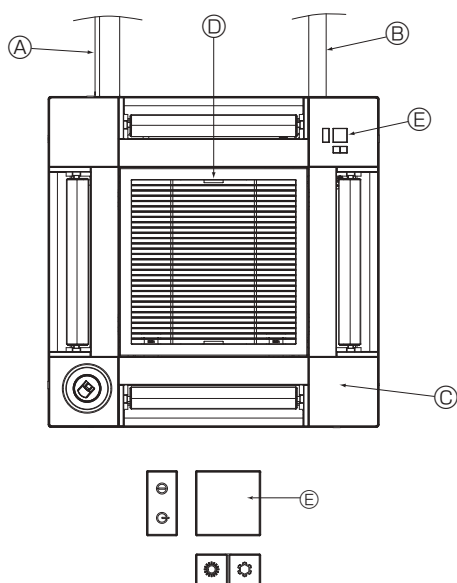


Fig. 5-17



Récepteur de signal

Fig. 5-18

### 5.5. Verrouillage de la direction haut/bas du flux d'air (Fig. 5-17)

Les ailettes de l'appareil peuvent être verrouillées en position haute ou basse, selon l'environnement d'utilisation.

• Réglez en fonction des préférences de l'utilisateur.

Le réglage du verrouillage vers le haut/bas des ailettes ainsi que toutes les commandes automatiques ne sont pas disponibles via la télécommande. En outre, la position réelle des ailettes peut différer de la position indiquée sur la télécommande.

① Coupez l'interrupteur d'alimentation principal.

Des blessures et/ou des chocs électriques peuvent se produire lorsque le ventilateur de l'appareil est en rotation.

② Débranchez le connecteur du moteur d'ailette du ventilateur que vous souhaitez verrouiller.

(Tout en appuyant sur le bouton, retirez le connecteur dans le sens de la flèche comme indiqué sur le schéma.) Lorsque le connecteur est déposé, isolez-le avec du ruban isolant.

⚠ Attention :

Ne réglez pas les ailettes haut/bas au-delà de la plage spécifiée. De la condensation pourrait se former et s'écouler du plafond, ou l'appareil pourrait mal fonctionner.

### 5.6. Installation de la grille d'aspiration (Fig. 5-18)

• Suivez la procédure décrite à la section "5.3. Préparatifs préalables à la fixation de la grille" dans l'ordre inverse pour installer la grille d'aspiration et le panneau d'angle.

Ⓐ Tuyau de réfrigérant de l'appareil principal

Ⓑ Tuyau d'écoulement de l'appareil principal

Ⓒ Panneau d'angle

\* L'installation est possible dans toutes les positions.

Ⓓ Position initiale des leviers de la grille d'aspiration à la sortie d'usine.

\* Les agrafes peuvent néanmoins être installées dans n'importe laquelle des quatre positions.

Ⓔ Récepteur (pour PAR-SF9FA-E)

### 5.7. Contrôle

• Veillez à ce qu'il n'y ait pas d'espace entre l'appareil et la grille, ou entre la grille et la surface du plafond. S'il existe un espace entre l'appareil et la grille ou entre la grille et la surface du plafond, un problème d'accumulation de condensation pourrait se produire.

• Vérifiez que tous les fils ont été correctement connectés.

• Vérifiez que les quatre ailettes peuvent bouger. Si une ou plusieurs ailettes ne peuvent pas bouger, reportez-vous à la section 5.4. et vérifiez les connexions.

• Pour le panneau d'angle du Capteur 3D i-see, vérifiez le mouvement de rotation. Si le Capteur 3D i-see ne tourne pas, effectuez la procédure indiquée à la section "5.4. Installation de la grille".

## 6. Essai de fonctionnement

### 6.1. Avant l'essai de fonctionnement

- ▶ Lorsque l'installation, le tuyautage et le câblage des appareils intérieur et extérieur sont terminés, vérifiez l'absence de fuites de réfrigérant, la fixation des câbles d'alimentation et de commande, l'absence d'erreur de polarité et contrôlez qu'aucune phase de l'alimentation n'est déconnectée.
- ▶ Utilisez un mégohm-mètre de 500 V pour vérifier que la résistance entre les bornes d'alimentation électrique et la terre soit d'au moins 1,0 MΩ.

- ▶ N'effectuez pas ce test sur les bornes des câbles de commande (circuit à basse tension).

⚠ Avertissement :

N'utilisez pas le climatiseur si la résistance de l'isolation est inférieure à 1,0 MΩ.

#### Interface de contrôle

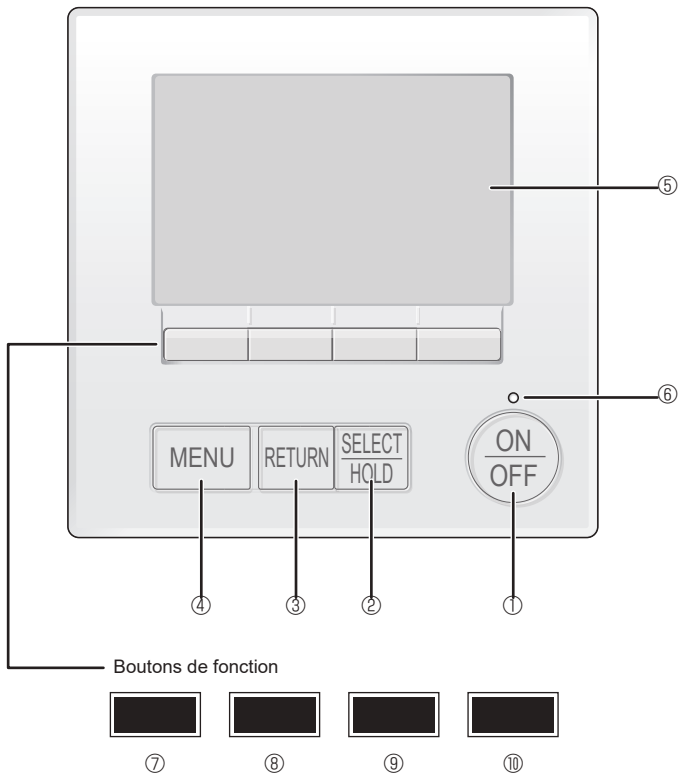


Fig. 6-1

### 6.2. Essai de fonctionnement

Utilisez l'une des trois méthodes suivantes, au choix.

#### 6.2.1. Utilisation de la télécommande filaire (Fig. 6-1)

##### ① Bouton [ON/OFF]

Appuyez pour mettre l'appareil intérieur en marche ou à l'arrêt.

##### ② Bouton [SELECT/HOLD]

Pressez pour enregistrer les paramètres.

Lorsque le menu principal est affiché, une pression sur cette touche active/désactive la fonction HOLD (EN ATTENTE).

##### ③ Bouton [RETURN]

Appuyez pour revenir à l'écran précédent.

##### ④ Bouton [MENU]

Appuyez pour afficher le menu principal.

##### ⑤ Écran LCD rétroéclairé

Affiche les paramètres de fonctionnement.

Lorsque le rétroéclairage est éteint, une pression sur n'importe quel bouton l'active et l'affichage reste éclairé pendant un certain temps, selon les informations affichées.

Lorsque le rétroéclairage est éteint, une simple pression sur n'importe quel bouton a pour effet de rallumer le rétroéclairage sans exécuter la fonction normale du bouton. (sauf pour le bouton [ON/OFF] (MARCHE/ARRÊT))

##### ⑥ Voyant ON/OFF

Ce voyant s'allume en vert lorsque l'appareil fonctionne. Il clignote lorsque la télécommande démarre ou en cas d'erreur.

##### ⑦ Bouton de fonction [F1]

Affichage principal : Appuyez pour changer de mode de fonctionnement.

Écran des menus : La fonction des touches varie selon l'écran.

##### ⑧ Bouton de fonction [F2]

Affichage principal : Appuyez pour abaisser la température.

Menu général : Appuyez pour déplacer le curseur vers la gauche.

Écran des menus : La fonction des touches varie selon l'écran.

##### ⑨ Bouton de fonction [F3]

Affichage principal : Appuyez pour augmenter la température.

Menu général : Appuyez pour déplacer le curseur vers la droite.

Écran des menus : La fonction des touches varie selon l'écran.

##### ⑩ Bouton de fonction [F4]

Affichage principal : Appuyez pour changer la vitesse du ventilateur.

Écran des menus : La fonction des touches varie selon l'écran.

## 6. Essai de fonctionnement

### Étape 1 Placez la télécommande sur "Test run" (Test fonctions).

- ① Sélectionnez "Service" dans le menu général puis appuyez sur le bouton [SELECT/HOLD] (SÉLECTION/EN ATTENTE).
- ② Lorsque le menu SAV est sélectionné, une fenêtre vous invitant à saisir le mot de passe apparaît. (Fig. 6-2)  
Pour entrer le mot de passe maintenance actuel (4 chiffres numériques), déplacez le curseur sur le chiffre à modifier à l'aide du bouton [F1] ou [F2], puis définissez chaque nombre (0 à 9) à l'aide du bouton [F3] ou [F4]. Appuyez ensuite sur le bouton [SELECT/HOLD] (SÉLECTION/EN ATTENTE).

Remarque : Le mot de passe maintenance initial est "9999". Modifiez le mot de passe par défaut dès que nécessaire pour éviter tout accès non autorisé. Gardez le mot de passe à portée de main pour les utilisateurs qui en auraient besoin.

Remarque : Si vous oubliez votre mot de passe maintenance, vous pouvez initialiser le mot de passe sur le mot de passe par défaut ("9999") en appuyant simultanément sur les boutons [F1] et [F2] pendant trois secondes sur l'écran de réglage du mot de passe maintenance.

- ③ Sélectionnez "Test run" (Test fonctions) à l'aide du bouton [F1] ou [F2] puis appuyez sur le bouton [SELECT/HOLD] (SÉLECTION/EN ATTENTE). (Fig. 6-3)
- ④ Sélectionnez "Test run" (Test fonctions) à l'aide du bouton [F1] ou [F2] puis appuyez sur le bouton [SELECT/HOLD] (SÉLECTION/EN ATTENTE). (Fig. 6-4)

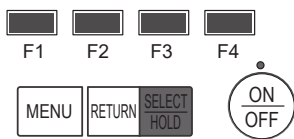
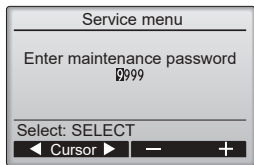


Fig. 6-2

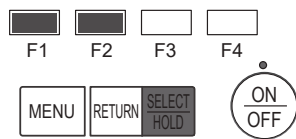
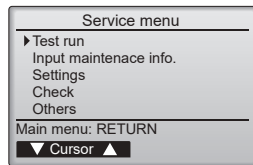


Fig. 6-3

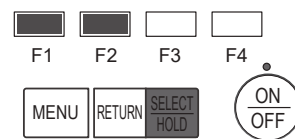
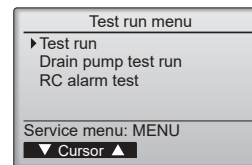


Fig. 6-4

### Étape 2 Effectuez le test fonctions et vérifiez la température du courant d'air et le volet automatique.

- ① Appuyez sur le bouton [F1] pour changer de mode de fonctionnement dans l'ordre "Cool" (Froid) et "Heat" (Chaud). (Fig. 6-5)  
Mode de refroidissement : vérifiez si la soufflerie souffle de l'air froid.  
Mode de chauffage : vérifiez si la soufflerie souffle de l'air chaud.  
Remarque :  
Vérifiez le fonctionnement du ventilateur de l'appareil extérieur.

- ② Appuyez sur la touche [SELECT/HOLD] (SÉLECTION/EN ATTENTE) pour ouvrir l'écran de réglage des volets.

#### Contrôle du volet AUTO

- ① Vérifiez le volet automatique à l'aide des boutons [F1] [F2]. (Fig. 6-6)
- ② Appuyez sur le bouton [RETURN] (RETOUR) pour revenir à l'écran "Test run" (Test fonctions).
- ③ Appuyez sur le bouton [ON/OFF].

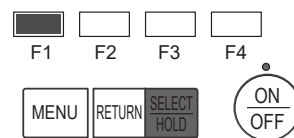
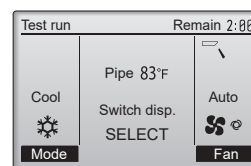


Fig. 6-5

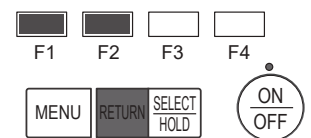
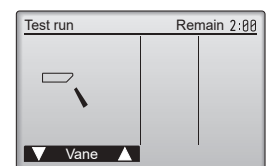


Fig. 6-6

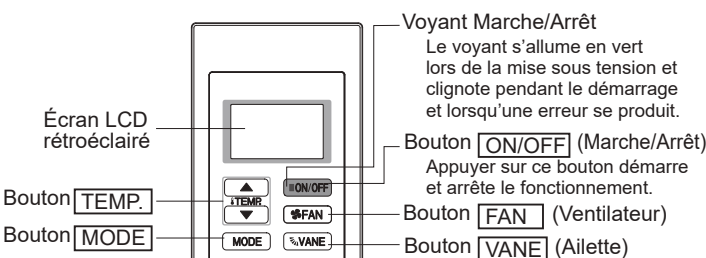


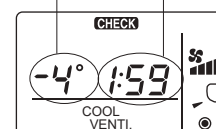
Fig. 6-7

#### 6.2.2. Utilisation du contrôleur à distance simple MA (Fig. 6-7)

- ① Avant d'effectuer un essai de fonctionnement, reportez-vous à la section "Essai de fonctionnement" du manuel d'installation de l'appareil intérieur.
- ② Lorsque vous appuyez simultanément sur les boutons [ON/OFF] et [TEMP. ▲] pendant deux secondes ou plus, l'appareil effectue un essai de fonctionnement.
- ③ Arrêtez l'essai de fonctionnement en appuyant sur le bouton [ON/OFF].
- ④ Si une erreur de code s'affiche sur la télécommande ou si le climatiseur ne fonctionne pas correctement, voir le manuel d'installation de l'appareil extérieur ou les autres documentations techniques.

Température de la tuyauterie de l'unité intérieure  
Plage d'affichage : -4°F (-20°C) à 158°F (70°C)  
"-4°F" ou "158°F" clignote à l'écran.

Durée de l'essai de fonctionnement  
Le temps restant d'exécution de l'essai de fonctionnement s'affiche.  
Plage d'affichage : 2:00 à 0:01  
Après deux heures, le essai de fonctionnement s'arrête automatiquement.



## 6. Essai de fonctionnement

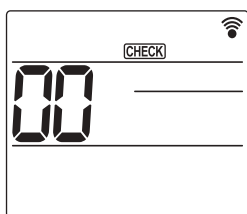


Fig. 6-8

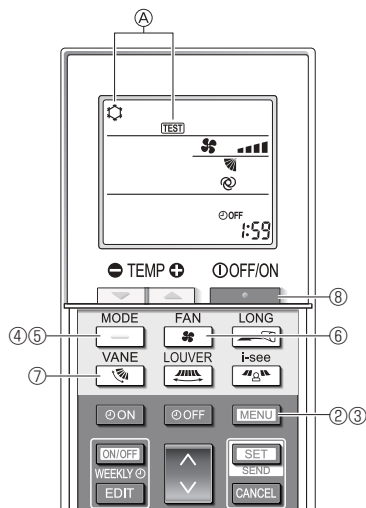
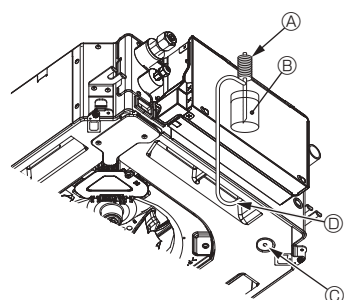


Fig. 6-9



- Ⓐ Pompe d'alimentation en eau
- Ⓑ Eau (environ 1 000 cm<sup>3</sup>, 1/4 gal)
- Ⓒ Bouchon de vidange
- Ⓓ Versez l'eau par l'ouverture
  - Veillez à ne pas éclabousser d'eau dans le mécanisme de la pompe d'écoulement.

Fig. 6-10

### 6.2.3. Utilisation de la télécommande sans fil

- ① Mettez l'appareil sous tension au moins 12 heures avant l'essai de fonctionnement.
- ② Appuyez sur la touche **MENU** pendant 5 secondes. (Fig. 6-8)  
(Effectuez cette opération lorsque l'affichage de la télécommande est éteint.)
- ③ Appuyez sur la touche **MENU**.  
La mention **A [TEST]** et le mode de fonctionnement en cours sont affichés. (Fig. 6-9)
- ④ Appuyez sur la touche **—** pour activer le mode refroidissement, puis vérifiez que de l'air froid est soufflé par l'appareil.
- ⑤ Appuyez sur la touche **—** pour activer le mode chauffage, puis vérifiez que de l'air chaud est soufflé par l'appareil.
- ⑥ Appuyez sur la touche **—** et vérifiez que la vitesse du ventilateur change.
- ⑦ Appuyez sur la touche **—** et vérifiez que l'ailette automatique fonctionne correctement.
- ⑧ Appuyez sur la touche **—** pour terminer l'essai de fonctionnement.  
(Après deux heures, un signal sera émis pour arrêter l'essai de fonctionnement.)

#### Remarque :

- Dirigez la télécommande vers le récepteur de l'appareil intérieur pendant que vous effectuez les étapes ③ à ⑧.
- Il n'est pas possible de réaliser l'essai de fonctionnement en mode FAN, DRYING ou AUTO (VENTILATEUR, DÉSHU ou AUTO).

### 6.3. Vérification de l'écoulement (Fig. 6-10)

- Vérifiez l'écoulement correct de l'eau et la bonne étanchéité des joints.

#### Si l'installation électrique est terminée.

- Versez de l'eau pendant le fonctionnement de la climatisation et vérifiez.

#### Si l'installation électrique n'est pas terminée.

- Versez de l'eau pendant le fonctionnement en urgence et vérifiez.

\* Le bac de récupération et le ventilateur sont activés simultanément lorsque les bornes L1 et L2 sont activées avec un courant monophasé de 208/230 V après le réglage sur ON du connecteur (SWE) sur la carte de commande du boîtier électrique de dérivation.

Veillez à rétablir l'état précédent à la fin des travaux.

# Contenido





1. Precauciones de seguridad.....	1	4. Trabajo eléctrico.....	7
2. Instalación de la unidad interior.....	2	5. Instalar la rejilla.....	14
3. Tubos de refrigerante y de drenaje.....	5	6. Prueba de funcionamiento.....	20

**Nota:**  
 En este manual de instalación, la frase “Mando a distancia con cable” se refiere a PAR-42MAAUB.  
 Si necesita más información acerca del otro mando a distancia, consulte el manual de instalación o el manual de puesta en marcha que se incluyen en dichas cajas.

## 1. Precauciones de seguridad

- ▶ Antes de instalar la unidad, lea detenidamente todas las “Precauciones de seguridad”.
- ▶ Antes de conectar este equipo al sistema de suministro eléctrico, informe a su proveedor u obtenga su consentimiento.







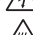

### SIGNIFICADO DE LOS SÍMBOLOS VISUALIZADOS EN LA UNIDAD

	<b>ATENCIÓN</b> (Riesgo de incendio)	Esta unidad utiliza un refrigerante inflamable. Si hay fugas de refrigerante y este entra en contacto con fuego o con una fuente de calor, se generará un gas perjudicial y puede causarse un incendio.
	Lea detenidamente el MANUAL DE INSTRUCCIONES antes de utilizar el equipo.	
	El personal de mantenimiento deberá leer detenidamente el MANUAL DE INSTRUCCIONES y el MANUAL DE INSTALACIÓN antes de utilizar el equipo.	
	Encontrará más información en el MANUAL DE INSTRUCCIONES, en el MANUAL DE INSTALACIÓN y en documentos similares.	

**⚠ Atención:**  
 Describe las precauciones que es necesario tomar para que el usuario no se exponga a sufrir lesiones que pueden llegar a causar la muerte.

**⚠ Precaución:**  
 Describe las precauciones que es necesario tomar para que la unidad no sufra daños.

Después de terminar la instalación, explique las “Medidas de seguridad”, funcionamiento y mantenimiento de la unidad al cliente según el Manual de instrucciones y realice una prueba de funcionamiento para asegurarse de que funciona correctamente. Entregue una copia del Manual de instalación y del Manual de instrucciones al usuario. Estos manuales deben entregarse a los sucesivos usuarios del equipo.

-  : Indica una acción que debe evitarse.
-  : Indica que deben seguirse unas instrucciones importantes.
-  : Indica una pieza que debe estar conectada a tierra.
-  : Indica que debe tenerse cuidado con las piezas giratorias.
-  : Indica que debe apagarse el interruptor principal antes de intervenir en la unidad.
-  : Peligro de descarga eléctrica.
-  : Peligro por superficie caliente.
-  : A la hora de realizar una reparación, desconecte el interruptor principal tanto de la unidad interior como de la exterior.

**⚠ Atención:**  
 Lea detenidamente las etiquetas adheridas a la unidad principal.  
 Instale la unidad interior como mínimo 2,5 m (8 ft) por encima del nivel del suelo.  
 Para aparatos que no están disponibles para el público general.

- ⚠ Atención:**
- Confíe la instalación del acondicionador de aire al distribuidor o a un técnico autorizado.
  - El usuario nunca debe intentar reparar la unidad ni trasladarla a otra ubicación.
  - Instale la unidad en un lugar que pueda soportar su peso.
  - No modifique la unidad. Podría producirse fuego, una descarga eléctrica, lesiones o escape de agua.
  - La unidad debe estar firmemente instalada en una estructura que pueda soportar su peso.
  - Utilice únicamente los cables especificados para realizar el cableado. Las conexiones de cableado deben realizarse de forma segura sin aplicar tensión sobre las conexiones de los terminales. Igualmente, nunca empalme los cables para el cableado (a menos que se indique lo contrario en este documento). Si no se siguen estas instrucciones, se podría producir un recalentamiento o un incendio.
  - Utilice únicamente accesorios autorizados por Mitsubishi Electric y solicite su instalación al distribuidor o a un técnico autorizado.
  - No toque las aletas del intercambiador de calor.
  - Instale el acondicionador de aire siguiendo las indicaciones de este Manual de instalación.
  - Confíe todo el trabajo eléctrico a un electricista autorizado de acuerdo con las normativas locales.
  - No utilice la conexión intermedia de los cables eléctricos.
  - Instale el equipo de acuerdo con la normativa para instalaciones eléctricas de su país.
  - Si el cable de alimentación está dañado, deberá ser sustituido por el fabricante, su agente de mantenimiento o personas igualmente cualificadas para evitar cualquier riesgo.
  - Si el acondicionador de aire se instala en una habitación pequeña, tome las medidas necesarias para evitar que la concentración de refrigerante supere el límite de seguridad en caso de fuga de refrigerante.
  - Las partes troqueladas pueden causar lesiones por corte, etc. Los instaladores deben utilizar equipos protectores tales como guantes, etc.
  - Cuando instale o cambie de sitio el acondicionador de aire, o al realizar tareas de mantenimiento, utilice únicamente el refrigerante indicado (R454B) para cargar los tubos del refrigerante. No lo mezcle con ningún otro refrigerante y asegúrese de que no quede aire en las tuberías. Si se mezcla aire con el refrigerante, se podría producir una alta presión anómala en los tubos de refrigeración, que podría ocasionar una explosión u otros daños.

- El uso de un refrigerante distinto al especificado para el sistema ocasionará fallos mecánicos, un funcionamiento incorrecto del sistema o averías en la unidad. En el peor de los casos, esto podría llegar a ser un serio impedimento para garantizar el uso seguro del producto.
- Tenga cuidado al utilizar cualquier fuente de calor auxiliar y siga todas las instrucciones de los otros fabricantes y las directrices de seguridad para la instalación y el uso.
  - Cualquier fuente de calor auxiliar conectada a esta unidad a través de la conexión CN24 debe disponer de un mecanismo independiente de control de la temperatura. Si no se instala y mantiene dicho mecanismo de control de la temperatura, la garantía de este equipo puede quedar anulada. Mitsubishi Electric no asumirá ninguna obligación de garantía ni ninguna otra responsabilidad por cualquier daño o pérdida relacionado con dichos calentadores auxiliares de otros fabricantes.
  - Para acelerar el proceso de descongelación o para limpiar el aparato, utilice únicamente los medios recomendados por el fabricante.
  - El aparato debe guardarse en una habitación sin fuentes de ignición en funcionamiento continuo (por ejemplo: llamas abiertas, un aparato de gas en funcionamiento o un calentador eléctrico en funcionamiento).
  - No perforo ni queme el equipo.
  - Tenga en cuenta que es posible que los refrigerantes no emitan olores.
  - Las tuberías deben protegerse de posibles daños físicos.
  - Las tuberías instaladas deben ser las mínimas.
  - Deben observarse las normativas nacionales relativas al gas.
  - Mantenga las aberturas de ventilación necesarias libres de obstáculos.
  - No descargue el refrigerante en el ambiente. Si se producen fugas de refrigerante durante la instalación, ventile la habitación. Una vez acabada la instalación, compruebe que no haya fugas de refrigerante.

es

## 1. Precauciones de seguridad

- Si hay fugas de refrigerante y éste entra en contacto con fuego o con fuentes de calor tales como un calentador del ventilador, un calentador de queroseno o un horno de cocina, se generarán gases perjudiciales.
- Si se utiliza un quemador de gas u otro aparato que produzca llamas, retire todo el refrigerante del acondicionador de aire y compruebe que el área esté bien ventilada.

- Si hay fugas de refrigerante y este entra en contacto con fuego o con fuentes de calor, se generarán gases perjudiciales y puede causarse un incendio.
- Para evitar el riesgo de incendios, empotre o proteja las tuberías de refrigerante. Los daños externos en las tuberías de refrigerante pueden provocar un incendio.

### ⚠ Precaución:

- No use los tubos de refrigerante existentes.
- No use el acondicionador de aire en habitaciones donde haya alimentos, animales domésticos, plantas, instrumentos de precisión u obras de arte.
- No use el acondicionador de aire en entornos especiales.
- Ponga a tierra la unidad.
- Si es necesario, instale un disyuntor para el circuito de fugas.
- Al conectarlo a la línea eléctrica, utilice cables con características y capacidad de transmisión de corriente adecuadas.
- Utilice únicamente un disyuntor y un fusible de la capacidad especificada.
- No toque los interruptores con los dedos húmedos.
- No toque los tubos de refrigerante durante e inmediatamente después de la puesta en funcionamiento.
- No ponga en funcionamiento el acondicionador de aire sin que estén colocados los paneles y protecciones.

- No desactive el equipo inmediatamente después de interrumpir su funcionamiento.
- Si se utiliza la unidad durante muchas horas y el aire del techo se encuentra a una temperatura alta/presenta una humedad elevada (punto de rocío por encima de los 26 °C, 79 °F), puede formarse rocío en la unidad interior o en los materiales del techo. Si utiliza las unidades en estas condiciones, coloque material aislante (de 10 a 20 mm, de 25/64 a 15/32 de in.) en toda la superficie de la unidad y en los materiales del techo para evitar la condensación.
- Si emplea aerosoles para la construcción de interiores, los trabajos de acabado o el sellado de la penetración de tuberías, desactive el disyuntor y ventile bien la habitación.  
El gas de los esprays puede provocar errores de detección y una activación inesperada del detector de fugas de refrigerante.

## 2. Instalación de la unidad interior

Consulte el manual de instalación de la unidad exterior.

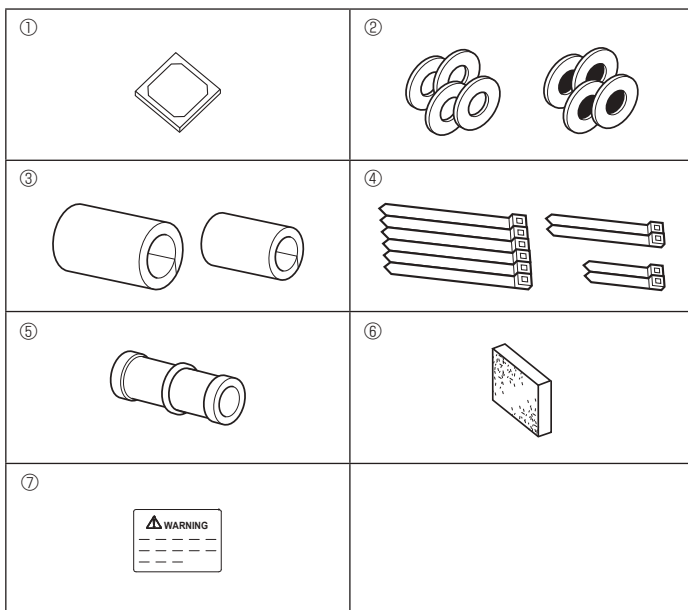


Fig. 2-1

### 2.1. Compruebe los accesorios de la unidad interior (Fig. 2-1)

La unidad interior debe incluir los siguientes accesorios.

	Nombre del accesorio	Cant.
①	Plantilla de instalación	1
②	Arandelas (con aislamiento)	4
	Arandelas (sin aislamiento)	4
③	Cubierta de la tubería (para la junta de las tuberías de refrigerante) diámetro pequeño (líquido)	1
	diámetro grande (gas)	1
④	Abrazadera (grande)	6
	Abrazadera (media)	2
	Abrazadera (pequeña) * Utilice sólo una.	2
⑤	Tubo de desagüe	1
⑥	Aislamiento	1
⑦	Etiqueta del disyuntor	1

## 2. Instalación de la unidad interior

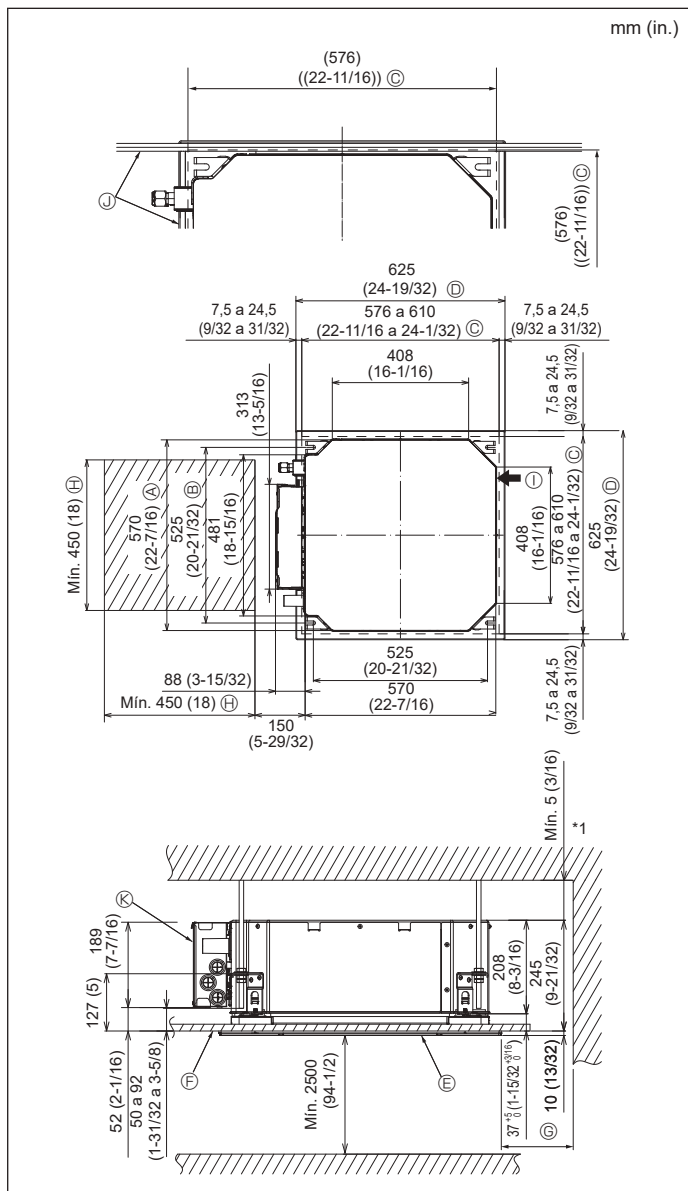


Fig. 2-2

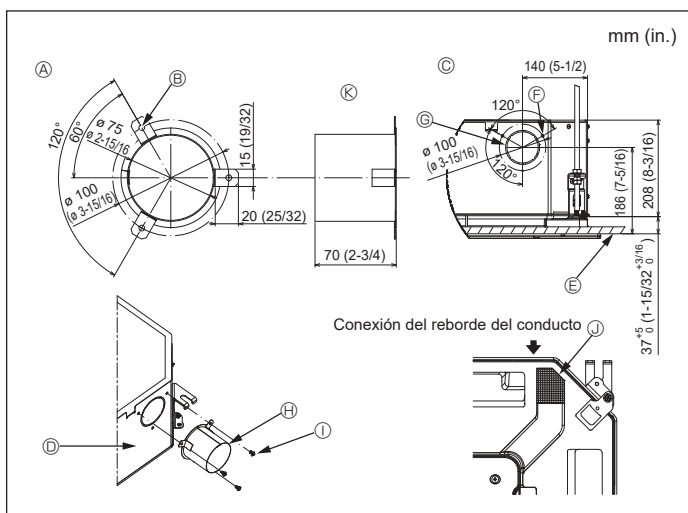


Fig. 2-3

## 2.2. Lugares de instalación de las aberturas en el techo y los tornillos de suspensión (Fig. 2-2)

• Utilice la plantilla de instalación y el calibre (suministrado como accesorio con la rejilla) para realizar una abertura en el techo que le permita instalar la unidad principal tal y como se muestra en el diagrama. (Se muestra el método para utilizar la plantilla y el calibre).

\* Antes de su uso, compruebe las dimensiones de la plantilla y del calibre, ya que pueden cambiar debido a las fluctuaciones de temperatura y humedad.

\* Las dimensiones de la abertura en el techo pueden regularse dentro del rango que aparece en el siguiente diagrama; así pues, centre la unidad principal en la abertura asegurándose de que los respectivos lados opuestos queden a la misma distancia del borde de la abertura.

• Utilice tornillos de suspensión M10 (3/8").

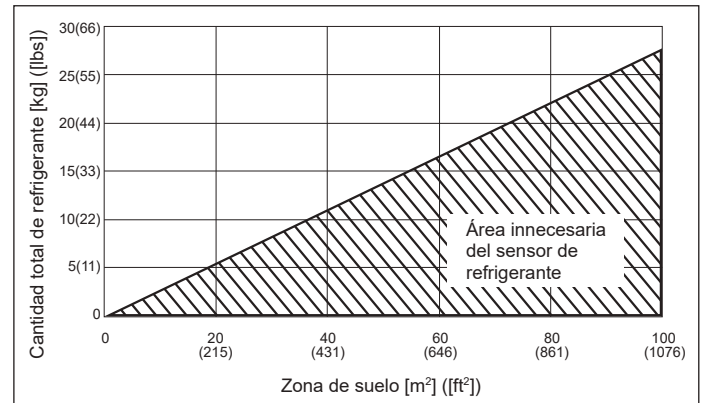
\* Los tornillos de suspensión deben adquirirse de manera independiente.

• Instale firmemente, comprobando que no quede espacio libre entre el panel del techo y la rejilla, y entre la unidad principal y la rejilla.

- |  |  |
|--|--|
| Ⓐ Lado exterior de la unidad principal | Ⓞ Mín. 500 mm (20 in.) (toda la periferia)   |
| Ⓑ Paso del tornillo                    | Cuando establezca el espacio de mantenimiento para Ⓞ, deje siempre un mínimo de 700 mm (28 in.). |
| Ⓒ Abertura en el techo                 | Ⓜ Espacio para mantenimiento   |
| Ⓓ Lado exterior de la rejilla          | Ⓝ Entrada de aire fresco   |
| Ⓚ Rejilla                              | Ⓟ Ángulo   |
| Ⓛ Techo                                | Ⓠ Caja de los componentes eléctricos   |

\* Deje el espacio de mantenimiento en el extremo de la caja de componentes eléctricos.

\* Si lo instala en una posición de la unidad de techo ya existente, o si desea aplicar un aislamiento térmico adicional, deje un espacio mínimo de 25 mm (1 in.).



Si  $M/A \leq 0,27$ , el sensor de refrigerante puede desactivarse desconectando el conector CNSB del panel de control.

M: Cantidad total de refrigerante [kg] ([lbs])

A: Zona de suelo [m²] ([ft²])

Cuidado: No desconecte el conector CNSB en un entorno en el que  $M/A \geq 0,27$ .

Si se produce una fuga de refrigerante con el sensor de refrigerante desactivado, el dispositivo de seguridad no podrá funcionar.

## 2.3. Instalación del conducto (en el caso de entrada de aire fresco) (Fig. 2-3)

⚠ **Precaución:**

**Unión del ventilador del conducto y del acondicionador de aire**

Si se utiliza un ventilador del conducto, asegúrese de unirlo al acondicionador de aire cuando se obtenga aire del exterior.

No utilice únicamente el ventilador del conducto. Podrían producirse pérdidas.

**Preparar el reborde del conducto (por parte del técnico)**

• Se recomienda la forma de reborde del conducto mostrada a la izquierda.

**Instalación del reborde del conducto**

• Corte el orificio de corte. No lo parta.

• Instale el reborde del conducto en el orificio de corte de la unidad interior utilizando tres tornillos roscados de  $4 \times 10$ , que debe preparar el técnico.

**Instalación del conducto (por parte del técnico)**

• Prepare un conducto cuyo diámetro interior encaje en el diámetro exterior del reborde del conducto.

• En caso de que la zona situada encima del techo tenga una temperatura y una humedad muy altas, envuelva el conducto con un aislante térmico para evitar pérdidas en la pared.

**Retire el aislante del depósito de drenaje.**

- |  |   |
|--|---|
| Ⓐ Forma recomendada del reborde del conducto (Grosor: 0,8 mm (1/32 in.) o más) | Ⓝ 3 orificios para tornillos roscados                       |
| Ⓑ Orificio de $3-\phi 5$ mm (3/16 in.)   | Ⓞ Orificio de corte de $\phi 73,4$ mm (2-7/8 in.)           |
| Ⓒ Vista detallada de la entrada de aire fresco                                 | Ⓜ Reborde del conducto (por parte del técnico)              |
| Ⓓ Unidad interior  | Ⓝ Tornillo roscado de $4 \times 10$ (por parte del técnico) |
| Ⓛ Superficie del techo   | Ⓟ Aislamiento   |

## 2. Instalación de la unidad interior

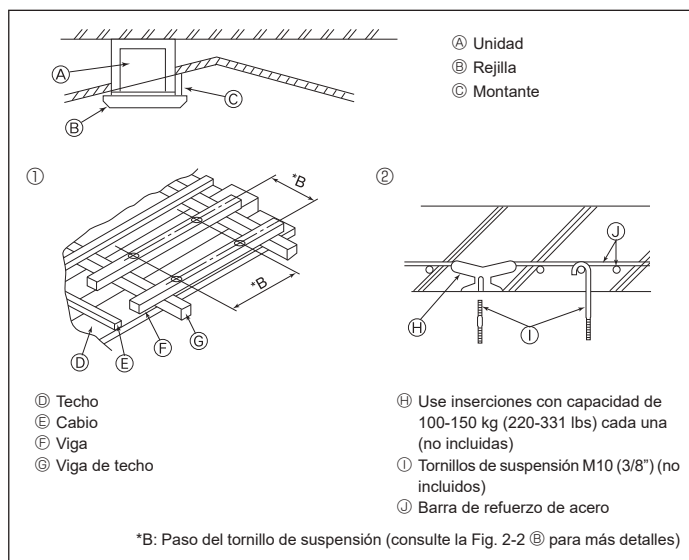


Fig. 2-4

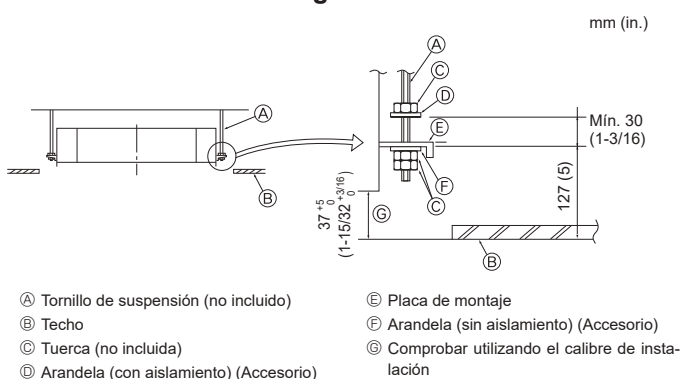


Fig. 2-5

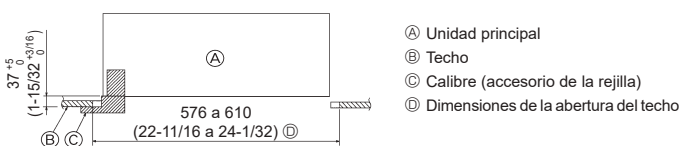


Fig. 2-6

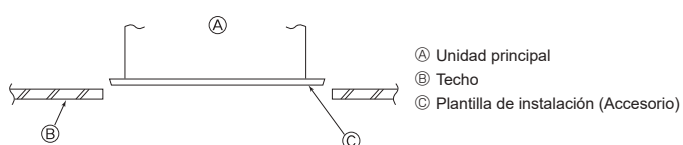


Fig. 2-7

## 2.4. Estructura de suspensión (refuerzo de la estructura de suspensión) (Fig. 2-4)

• Los trabajos en el techo diferirán según el tipo de construcción del edificio. Se deberá consultar a los constructores y decoradores de interiores.

- Apertura del techo: El techo debe mantenerse totalmente horizontal y se reforzará la estructura del techo (marco: listones de madera y soportes de listones) para protegerlo de vibraciones.
- Corte y extraiga la estructura del techo.
- Refuerce los bordes de la estructura del techo en los puntos que han sido cortados, y añada elementos estructurales para asegurar los extremos del panel del techo.
- Al instalar la unidad en un techo inclinado, coloque un montante entre el techo y la rejilla y disponga la instalación de forma que la unidad quede horizontal.

### ① Estructuras de madera

- Utilice tirantes (casas de una planta) o tirantes para segundas plantas (casa de dos plantas) como refuerzos.
- Las vigas de madera para acondicionadores de aire suspendidos deben ser resistentes y sus lados deben tener como mínimo 6 cm (2-3/8 in.) de longitud si están separadas menos de 90 cm (36 in.), y como mínimo 9 cm (3-9/16 in.) de longitud si están separadas hasta 180 cm (71 in.). El tamaño de los pernos de suspensión debe ser de  $\varnothing 10$  (3/8"). (Los pernos no se entregan con la unidad).

### ② Estructuras de hormigón armado

Asegure los tornillos de suspensión siguiendo el método ya descrito, o utilice colgadores de acero o madera, etc., para instalar los pernos de suspensión.

## 2.5. Procedimientos de suspensión de la unidad (Fig. 2-5)

Suspenda la unidad principal de la forma mostrada en el diagrama.

- En primer lugar, coloque las piezas en los tornillos de suspensión en el orden siguiente: arandelas (con aislamiento), arandelas (sin aislamiento) y tuercas (dobles).
  - Coloque la arandela con el acolchado de forma que el aislamiento quede cara abajo.
  - Si se utilizan arandelas superiores para suspender la unidad principal, las arandelas inferiores (con aislamiento) y las tuercas (dobles) deben colocarse más tarde.
- Levante la unidad hasta la altura adecuada de los tornillos de suspensión para insertar la placa de montaje entre las arandelas y luego apriétela firmemente.
- Si no puede alinear la unidad principal en el orificio de montaje del techo, se puede ajustar posteriormente gracias a la ranura de la placa de montaje. (Fig. 2-6)
  - Asegúrese de que el paso A se realiza en 37 a 42 mm (de 1-15/32 a 1-21/32 in.). Si no se respeta este margen, podrían producirse graves daños.

## 2.6. Confirmar la posición de la unidad principal y apretar los tornillos de suspensión (Fig. 2-7)

- Compruebe, utilizando el calibre unido a la rejilla, que la parte inferior de la unidad principal esté correctamente alineada con la abertura del techo. Confírmelo, ya que en caso contrario se puede generar condensación y gotear debido a pérdidas de aire, etc.
- Confirme que la unidad principal está nivelada horizontalmente, utilizando un nivel o un tubo de vinilo relleno de agua.
- Una vez comprobada la posición de la unidad principal, apriete firmemente las tuercas de los tornillos de suspensión para fijar la unidad principal.
- La plantilla de instalación puede utilizarse como hoja de protección para evitar que entre polvo en la unidad principal cuando las rejillas no estén colocadas durante un tiempo o cuando deben alinearse los materiales del techo una vez finalizada la instalación de la unidad.

\* Para más detalles, consulte las instrucciones de la plantilla de instalación.

### 3. Tubos de refrigerante y de drenaje

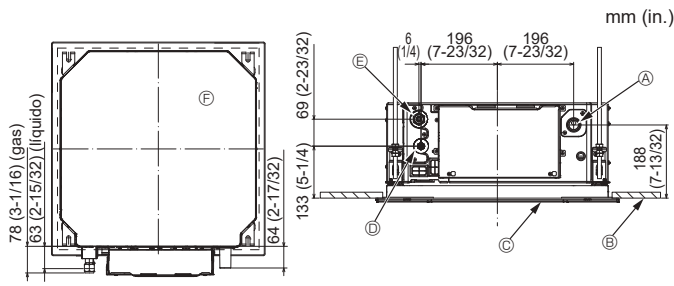


Fig. 3-1

#### 3.1. Ubicaciones de los tubos de refrigerante y drenaje de la unidad interior (Fig. 3-1)

- Ⓐ Tubo de drenaje
- Ⓑ Techo
- Ⓒ Rejilla
- Ⓓ Tubo de refrigerante (líquido)
- Ⓔ Tubo de refrigerante (gas)
- Ⓕ Unidad principal

#### 3.2. Tubos de conexión (Fig. 3-2)

- Si se utilizan tubos de cobre convencionales, envuelva las tuberías de líquido y gas con materiales aislantes (resistentes a una temperatura mínima de 100 °C, 212 °F, con un grosor mínimo de 12 mm (15/32 in.)).
- Las piezas interiores del tubo de drenaje deben estar envueltas en materiales aislantes de espuma de polietileno (con un peso específico de 0,03 y un grosor mínimo de 9 mm (11/32 in.)).
- Aplique una capa delgada de aceite refrigerante a la superficie del tubo y de la junta de asiento antes de apretar la tuerca abocardada.
- Para hacer la conexión, alinee primero el centro y apriete las primeras 3 o 4 vueltas de la tuerca abocardada con la mano.
- Utilice dos llaves de apriete para apretar las conexiones de los tubos.
- Utilice el aislante para la tubería de refrigerante incluido para aislar las conexiones de la unidad interior. Realice los aislamientos con cuidado.
- Una vez conectados los tubos de refrigerante a la unidad interior, realice una prueba de fuga de gas de las conexiones de los tubos con gas nitrógeno. (Compruebe que no haya ninguna fuga entre los tubos de refrigerante y la unidad interior).
- Ice la tuerca abocardada instalada en esta unidad interior.
- Si vuelve a conectar los tubos de refrigerante después de desmontarlos, asegúrese de que se haya reconstruido la parte abocardada del tubo.

#### ⚠ Atención:

- ¡Tenga cuidado de no soltar la tuerca abocardada! (Presurización interna)  
Extraiga la tuerca abocardada como se indica:
  1. Afloje la tuerca hasta que escuche un silbido.
  2. No extraiga la tuerca hasta que se haya liberado completamente el gas (es decir, hasta que se detenga el silbido).
  3. Compruebe que se haya liberado completamente el gas y extraiga la tuerca.
- Al instalar la unidad, conecte firmemente los tubos de refrigerante antes de poner en marcha el compresor.

#### ⚠ Precaución:

- Para reducir el riesgo de averías del compresor o de las válvulas, siga estas instrucciones para evitar que los componentes abrasivos contenidos en el papel de lija o las herramientas de corte entren en el circuito de refrigerante.
- Para desbarbar las tuberías, utilice un escairador u otras herramientas de desbarbado, no papel de lija ni herramientas de lijado que utilicen materiales abrasivos.
  - Para cortar las tuberías, utilice un cortador de tuberías, no una amoladora ni otras herramientas que utilicen materiales abrasivos.
  - Al cortar o desbarbar las tuberías, procure que las virutas de corte u otras partículas extrañas no penetren en las tuberías.
  - Si las virutas de corte u otras partículas extrañas penetran en las tuberías, limpie el interior de las mismas para eliminarlas.

#### Ⓐ Dimensiones del corte abocinado

Tubo de cobre O.D. (mm, in.)	Dimensiones de abocinado $\phi$ A dimensiones (mm, in.)
$\phi$ 6,35, 1/4	8,7 a 9,1, 11/32 a 23/64
$\phi$ 12,7, 1/2	16,2 a 16,6, 5/8 a 21/32

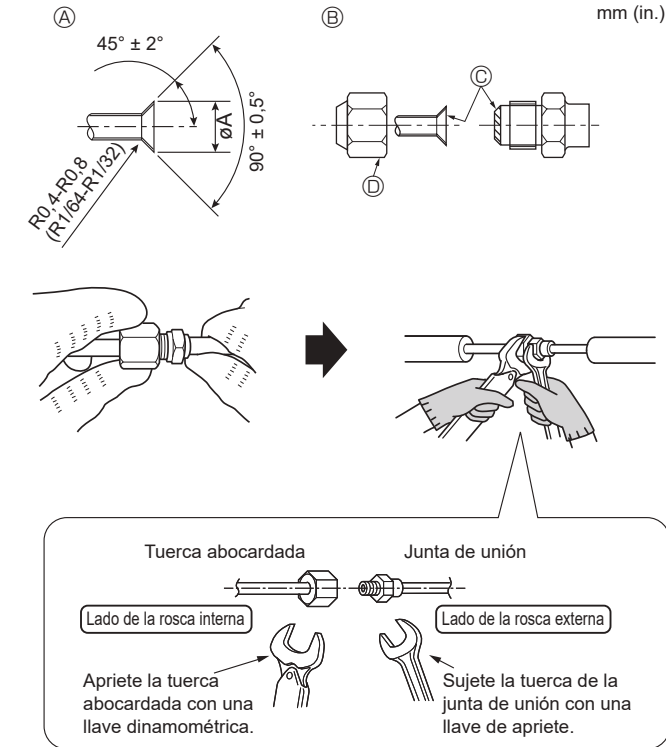


Fig. 3-2

#### Ⓑ Tamaños del tubo de refrigerante y par de apriete de la tuerca abocardada

	R454B				Diám. ext. de la tuerca abocardada	
	Tubería de líquido		Tubería de gas		Líquido tubería (mm, in.)	Gas tubería (mm, in.)
	Medida del tubo (mm, in.)	Apriete par de apriete (N·m, ft·lbs)	Medida del tubo (mm, in.)	Apriete par de apriete (N·m, ft·lbs)		
L05/08/12/15/18	OD $\phi$ 6,35, 1/4	14 a 18, 10 a 13	OD $\phi$ 12,7, 1/2	49 a 61, 36 a 45	17, 21/32	26, 1-1/32

#### Ⓒ Aplique aceite refrigerante para máquinas en toda la superficie abocinada.

\* No aplique aceite refrigerante para máquinas en las partes roscadas.  
(Esto hará que las tuercas abocardadas tiendan más a aflojarse.)

#### Ⓓ Asegúrese de utilizar las tuercas abocardadas que vienen colocadas en la unidad principal. (Si se utilizan productos de venta en comercios, podrían partirse.)

### 3. Tubos de refrigerante y de drenaje

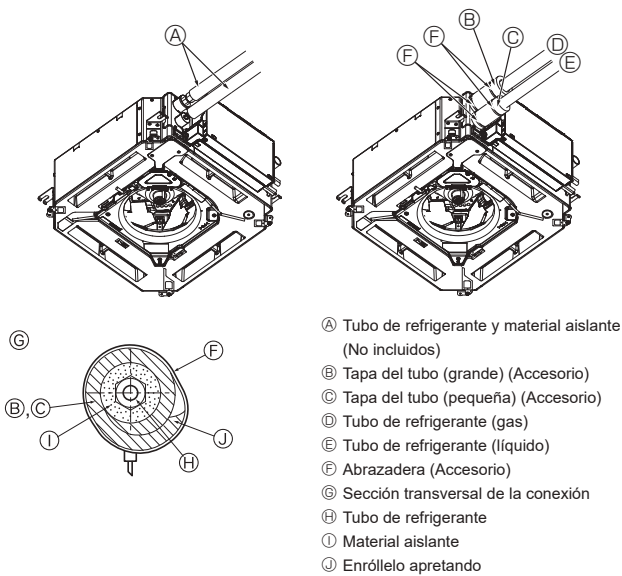


Fig. 3-3

#### 3.3. Unidad interior (Fig. 3-3)

##### Aislamiento térmico de los tubos de refrigerante:

- ① Envuelva la cubierta adjunta del tubo de mayor tamaño alrededor del tubo de gas, comprobando que el extremo de la cubierta del tubo entre en contacto con el lateral de la unidad.
  - ② Envuelva la cubierta adjunta del tubo de menor tamaño alrededor del tubo de líquido, comprobando que el extremo de la cubierta del tubo entre en contacto con el lateral de la unidad.
  - ③ Sujete ambos extremos de cada cubierta del tubo con las abrazaderas incluidas. (Coloque las abrazaderas a 20 mm (25/32 in.) de los extremos de la cubierta del tubo).  
Compruebe que la rendija de la cubierta del tubo quede hacia arriba al instalarla.
- Una vez conectados los tubos de refrigerante a la unidad interior, realice una prueba de fuga de gas de las conexiones de los tubos con gas nitrógeno. (Compruebe que no haya ninguna fuga entre los tubos de refrigerante y la unidad interior).

Después de cargar el refrigerante en la unidad interior, escriba la fecha en la columna "DATE OF FIRST CHARGE" (FECHA DE LA PRIMERA CARGA) de la placa de especificaciones.

#### 3.4. Tubería de drenaje (Fig. 3-4)

- Utilice VP25 (TUBO DE PVC O.D.  $\varnothing 32$  mm (1-1/4 in.)) para el tubo de drenaje y prevea una pendiente de descenso de 1/100 o más.
- Conecte las juntas de los tubos con un adhesivo de tipo polivinílico.
- Consulte la figura para realizar los trabajos de canalización.

- ① Tubería correcta
- ② Tubería incorrecta
  - No coloque un purgador de aire. Puede provocar el desbordamiento del drenaje. Ⓚ
  - No coloque un tubo elevado en la tubería. Ⓛ
  - No coloque sifones para evitar olores en la tubería. Ⓜ
- ③ Agrupación de tuberías
  - Ⓐ Aislamiento (9 mm (11/32 in.) o más)
  - Ⓑ Pendiente de descenso (1/100 o más)
  - Ⓒ Soporte metálico
  - Ⓚ Purgador de aire
  - Ⓛ Criado
  - Ⓜ Sifón para evitar olores
  - Ⓝ TUBO DE PVC O.D.  $\varnothing 32$  mm (1-1/4 in.)
  - Ⓔ Hágalo lo más ancho posible
  - Ⓕ Unidad interior
  - Ⓖ Haga la medida de la tubería ancha para la agrupación de tuberías.
  - Ⓗ Pendiente de descenso (1/100 o más)
  - Ⓛ TUBO DE PVC O.D.  $\varnothing 38$  mm (1-1/2 in.) para agrupación de tuberías. (Aislamiento de 9 mm (11/32 in.) o más)
  - Ⓜ Hasta 850 mm (33 in.)

1. Conecte el tubo de desagüe (suministrado con la unidad) al orificio de desagüe. (Fig. 3-5)
2. Instale un tubo de drenaje (no incluido) (tubo de PVC, O.D.  $\varnothing 32$  mm (1-1/4 in.)). (Sujete la tubería con un adhesivo de PVC y asegure la conexión con una abrazadera).
3. Aísle el tubo y la tubería. (Tubería de PVC, O.D.  $\varnothing 32$  mm (1-1/4 in.) y manguito)
4. Compruebe que el líquido de drenaje circule correctamente.
5. Aísle el orificio de desagüe con material aislante y sujételo con una abrazadera. (Tanto el material aislante como la abrazadera se incluyen con la unidad).

- Ⓐ Unidad
- Ⓑ Material aislante
- Ⓒ Abrazadera (grande)
- Ⓓ Orificio de desagüe (transparente)
- Ⓔ Margen de inserción
- Ⓕ Unión
- Ⓖ Tubo de drenaje (TUBO DE PVC O.D.  $\varnothing 32$  mm (1-1/4 in.))
- Ⓗ Material aislante (no incluido)
- Ⓛ Tubo de PVC transparente
- Ⓛ TUBO DE PVC O.D.  $\varnothing 32$  mm (1-1/4 in.) (pendiente de descenso de 1/100 o más)
- Ⓚ Abrazadera (media)
- Ⓛ Tubo de desagüe

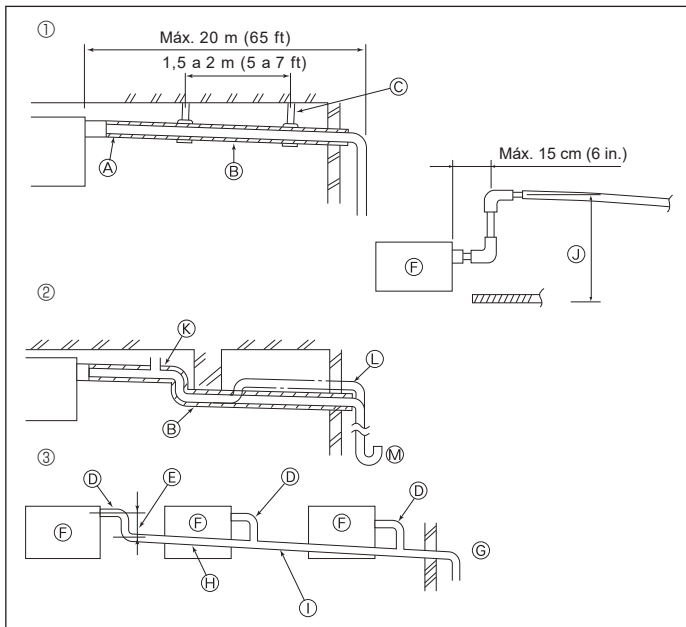


Fig. 3-4

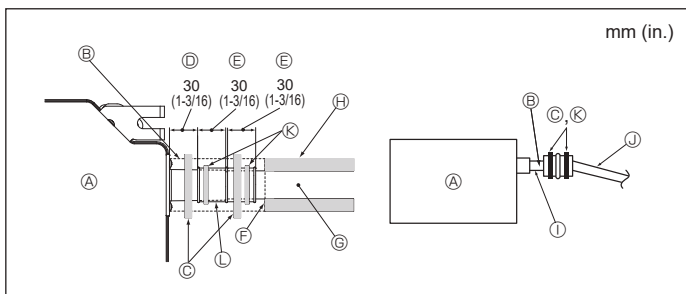


Fig. 3-5

## 4. Trabajo eléctrico

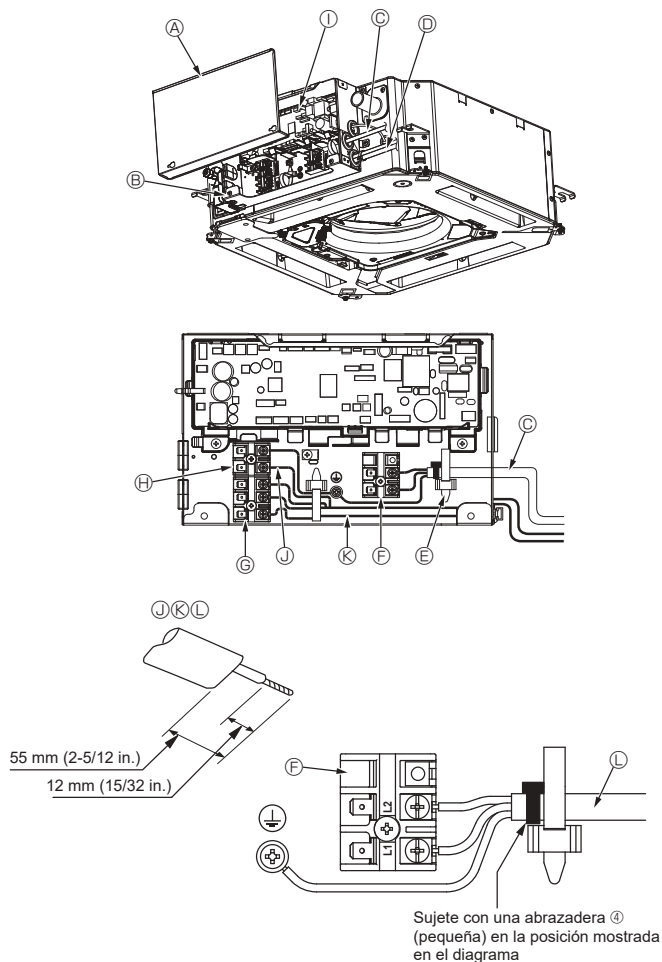


Fig. 4-1

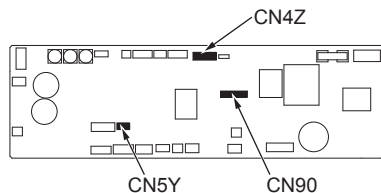


Fig. 4-2

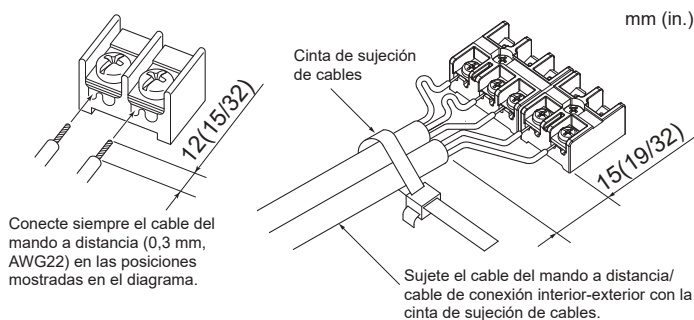
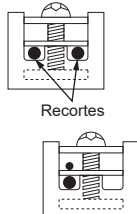


Fig. 4-3

<Cuando se conectan dos cables de conexión interior-exterior>

- Si los cables tienen el mismo diámetro, insértelos en las aberturas de ambos lados.
- Si los cables tienen diámetros diferentes, insértelos en un lado en espacios separados con un cable situado encima del otro.



### 4.1. Precaución

1. Siga las ordenanzas gubernamentales en cuanto a las normas técnicas relacionadas con el equipo eléctrico, las reglamentaciones sobre cableado y las indicaciones de cada compañía eléctrica.
2. El cableado para control (en lo sucesivo denominado línea de transmisión) deberá estar separado (como mínimo 5 cm) del cableado de la fuente de alimentación de modo que no le afecte el ruido eléctrico del cableado de la fuente de alimentación. (No intercale la línea de transmisión y el cable de la fuente de alimentación en el mismo conducto).

### 4.2. Unidad interior (Fig. 4-1, Fig. 4-2, Fig. 4-3)

1. Afloje los dos tornillos que sujetan la cubierta de las piezas eléctricas y luego deslice y retire la cubierta.
2. Pase todos los cables por las tomas de la caja de componentes eléctricos. (El cable de alimentación y el de control no están incluidos).
3. Conecte firmemente el cable de alimentación y el cable del control a los paneles de terminales.
4. Sujete los cables con las cintas de sujeción de cables situadas en el interior de la caja de componentes eléctricos. Sujete los cables utilizando como amortiguadores las cintas de sujeción de cables para no tensionar las secciones de conexión del bloque de terminales cuando se genera tensión.
5. Vuelva a colocar la cubierta de las piezas eléctricas tal y como estaba.
  - No permita que se aflojen los tornillos de terminales.
  - Instale siempre una toma de tierra. (Diámetro del cable de toma de tierra: grosor superior a 1,6 mm (1/16 in.))
  - Coloque el cable de alimentación y el de control en la caja de componentes eléctricos utilizando manguitos aisladores separadores para fuerza tractiva. (Conexión PG o similar).
  - La cinta está pegada encima del orificio del conducto utilizado para conectar el cableado eléctrico. Retire esta cinta si desea realizar una conexión a través del orificio.

- |   |  |
|---|--|
| Ⓐ Cubierta de las piezas eléctricas                                     | Ⓒ Terminales de transmisión (M1, M2, S)    |
| Ⓑ Caja de componentes eléctricos  | Ⓓ Terminal del mando a distancia MA (1. 2) |
| Ⓔ Entrada para el cable de alimentación                                 | Ⓘ Controlador de interior                  |
| Ⓕ Entrada para el cable del mando a distancia y el cable de transmisión | Ⓚ Cable del mando a distancia              |
| Ⓖ Pinza de cable  | Ⓛ Cable de transmisión                     |
| Ⓗ Terminales de alimentación (L1, L2)                                   | Ⓜ Cable de alimentación                    |

### ⚠ Precaución:

- Antes de instalar la rejilla, compruebe que haya conectado el cable de enlace.
- Si la rejilla dispone de receptor de señales o del Sensor i-see, el pack de la rejilla incluye cables de enlace.

- Cuando utilice el panel con el receptor de señal inalámbrica o el Sensor i-see, instale el cable de enlace inalámbrico para conectar con el cable desde el panel siguiendo estos pasos antes de instalar la unidad principal.

Receptor de señales: CN90

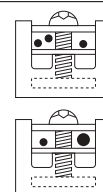
Sensor i-see: CN5Y

Motor del Sensor i-see: CN4Z

### ⚠ Atención:

- Inserte el gancho de la cubierta de las piezas eléctricas en el soporte doblado de la caja de componentes eléctricos, y coloque la tapa firmemente. Si se coloca de forma incorrecta, puede provocar un incendio o una descarga eléctrica debido al polvo, agua, etc.
- Conecte las unidades interior y exterior con el cable de conexión especificado y sujete bien el cable al panel de terminales de modo que no quede tenso en la zona de conexiones del panel. Una conexión o fijación defectuosa del cable podría provocar un incendio.

### ⚠ ATENCIÓN



- Está prohibido conectar dos cables en un lado.
- Está prohibido conectar tres o más cables al mismo terminal.
- Está prohibido conectar cables de diámetros diferentes.

Si utiliza alambre sólido, queda prohibido utilizar un terminal engarzado redondo u otro tipo de terminal.

## 4. Trabajo eléctrico

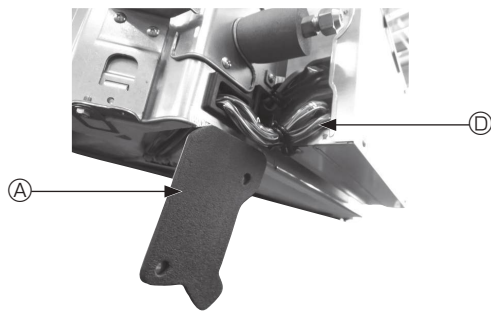


Fig. 4-4

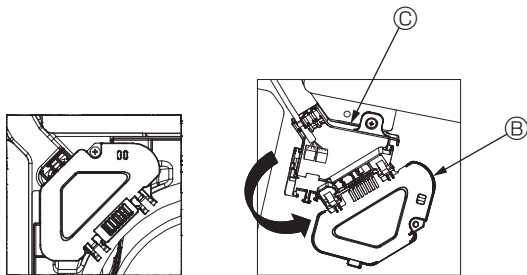


Fig. 4-5

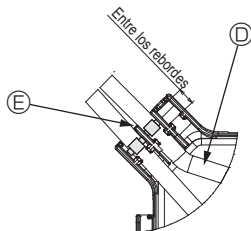


Fig. 4-6

### 4.2.1. Instalar el Sensor i-see y el receptor de señales

Antes de instalar la rejilla, conecte los cables de enlace incluidos con los accesorios de la rejilla y colóquelos en la caja de conexión.

- ① Retire los dos tornillos que sujetan la cubierta de alambre de la unidad principal, y luego abra la cubierta.
- ② Pase los cables del Sensor i-see y del receptor de señales por las entradas de cable de la caja de componentes eléctricos, tal como se muestra en el diagrama y alrededor de los casquillos del lado de la unidad principal. (Fig. 4-4)  
Al pasar los cables, abra la abrazadera que sujeta el cable de enlace de la rejilla, y luego sujete dicho cable y los cables del Sensor i-see y del receptor de señales con la abrazadera.
- ③ Retire el tornillo que sujeta la cubierta de la caja de conexión, y luego abra la cubierta. (Fig. 4-5)
- ④ Coloque el conector del cable de enlace en la caja de conexión.
- ⑤ Instale la cubierta de alambre y la cubierta de la caja de conexión.

#### ⚠ Precaución:

**Cuando instale las cubiertas, compruebe que los cables no queden atrapados. Coloque la abrazadera que sujeta los cables de unión entre los rebordes de la caja de conexión, tal como se muestra en el diagrama. (Fig. 4-6)**

- Ⓐ Cubierta de cables
- Ⓑ Cubierta de la caja de conexión
- Ⓒ Caja de conexión
- Ⓓ Cable principal del Sensor i-see o del receptor de señales (Accesorio de la rejilla)
- Ⓔ Abrazadera

## 4. Trabajo eléctrico

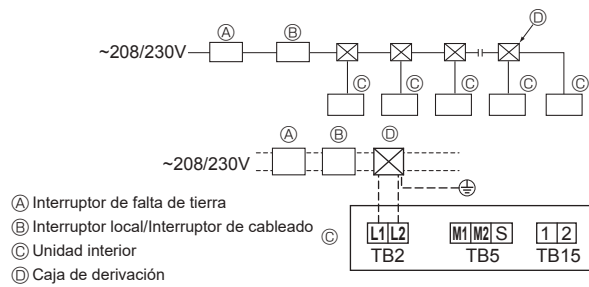


Fig. 4-7

### 4.3. Cableado de alimentación (Fig. 4-7)

- El tamaño del cableado deberá cumplir con las normativas nacionales y locales aplicables.
- Utilice cables de suministro de cobre.
- Utilice cables UL de 300 V o más para los cables de alimentación.
- El cable de alimentación del aparato no debe ser más ligero que el diseño 245 IEC 53 o 227 IEC57, 245 IEC 53 o 227 IEC 53.
- Instale un cable de tierra más largo que los demás cables.
- El instalador del acondicionador de aire debe colocar un interruptor con una separación entre contactos mínima de 3 mm (1/8 in.) en cada polo.
- El interruptor local y el interruptor de cableado deben estar siempre ACTIVADOS, excepto durante la limpieza o el mantenimiento. (Cuando se utiliza el R454B) Adjunte la etiqueta del disyuntor ⑦ y explíquelo a los clientes.
- Si el interruptor local o el interruptor de cableado están DESACTIVADOS, el sensor de refrigerante no detectará fugas de refrigerante porque no se suministra electricidad.

#### ⚠ Atención:

**Nunca empalme el cable de alimentación o el cable de conexión de la unidad interior-exterior, ya que podría provocar humo, un incendio o un error de comunicación.**

Intensidad de funcionamiento total de la unidad interior	Grosor mínimo del cable (mm <sup>2</sup> , AWG.No)			Interruptor de falta de tierra *1	Interruptor local (A)		Disyuntor para el cableado (NFB)
	Cable principal	Derivación	Tierra		Capacidad	Fusible	
F0 = 16 A o menos *2	1,5, AWG14	1,5, AWG14	1,5, AWG14	20 A sensibilidad a la corriente *3	16	16	20
F0 = 25 A o menos *2	2,5, AWG13	2,5, AWG13	2,5, AWG13	30 A sensibilidad a la corriente *3	25	25	30
F0 = 32 A o menos *2	4,0, AWG11	4,0, AWG11	4,0, AWG11	40 A sensibilidad a la corriente *3	32	32	40

Aplicáse el IEC61000-3-3 para la impedancia máx. admitida en el sistema

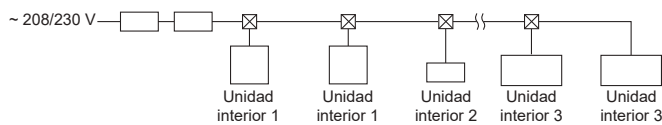
\*1 El interruptor de falta de tierra debería ser compatible con el circuito del inversor.

El interruptor de falta de tierra debería emplear un interruptor local o un interruptor de cableado.

\*2 Emplee el mayor de F1 o F2 como valor de F0.

F1 = corriente máxima operativa total de las unidades interiores × 1,2

F2 = {V1 × (Cantidad de unidad interior 1)/C} + {V1 × (Cantidad de unidad interior 2)/C} + {V1 × (Cantidad de unidad interior 3)/C} + ...



• V1 y V2

V1 y V2 son el coeficiente del disyuntor.

V1: Coeficiente del disyuntor de la corriente nominal

V2: Coeficiente del disyuntor de la sensibilidad de la corriente

Los valores de V1 y V2 varían según el modelo. Por lo tanto, consulte el IM de cada modelo.

• C : Múltiplo de la corriente de activación en un tiempo de activación de 0,01 s

Por favor, calcule la variable "C" en función del grado de activación del interruptor.

	V1	V2
PLFY-NFMU	19,8	2,4

<Ejemplo de cálculo para "F2">

\*Condición : PLFY-NFMU × 2 + PLFY-NEMU × 2 + PEFY-NMAU × 1

V1 de PLFY-NFMU = 19,8, V1 de PLFY-NEMU = 19,8, V1 de PEFY-NMAU = 38, C = 8 (consulte el gráfico de la derecha)

F2 = 19,8 × 2/8 + 19,8 × 2/8 + 38 × 1/8

= 14,65

→ Interruptor de 15 A (Corriente de activación = 8 × 15 A a 0,01 s)

\*3 La sensibilidad de corriente se calcula mediante la siguiente fórmula.

G1 = V2 × (Cantidad de unidad interior 1) + V2 × (Cantidad de unidad interior 2) + V2 × (Cantidad de unidad interior 3) + ... + V3 × (Longitud del cable [km])

<Ejemplo de cálculo para "G1">

\*Condición : PLFY-NFMU × 2 + PLFY-NEMU × 2 + PEFY-NMAU × 1

V2 de PLFY-NFMU = 2,4, V2 de PLFY-NEMU = 2,4, V2 de PEFY-NMAU = 1,6, grosor y longitud del cable: 1,5 mm<sup>2</sup> (AWG14) 0,2 km

G1 = 2,4 × 2 + 2,4 × 2 + 1,6 × 1 + 48 × 0,2

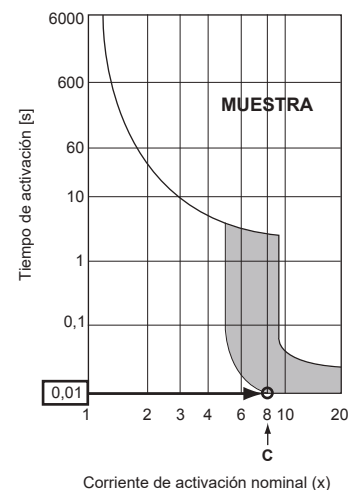
= 20,8

Como resultado, la sensibilidad de la corriente es de 30 mA 0,1 s o inferior.

G1	Sensibilidad a la corriente
30 o menos	30 mA 0,1 s o menos
100 o menos	100 mA 0,1 s o menos

Espesor del cable	V3
1,5 mm <sup>2</sup> , AWG14	48
2,5 mm <sup>2</sup> , AWG13	56
4,0 mm <sup>2</sup> , AWG11	66

Gráfico de muestra



## 4. Trabajo eléctrico

### 4.4. Tipos de cables de control

#### 1. Tendido de los cables de transmisión

Tipos de cables de transmisión	Cable blindado Utilizar cable UL con una capacidad de 300 V
Diámetro del cable	Más de 1,25 mm <sup>2</sup> (AWG16)
Longitud	Menos de 200 m (656 ft)

#### 2. Cables del mando a distancia MA

Tipos de cable del mando a distancia	Cable flexible de 2 almas (no blindado) Utilizar cable UL con una capacidad de 300 V
Diámetro del cable	De 0,3 a 1,25 mm <sup>2</sup> (AWG22 a AWG16)
Longitud	Menos de 200 m (656 ft)

### 4.5. Conectar los cables de transmisión del mando a distancia y de las unidades interior y exterior (Fig. 4-8)

• Conecte la unidad interior TB5 y la unidad exterior TB3. (2 cables no polarizados)  
La "S" de la unidad interior TB5 indica una conexión de cable blindado. Consulte en el manual de instalación de la unidad exterior las especificaciones sobre los cables de conexión.

• Instale un mando a distancia siguiendo las indicaciones del manual que se suministra con el mismo.

• Conecte el cable de transmisión del mando a distancia a una distancia máxima de 10 m (33 ft) utilizando un cable de núcleo interno de 0,75 mm<sup>2</sup> (AWG18). Si la distancia es superior a 10 m (33 ft), utilice un cable de enlace de 1,25 mm<sup>2</sup> (AWG16).

#### ① Mando a distancia MA

• Conecte "1" y "2" de la unidad interior TB15 a un mando a distancia MA. (2 cables no polarizados)

• De 9 a 13 V CC entre 1 y 2 (mando a distancia MA)

#### ② Mando a distancia inalámbrico (al instalar el receptor de señales inalámbricas)

• Conecte el cable del receptor de señales inalámbricas (cable de 9 polos) al conector CN90 del panel del controlador interior.

• Para cambiar la configuración del número del número del par, consulte el manual de instalación que se entrega con el mando a distancia inalámbrico. (En la configuración por defecto de la unidad interior y del mando a distancia inalámbrico, el número del par es 0).

Ⓐ Bloque de terminales para el cable de transmisión interior

Ⓑ Bloque de terminales para el cable de transmisión exterior (M1(A), M2(B), ⊕(S))

Ⓒ Mando a distancia

Ⓓ Receptor de señales inalámbricas

Ⓔ Mando a distancia inalámbrico

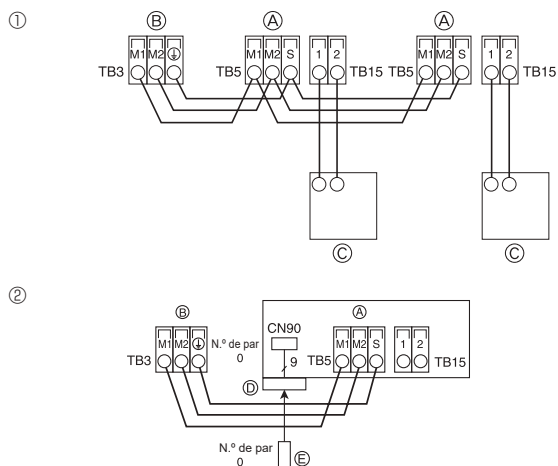


Fig. 4-8

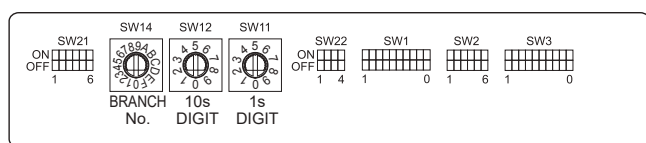


Fig. 4-9

### 4.6. Configuración de las direcciones (Fig. 4-9)

(Trabaje siempre con la unidad desactivada).

• Existen dos tipos de configuraciones para los interruptores giratorios: una es la configuración de las direcciones 1 a 9 y por encima de 10; y la otra es la configuración de los números de bifurcación.

#### ① Cómo ajustar direcciones

Ejemplo: Si la Dirección es "3", mantenga SW12 (para más de 10) en "0", y equipare SW11 (para 1 a 9) a "3".

#### ② Cómo ajustar los números de bifurcación SW14 (sólo para la Serie R2)

Haga coincidir el tubo de refrigerante de la unidad interior con el número de conexión del extremo del controlador BC.

Mantenga las demás series que no sean la R2 en "0".

• Todos los interruptores giratorios están ajustados a "0" al salir de fábrica. Estos interruptores pueden utilizarse para configurar las direcciones de la unidad y los números de bifurcación según se desee.

• La determinación de las direcciones de las unidades interiores varía según el sistema in situ. Ajustelas según se indica en el Libro de Datos.

### 4.7. Detectar la temperatura ambiente con el sensor integrado en un mando a distancia (Fig. 4-9)

Si desea detectar la temperatura ambiente con el sensor integrado en un mando a distancia, ajuste SW1-1 en el cuadro de control a "ON". El ajuste de SW1-7 y SW1-8, según sea necesario, también permite ajustar el flujo de aire cuando el termómetro de calefacción está apagado.

## 4. Trabajo eléctrico

### 4.8. Cambiar la configuración para techos altos (Fig. 4-9)

Con esta unidad, puede definirse el caudal de aire y la velocidad del ventilador ajustando los conmutadores SW21-1 y SW21-2. Seleccione uno de los ajustes de la tabla siguiente según la ubicación de la instalación.

\* Ajuste siempre los conmutadores SW21-1 y SW21-2, ya que de lo contrario pueden producirse problemas como que no se genere frío o calor.

	SW21-1	SW21-2	Altura
Silencioso	–	ON	2,5 m, 8,2 ft
Estándar	OFF	OFF	2,7 m, 8,9 ft: ajuste por defecto
Techo alto	ON	OFF	3,0 m, 9,8 ft

### 4.9. Cambie la configuración para el Sensor i-see (Fig. 4-9)

Con el panel del Sensor i-see, el conmutador SW3-4 debe configurarse como una posición del Sensor i-see. (Consulte la página 18).

	SW3-4	
Posición ①	OFF	Posición del indicador "□"
Posición ③	ON	Posición del indicador "○": ajuste por defecto

### 4.10. Cambiar el ajuste para la dirección del flujo de aire horizontal (Fig. 4-9)

El ángulo de la dirección del flujo de aire horizontal puede cambiarse utilizando SW3-5.

	SW3-5	
Sin corrientes	OFF	
Ajuste hacia abajo	ON	Ajuste por defecto

### 4.11. Características eléctricas

Símbolos: MCA: amperaje mínimo del circuito (= 1,25×FLA) FLA: Amperaje con carga plena  
IFM: Motor del ventilador interno Salida: Potencia nominal del motor del ventilador

Modelo	Alimentación		IFM		
	Voltios/Hz	Rango +- 10%	MCA (A)	Salida (kW)	FLA (A)
PLFY-L05NFMU-A	208/230 V / 60 Hz	Máx.: 253 V Mín.: 187 V	0,36	0,05	0,29
PLFY-L08NFMU-A			0,36	0,05	0,29
PLFY-L12NFMU-A			0,36	0,05	0,29
PLFY-L15NFMU-A			0,36	0,05	0,29
PLFY-L18NFMU-A			0,36	0,05	0,29

### 4.12. Para ajustar el aire en dirección arriba/abajo de forma fija (sólo para el mando a distancia con cable)

- Para PLFY-NFMU, sólo puede fijarse la salida particular hacia una dirección concreta mediante los siguientes procedimientos. Una vez fijada, la salida ajustada se fija únicamente cada vez que se enciende el acondicionador de aire. (El resto de salidas siguen la dirección del aire ARRIBA/ABAJO ajustada en el mando a distancia).

#### ■ Definición de términos

- "Nº de dirección de la unidad interior" es el número asignado a cada acondicionador de aire.
- "Salida nº" es el número asignado a cada salida del acondicionador de aire. (Consulte la imagen de la derecha.)
- "Dirección del aire Arriba/Abajo" es la dirección (ángulo) que se debe fijar.



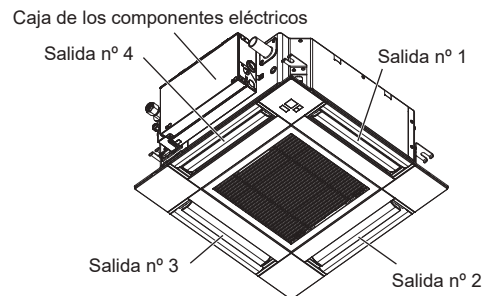
#### Ajuste del mando a distancia

En esta salida, la dirección del flujo de aire está controlada por el ajuste seleccionado con el mando a distancia.

#### Ajuste fijo

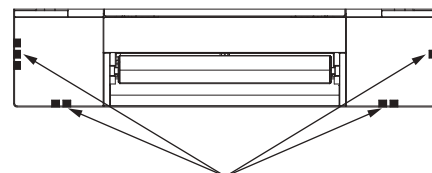
En esta salida, la circulación del aire está fijada en una dirección concreta.

\* Si tiene frío debido a que el aire le da directamente, la circulación de éste puede fijarse en posición horizontal para que no ocurra esto.



#### Nota:

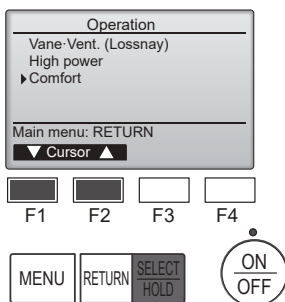
El nº de salida se indica según el número de ranuras en ambos extremos de cada salida de aire. Ajuste la dirección del aire consultando la información que se muestra en la pantalla del mando a distancia.



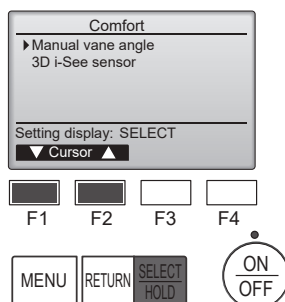
Marcas de identificación de la salida de aire

## 4. Trabajo eléctrico

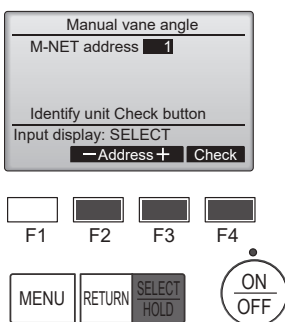
### ■ Ángulo lama manual (Mando a distancia con cable)



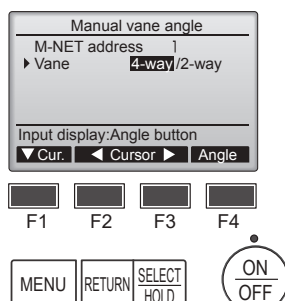
① Seleccione "Comfort" (CÓMODO) desde el menú Funcionamiento y pulse el botón [SELECT/HOLD] (Aceptar/Sujetar).



② Seleccione "Manual vane angle" (Ángulo lama manual) con los botones [F1] o [F2], y presione el botón [SELECT/HOLD] (Aceptar/Sujetar).

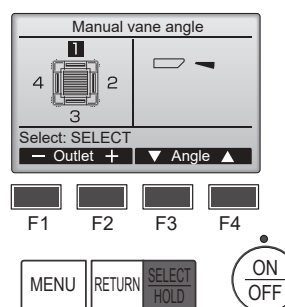


③ Seleccione "M-NET address" (dirección M-NET) para las unidades cuyos álabes haya que fijar, con los botones [F2] o [F3], y presione el botón [SELECT/HOLD] (Aceptar/Sujetar).  
Presione el botón [F4] para confirmar la unidad.  
Solo el deflector de la unidad interior apunta hacia abajo.



④ Seleccione "Vane" (Deflector) con el botón [F1].

Seleccione "4-way" (4 vías) o "2-way" (2 vías) con el botón [F2] o [F3], y pulse el botón [F4].



⑤ Aparecerán los ajustes actuales.

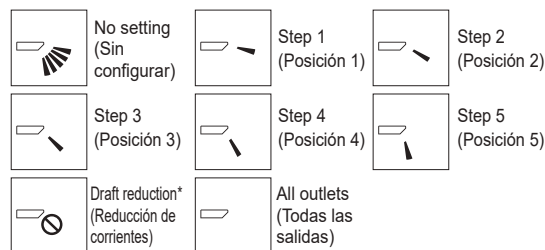
Seleccione las salidas deseadas de 1 a 4 con los botones [F1] o [F2].

• Salida: "1", "2", "3", "4" y "1, 2, 3, 4, (todas las salidas)".

Pulse el botón [F3] o [F4] para desplazarse por las opciones en este orden: "No setting (reset)" (Sin configurar (Borrar)), "Step 1" (Posición 1), "Step 2" (Posición 2), "Step 3" (Posición 3), "Step 4" (Posición 4), "Step 5" (Posición 5) y "Draft reduction" (Reducción de corrientes)\*. Seleccione la configuración deseada.

\* Reducción de corrientes  
La dirección del flujo de aire para este ajuste es más horizontal que la dirección del flujo de aire para el ajuste "Step 1" (Posición 1) para reducir la sensación de corrientes de aire. La reducción de corrientes solo puede ajustarse para 1 deflector.

### ■ Configuración del álabe



Presione el botón [SELECT/HOLD] (Aceptar/Sujetar) para guardar los ajustes.

Aparecerá una pantalla indicando que se está transmitiendo la información de configuración.

Los cambios de configuración se realizarán en la salida seleccionada.

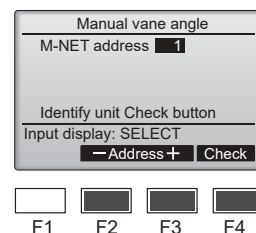
La pantalla volverá automáticamente a la mostrada arriba (Posición 5) una vez se haya completado la transmisión.

Realice las configuraciones para las otras salidas, siguiendo los mismos procedimientos.

Si se seleccionan todas las salidas, se mostrará la siguiente vez que la unidad entre en funcionamiento.

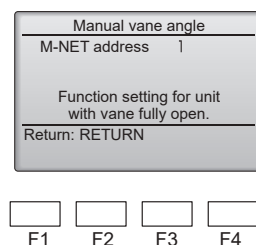
Navegación por las pantallas  
• Para volver a la pantalla anterior.....Botón [RETURN] (Volver)

### ■ Procedimiento de confirmación



① Seleccione "M-NET address" (dirección M-NET) para las unidades cuyos álabes haya que fijar, con los botones [F2] o [F3].

Presione el botón [F4] para confirmar la unidad.



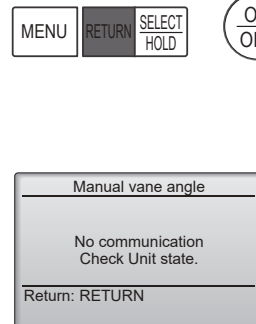
② Después de pulsar el botón [F4], espere unos 15 segundos y compruebe el estado actual del acondicionador de aire.

→ La lama está orientada hacia abajo.  
→ Este acondicionador de aire se visualiza en el controlador remoto.

→ Todas las salidas están cerradas.  
→ Pulse el botón [RETURN] (Volver) y continúe la operación desde el principio.

→ Se visualizan los mensajes mostrados a la izquierda. → El dispositivo de destino no existe en esta codificación de refrigerante.

• Pulse el botón [RETURN] (Volver) para volver a la pantalla inicial.



③ Cambie "M-NET address" (dirección M-NET) al siguiente número.

• Consulte el paso ① para cambiar "M-NET address" (dirección M-NET) y continúe con la confirmación.

⚠ Cuidado:  
Para evitar caídas, mantenga un buen equilibrio a la hora de manejar la unidad.

Nota:  
No establezca la reducción de corrientes en un entorno con una humedad alta. En caso contrario, podría formarse condensación y causar goteo.

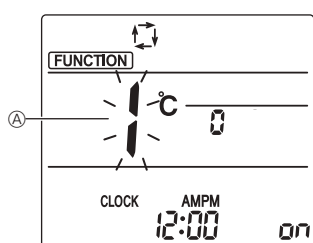
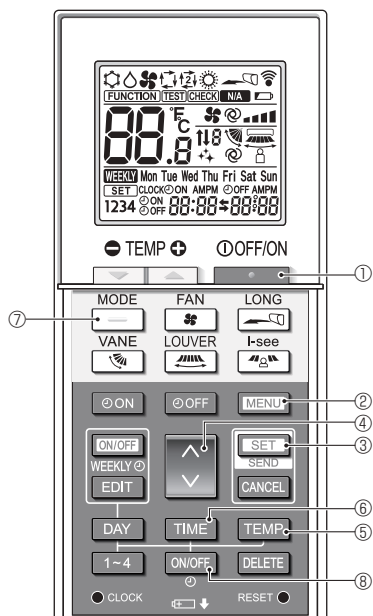


Fig. 4-10

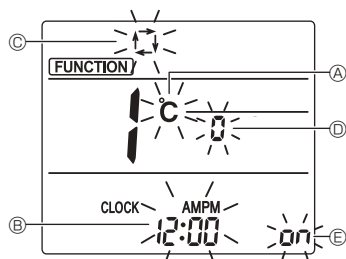


Fig. 4-11

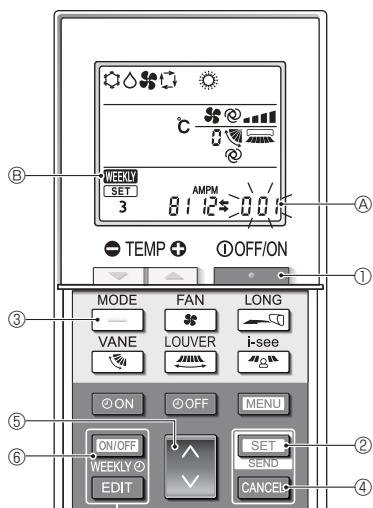


Fig. 4-12

### 4.13. Configuración inicial

Los siguientes ajustes se pueden definir en el modo de ajuste inicial.

Elemento	Configuración	Fig.4-11
Unidad de temperatura	°C/°F	Ⓐ
Visualización de la hora	Formato 12 horas/Formato 24 horas	Ⓑ
Modo AUTO	Punto de ajuste individual/punto de ajuste doble	Ⓒ
N.º de par	0-3	Ⓓ
Luz de fondo	On/Off	Ⓔ

#### 4.13.1. Cambiar al modo de ajuste inicial

- Pulse el botón **STOP** ① para detener el acondicionador de aire.
- Pulse el botón **MENU** ②.  
Se mostrará la pantalla de configuración de funciones y parpadeará el n.º de función Ⓐ. (Fig. 4-10)
- Compruebe que se muestra la función N.º "1", y luego pulse el botón **SET** ③.  
Se visualizará la pantalla de configuración de la visualización de Pantalla. (Fig. 4-11)

#### 4.13.2. Cambiar la unidad de temperatura (Fig. 4-11 Ⓐ)

- Pulse el botón **TEMP** ⑤.
- Cada vez que pulse el botón **TEMP** ⑤, el ajuste cambiará de **C** a **F**.
- C**: La temperatura se muestra en grados Celsius.
- F**: La temperatura se muestra en grados Fahrenheit.

#### 4.13.3. Cambiar la visualización de la hora (Fig. 4-11 Ⓑ)

- Pulse el botón **TIME** ⑥.
- Cada vez que pulse el botón **TIME** ⑥, el ajuste cambiará de **12:00** a **24:00**.
- 12:00**: La hora se visualiza en el formato de 12 horas.
- 24:00**: La hora se visualiza en el formato de 24 horas.

#### 4.13.4. Cambiar el modo AUTO (Fig. 4-11 Ⓒ)

- Pulse el botón **MODE** ⑦.
- Cada vez que pulse el botón **MODE** ⑦, el ajuste cambiará de **1** a **2**.
- 1**: El modo AUTO funciona como el modo automático habitual.
- 2**: El modo AUTO funciona utilizando dos puntos de ajuste.

#### 4.13.5. Cambiar el N.º de par (Fig. 4-11 Ⓓ)

- Pulse el botón **UP** ④.
- Cada vez que pulse el botón **UP** ④, cambia el N.º de par 0-3.

Nº de par del mando a distancia inalámbrico	Placa del PC interior SW22		
	SW22-3	SW22-4	
0	ON	ON	Configuración inicial
1	OFF	ON	
2	ON	OFF	
3	OFF	OFF	

#### 4.13.6. Cambiar el ajuste de la luz de fondo Ⓔ

- Pulse el botón **ON/OFF** ⑧.
- Cada vez que pulse el botón **ON/OFF** ⑧, el ajuste cambiará de **on** a **FF**.
- on**: La luz de fondo se enciende al pulsar un botón.
- FF**: La luz de fondo no se enciende al pulsar un botón.

#### 4.13.7. Completar los ajustes

- Pulse el botón **SET** ③.
- El N.º de función Ⓐ parpadea. (Fig. 4-10)
- Pulse el botón **MENU** ②.
- El mando a distancia sale del modo de ajuste inicial.  
(La operación del acondicionador de aire se ha detenido).

#### 4.13.8. Cómo desactivar el funcionamiento en modo Auto (Fig. 4-12)

- Pulse el botón **STOP** ① para detener el acondicionador de aire.
  - Si el temporizador semanal está activado, pulse el botón **ON/OFF WEEKLY** ⑥ para desactivarlo. (**WEEKLY** ⑥ desaparece).
- Pulse el botón **SET** ② durante 5 segundos.
  - El equipo entra en el modo de ajuste de funciones. (El número de ajuste del modelo de grupo Ⓐ parpadea).
- Pulse el botón **DOWN** ④.
  - Introduzca "066" como número de configuración del modelo de grupo. (El ajuste predeterminado es "002").
- Completar los ajustes (Fig. 4-12)
  - Pulse el botón **SET** ② durante 5 segundos.
  - El mando a distancia sale del modo de ajuste de funciones.

## 5. Instalar la rejilla

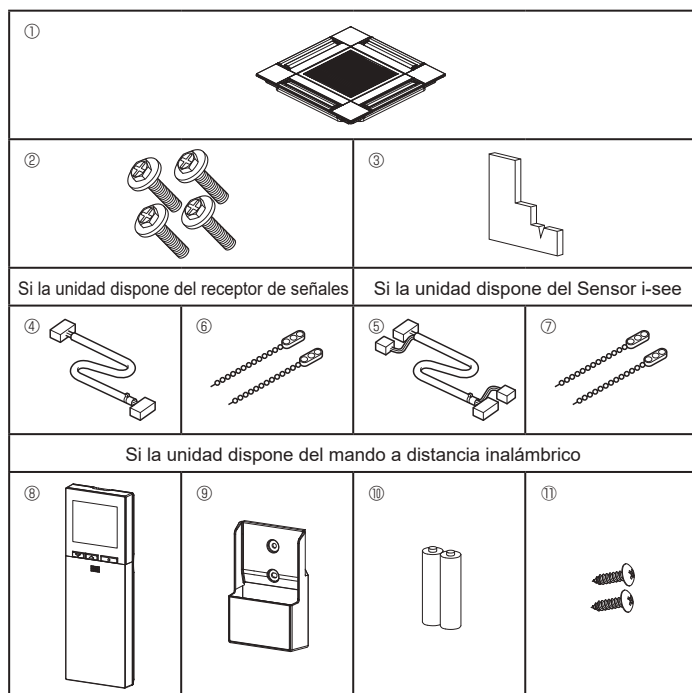


Fig. 5-1

### 5.1. Comprobación de los accesorios de la rejilla (Fig. 5-1)

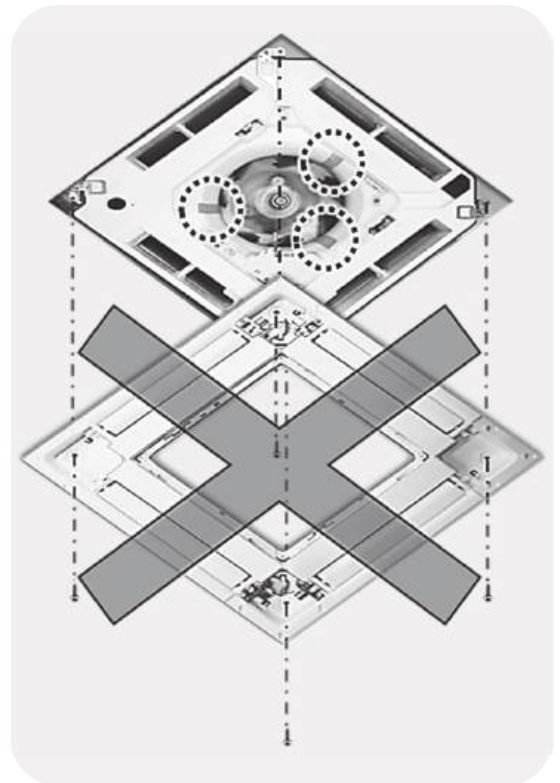
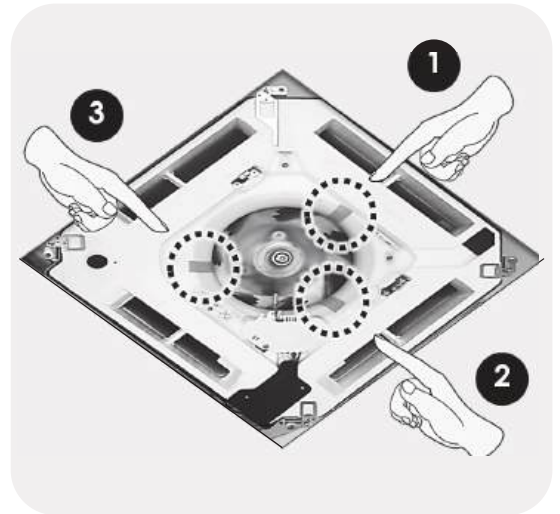
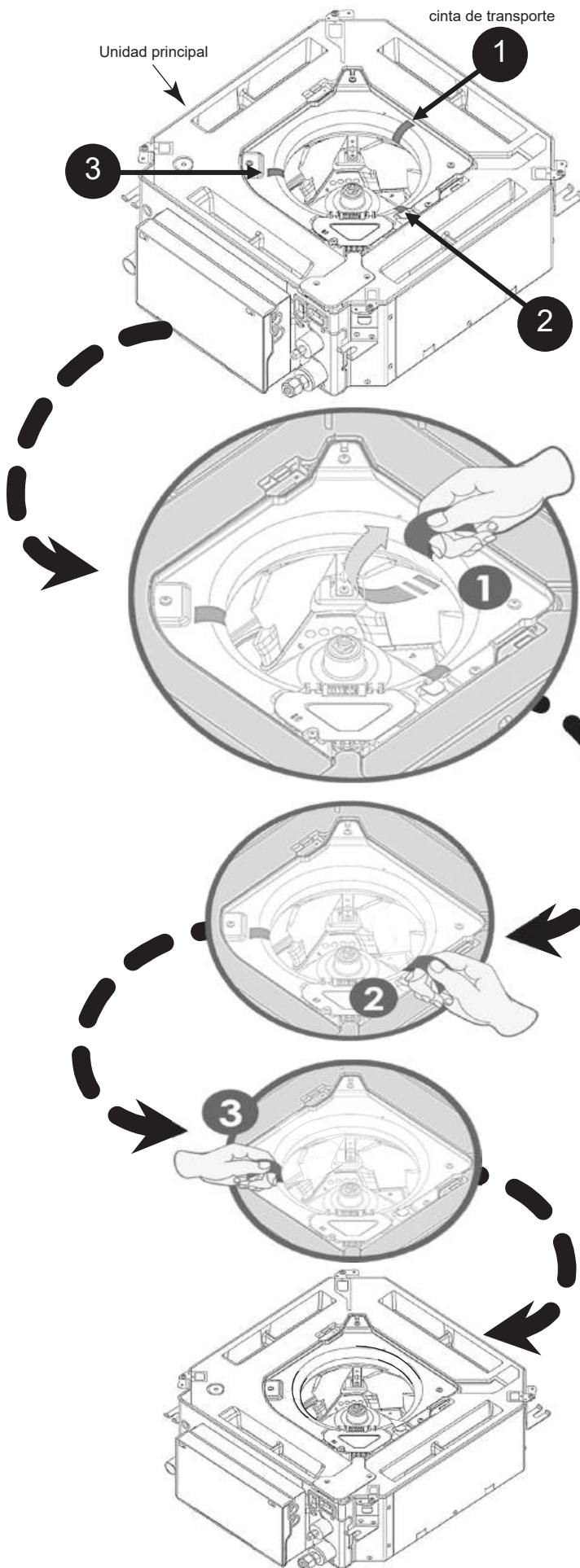
- La rejilla debe disponer de los siguientes accesorios.

	Nombre del accesorio	Cant.	Observación
①	Rejilla	1	625 × 625 (mm), 24-19/32 × 24-19/32 (in.)
②	Tornillo con arandela	4	M5 × 0,8 × 28 (mm), 1/32 × 1-7/64 (in.)
③	Calibre	1	
④	Cable de enlace para el receptor de señales	1	Se incluye si la unidad dispone del receptor de señales.
⑤	Cable de enlace para el Sensor i-see	1	Se incluye si la unidad dispone del Sensor i-see.
⑥	Remache	2	Se incluye si la unidad dispone del receptor de señales.
⑦	Remache	2	Se incluye si la unidad dispone del Sensor i-see.
⑧	Mando a distancia inalámbrico	1	Se incluye si la unidad dispone del mando a distancia inalámbrico.
⑨	Soporte del controlador remoto	1	Se incluye si la unidad dispone del mando a distancia inalámbrico.
⑩	Pilas LR6 AA	2	Se incluye si la unidad dispone del mando a distancia inalámbrico.
⑪	Tornillos roscados de 3,5 × 16 mm	2	Se incluye si la unidad dispone del mando a distancia inalámbrico.

## 5. Instalar la rejilla

### 5.2. Antes de la instalación

1. Retire la cinta de transporte. (Posición 3).



## 5. Instalar la rejilla

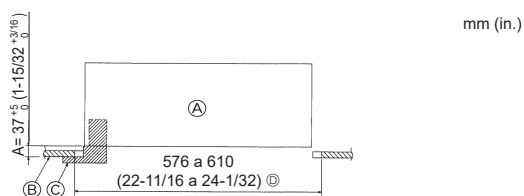


Fig. 5-2

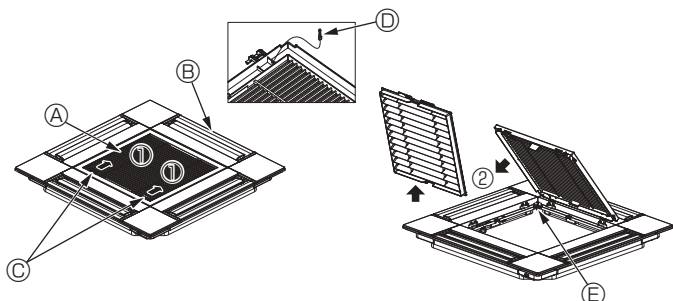


Fig. 5-3

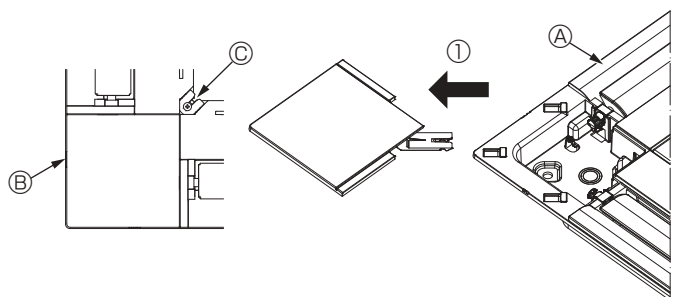


Fig. 5-4

<Gancho de la rejilla>

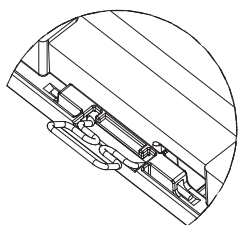


Fig. 5-5

<Rejilla colgada provisionalmente>

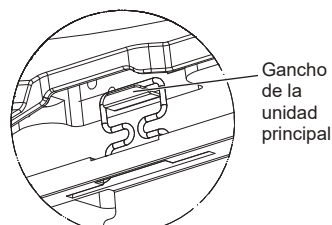


Fig. 5-6

### 5.3. Preparación para colocar la rejilla (Fig. 5-2)

- Con el calibre que se entrega con este equipo, ajuste y compruebe la posición de la unidad en relación con el techo. Si la unidad no está colocada en el techo de forma adecuada, podrían producirse escapes de aire, generarse una condensación o es posible que los deflectores de ascenso/descenso no funcionen correctamente.
- Asegúrese de que la abertura del techo esté dentro de los siguientes límites: 576 × 576 a 610 × 610 (mm), 22-11/16 × 22-11/16 a 24-1/32 × 24-1/32 (in.)
- Asegúrese de que el paso A se realiza en 37 a 42 mm (de 1-15/32 a 1-21/32 in.). Si no se respeta este margen, podrían producirse graves daños.

- Ⓐ Unidad principal
- Ⓑ Techo
- Ⓒ Calibre (Accesorio)
- Ⓓ Dimensiones de la abertura del techo

#### 5.3.1. Extracción de la rejilla de admisión (Fig. 5-3)

- Deslice las palancas en la dirección indicada con la flecha ① para abrir la rejilla de admisión.
- Retire el gancho que fija la rejilla.
  - \* No retire el gancho de la rejilla de admisión.
- Con la rejilla de admisión en posición "abierta", retire la bisagra de la rejilla de admisión de la rejilla tal y como se indica con la flecha ②.

- Ⓐ Rejilla de admisión
- Ⓑ Rejilla
- Ⓒ Palancas de la rejilla de admisión
- Ⓓ Gancho de la rejilla
- Ⓔ Orificio para el gancho de la rejilla

#### 5.3.2. Extracción del panel angular (Fig. 5-4)

- Retire el tornillo de la esquina del panel angular. Deslice el panel angular indicado con la flecha ① para retirarlo.

- Ⓐ Rejilla
- Ⓑ Panel angular
- Ⓒ Tornillo

## 5.4. Instalar la rejilla

- Preste atención porque la posición de instalación de la rejilla es determinada.

### 5.4.1. Instalación temporal de la rejilla

Alinee los orificios de los tornillos en las esquinas de la rejilla con los orificios correspondientes en las esquinas de la unidad principal, sujete los dos ganchos de la rejilla en los resaltes del depósito de drenaje de la unidad principal, y cuelgue provisionalmente la rejilla. (Fig. 5-5, 5-6)

#### ⚠ Precaución:

**Al instalar el Sensor i-see y el receptor de señales, coloque los cables de enlace en la caja de conexión antes de colgar temporalmente la rejilla.**

Consulte el apartado 4.2.1. de la página 8 para pasar los cables de enlace.

## 5. Instalar la rejilla

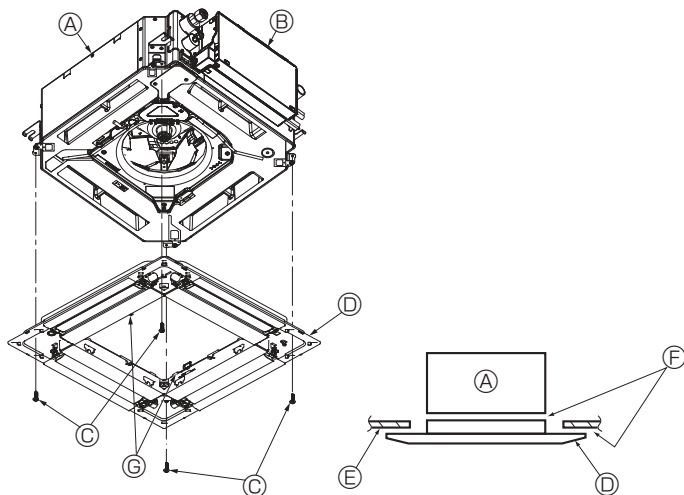


Fig. 5-7

Fig. 5-8

### 5.4.2. Fijación de la rejilla

- Sujete la rejilla apretando los cuatro tornillos. (Fig. 5-7)
- \* Compruebe que no haya huecos entre la unidad principal y la rejilla o entre la rejilla y el techo. (Fig. 5-8)

- Ⓐ Unidad principal
- Ⓑ Caja de componentes eléctricos
- Ⓒ Tornillo con arandela (accesorio)
- Ⓓ Rejilla
- Ⓔ Techo
- Ⓕ Asegúrese de que no queden huecos.
- Ⓖ Ganchos para sujeción provisional en el panel

#### ⚠ Precaución:

Quando apriete el tornillo con arandela cautiva Ⓒ, hágalo con un par de apriete de 4,8 N·m (4 ft-lbs) o menos. No utilice nunca un atornillador por percusión.

Podría provocar daños en las piezas.

- Después de apretar el tornillo, confirme que los dos ganchos de la rejilla (Fig. 5-6) estén sujetos en los ganchos de la unidad principal.

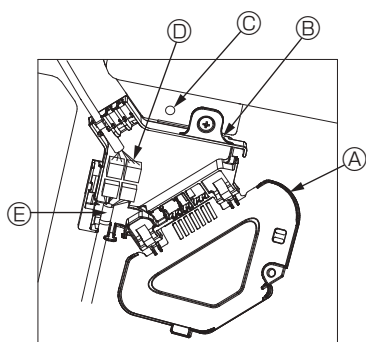


Fig. 5-9

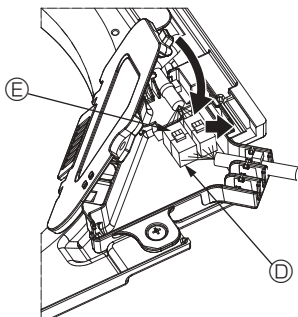


Fig. 5-10

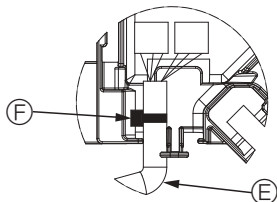


Fig. 5-11

### 5.4.3. Conectar los cables

- ① Retire el tornillo que sujeta la cubierta de la caja de conexión, deslice la cubierta en la dirección indicada por la flecha, como se muestra en el diagrama, y luego abra la cubierta.
- ② En la caja de conexión, localice el cable de enlace para el motor de los deflectores de la rejilla y el cable para el motor de los deflectores, y luego conecte los cables. (Fig. 5-9)  
Encontrará dos conectores del motor de los deflectores: un conector azul y un conector naranja. Cuando conecte los conectores, asegúrese de que los colores coincidan.
- ③ Después de colocar los cables en la caja de conexión, cierre la cubierta de la caja de conexión. Compruebe que los cables no queden atrapados. (Fig. 5-10)  
Al cerrar la cubierta de la caja de conexión, deslice la cubierta en la dirección indicada por la flecha y compruebe que el resalte haya quedado firmemente insertado.

- Ⓐ Cubierta de la caja de conexión
- Ⓑ Caja de conexión
- Ⓒ Tornillo de fijación
- Ⓓ Conector de enlace
- Ⓔ Conector del cable para el motor de los deflectores
- Ⓕ Abrazadera

#### ⚠ Precaución:

- Coloque la abrazadera que sujeta el cable del motor de los deflectores del panel en la caja de conexión, tal como se muestra en el diagrama. (Fig. 5-11)
- Cuando cierre la cubierta de la caja de conexión, compruebe que los cables no queden atrapados.

## 5. Instalar la rejilla

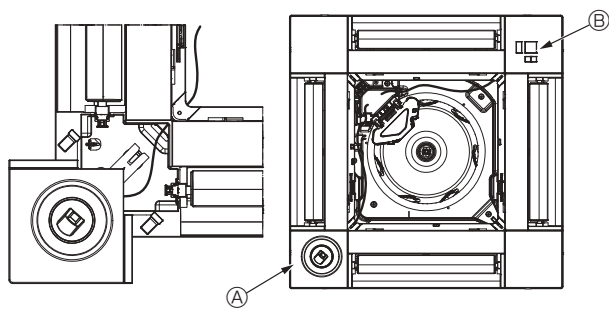


Fig. 5-12

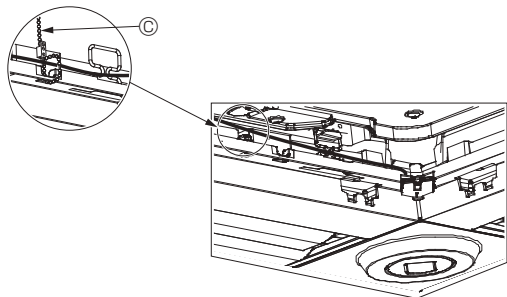


Fig. 5-13

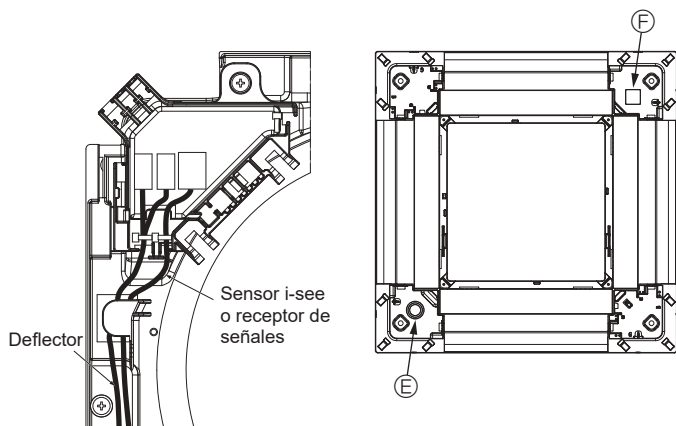


Fig. 5-14

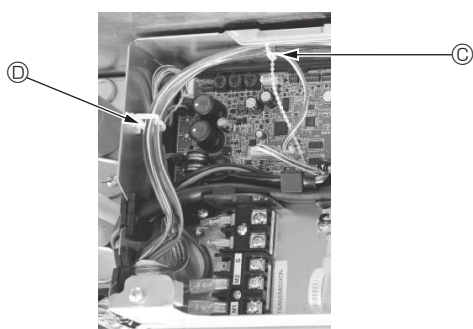


Fig. 5-15

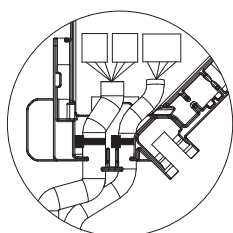


Fig. 5-16

### 5.4.4. Cableado del panel angular del Sensor i-see y del receptor de señales

- Coloque el Sensor i-see y el receptor de señales en las esquinas del panel, en las posiciones marcadas con "o" o "□". (Las posiciones se pueden invertir.)
- Pase los cables del Sensor i-see y del receptor de señales por los orificios cuadrados de las esquinas del panel y conéctelos.
- Conecte el conector del cable de enlace y los conectores de cable del Sensor i-see y del receptor de señales en la caja de conexión.
- Cierre la cubierta de la caja de conexión.
- Sujete los cables del Sensor i-see y del receptor de señales en el panel con el remache de la forma mostrada en el diagrama procurando que queden tensos, y luego corte el sobrante en el extremo del remache. (Fig. 5-13)
- Coloque los cables del Sensor i-see y del receptor de señales en el interior del reborde del panel.
- Si la posición del Sensor i-see ha cambiado de "o" (E) a "□" (F), cambie los ajustes de los conmutadores. (Consulte la página 11).

#### ⚠ Precaución:

- Coloque los cables del Sensor i-see y del receptor de señales como se indica en la Fig. 5-14.
- Coloque las partes sobrantes de los cables de enlace del Sensor i-see y del receptor de señales en la caja de componentes eléctricos en el clip para cables de la forma mostrada en el diagrama, y sujete los cables con el remache. (Fig. 5-15)
- Compruebe que la abrazadera que sujeta los cables de enlace del Sensor i-see y del receptor de señales esté colocado en el interior de la caja de conexión. (Fig. 5-16)
- Si los conectores del motor de los deflectores y el conector del receptor de señales están conectados de forma incorrecta, los deflectores no se moverán o la comunicación con el mando a distancia no será posible.

- Ⓐ Sensor i-see
- Ⓑ Receptor de señales
- Ⓒ Remache
- Ⓓ Clip para los cables
- Ⓔ Indicador "o": posición por defecto del Sensor i-see
- Ⓕ Indicador "□": posición por defecto del receptor de señales

## 5. Instalar la rejilla

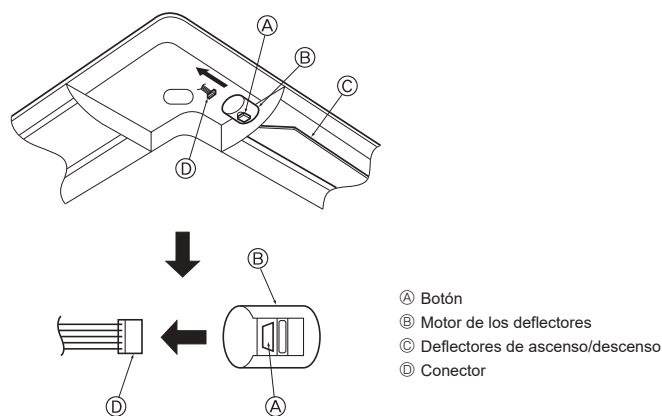


Fig. 5-17

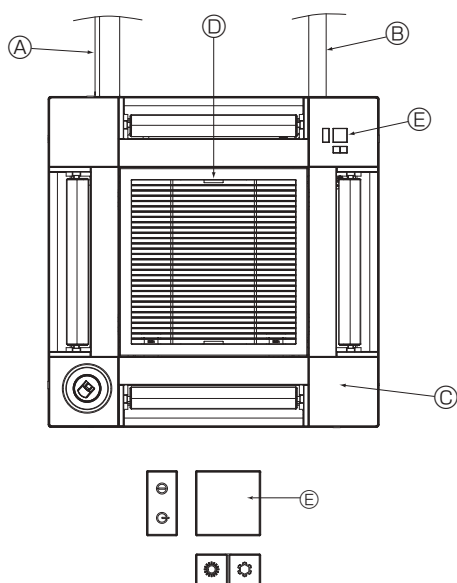


Fig. 5-18

### 5.5. Bloqueo de la dirección del flujo de aire de ascenso/descenso (Fig. 5-17)

Puede ajustar y bloquear los deflectores de la unidad con orientación de ascenso o descenso dependiendo de las condiciones ambientales de uso.

- Ajustelos de acuerdo con las preferencias del cliente.
  - Mediante el mando a distancia no se pueden manejar los deflectores de ascenso/descenso ni todos los controles automáticos. Además, la posición real de los deflectores puede variar respecto a la indicada en el mando a distancia.
- ① Desactive el interruptor de alimentación principal. Pueden producirse lesiones o descargas eléctricas mientras gire el ventilador de la unidad.
  - ② Desconecte el conector del motor de los deflectores del ventilador que desee bloquear. (Mientras pulsa el botón, retire el conector en la dirección indicada por la flecha tal y como se indica en el diagrama). Después de retirar el conector, aíslalo con cinta aislante.



#### Precaución:

**No ajuste los deflectores de ascenso/descenso fuera del rango especificado. Podría formarse condensación y caer desde el techo, o la unidad podría no funcionar correctamente.**

### 5.6. Instalación de la rejilla de admisión (Fig. 5-18)

- Invierta el procedimiento descrito en el apartado "5.3. Preparación para colocar la rejilla" para instalar la rejilla de admisión y el panel angular.
- Ⓐ Tuberías de refrigerante de la unidad principal
- Ⓑ Tuberías de drenaje de la unidad principal
- Ⓒ Panel angular
- \* Instalación en cualquier posición, en caso de que sea posible.
- Ⓓ Posición de las palancas de la rejilla de admisión con la configuración original de fábrica.
- \* De todos modos, puede instalar los clips en cualquiera de las cuatro posiciones.
- Ⓔ Receptor (para PAR-SF9FA-E)

### 5.7. Comprobación

- Asegúrese de que no hay ningún hueco entre la unidad y la rejilla, ni entre la rejilla y la superficie del techo. Si hubiese alguno, podrían formarse gotas de condensación.
- Asegúrese de que los cables han quedado firmemente conectados.
- Compruebe que los cuatro deflectores se muevan. Si dos o cuatro deflectores no se mueven, consulte el apartado 5.4. y compruebe las conexiones.
- Para el panel angular del Sensor 3D i-see, compruebe el movimiento de rotación. Si el Sensor 3D i-see no gira, revise el procedimiento de "5.4. Instalar la rejilla".

## 6. Prueba de funcionamiento

### 6.1. Antes de realizar la prueba de funcionamiento

- ▶ Después de la instalación de tubos y cables en las unidades interior y exterior, compruebe que no haya escapes de refrigerante, que no se haya aflojado ni la fuente de alimentación ni el cableado de control, que la polaridad no sea errónea y que no se haya desconectado ninguna fase de la alimentación.
- ▶ Utilice un megóhmetro de 500 V para comprobar que la resistencia entre los bornes de alimentación y la tierra es como mínimo de 1,0 MΩ.

- ▶ No efectúe esta prueba en los bornes de los cables de control (circuito de bajo voltaje).

⚠ **Atención:**

No utilice el acondicionador de aire si la resistencia de aislamiento es inferior a 1,0 MΩ.

### Interfaz del controlador

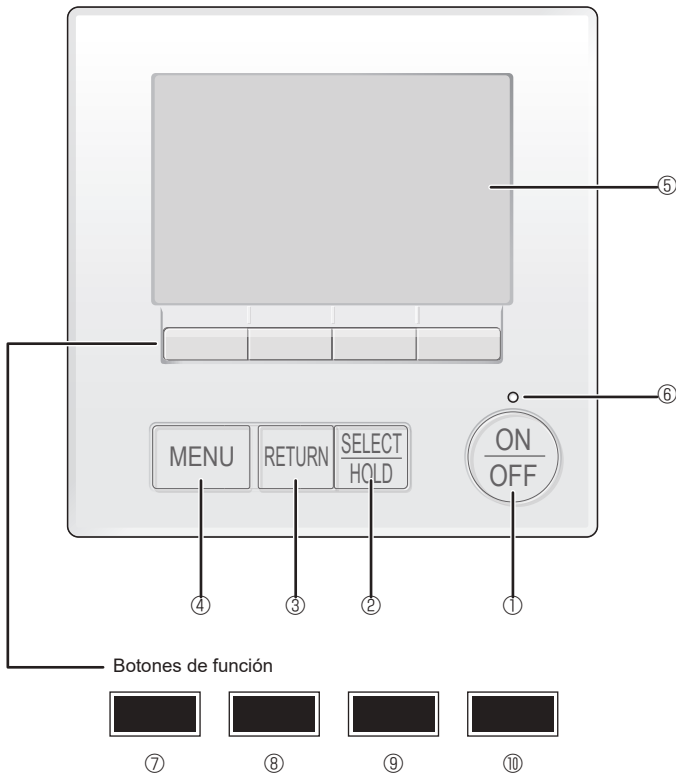


Fig. 6-1

### 6.2. Prueba de funcionamiento

Están disponibles los siguientes 3 métodos.

#### 6.2.1. Al usar el mando a distancia con cable (Fig. 6-1)

##### ① Botón [ON/OFF]

Púlselo para activar/desactivar la unidad interior.

##### ② Botón [SELECT/HOLD]

Presione para guardar la configuración.

Cuando se muestra el menú Principal, al pulsar este botón se activará/desactivará la función HOLD.

##### ③ Botón [RETURN]

Pulse para volver a la pantalla anterior.

##### ④ Botón [MENÚ]

Púlselo para ir al Menú principal.

##### ⑤ LCD con iluminación de fondo

Aparecerá la configuración de operaciones.

Cuando la luz de fondo esté apagada, al pulsar cualquier botón se ilumina la luz de fondo y permanece iluminada durante un período de tiempo determinado dependiendo de la pantalla.

Cuando la luz de fondo está apagada, la luz se enciende al pulsar cualquier botón, que no realizará su función. (salvo el botón [ENCENDIDO/APAGADO])

##### ⑥ Lámpara de [ON/OFF]

Esta lámpara se ilumina en verde mientras la unidad esté en funcionamiento. Parpadea cuando se está iniciando el mando a distancia o cuando hay un error.

##### ⑦ Botón de función [F1]

Pantalla principal: Púlselo para cambiar el modo de operación.

Pantalla de menús: La función del botón depende de la pantalla.

##### ⑧ Botón de función [F2]

Pantalla principal: Púlselo para disminuir la temperatura.

Menú principal: Púlselo para mover el cursor hacia la izquierda.

Pantalla de menús: La función del botón depende de la pantalla.

##### ⑨ Botón de función [F3]

Pantalla principal: Púlselo para aumentar la temperatura.

Menú principal: Púlselo para mover el cursor hacia la derecha.

Pantalla de menús: La función del botón depende de la pantalla.

##### ⑩ Botón de función [F4]

Pantalla principal: Púlselo para cambiar la velocidad del ventilador.

Pantalla de menús: La función del botón depende de la pantalla.

## 6. Prueba de funcionamiento

### Paso 1 Seleccione "Test run" (Modo prueba) desde el controlador remoto.

- ① Seleccione "Service" (Revisión) desde el Menú principal, y pulse el botón [SELECT/HOLD] (Aceptar/Sujetar).
- ② Una vez seleccionado el Menú Revisión aparecerá una ventana que pide la contraseña. (Fig. 6-2)  
Para introducir la contraseña actual de mantenimiento (4 dígitos numéricos), mueva el cursor hasta el dígito que desea cambiar con el botón [F1] o [F2] y fije cada número (0 a 9) con el botón [F3] o [F4]. A continuación, pulse el botón [SELECT/HOLD] (Aceptar/Sujetar).

Nota: La contraseña inicial de mantenimiento es "9999". Cambie la contraseña predeterminada para evitar un posible acceso no autorizado. Tenga la contraseña disponible para aquellos que la necesiten.

Nota: Si se olvida de la contraseña de mantenimiento, puede restablecer la contraseña predeterminada "9999" pulsando y manteniendo pulsados los botones [F1] y [F2] simultáneamente durante tres segundos en la pantalla de ajuste de contraseña de mantenimiento.

- ③ Seleccione "Test run" (Modo prueba) con el botón [F1] o [F2], y pulse el botón [SELECT/HOLD] (Aceptar/Sujetar). (Fig. 6-3)
- ④ Seleccione "Test run" (Modo prueba) con el botón [F1] o [F2], y pulse el botón [SELECT/HOLD] (Aceptar/Sujetar). (Fig. 6-4)

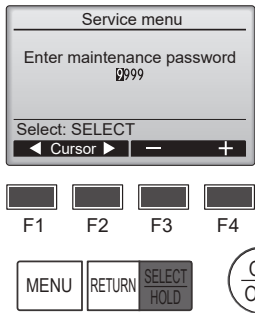


Fig. 6-2

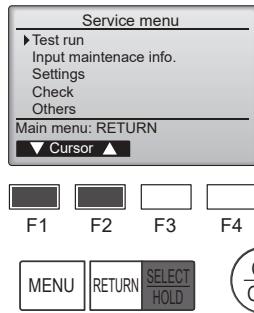


Fig. 6-3

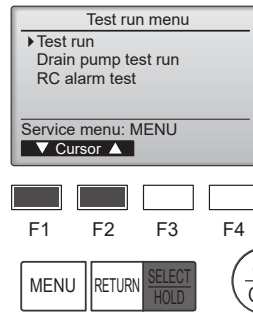


Fig. 6-4

### Paso 2 Realice la prueba y compruebe la temperatura del flujo de aire y el sistema automático de desviación del aire.

- ① Pulse el botón [F1] para recorrer los modos de funcionamiento, siguiendo el orden de "Cool" (Frío) y "Heat" (Calor). (Fig. 6-5)  
Modo Frío: compruebe si sale aire frío.  
Modo Calor: compruebe si sale aire caliente.  
Nota:  
Compruebe el funcionamiento del ventilador de la unidad exterior.
- ② Pulse el botón [SELECT/HOLD] (Aceptar/Sujetar) y abra la pantalla de ajuste de la paleta.  
de la paleta.

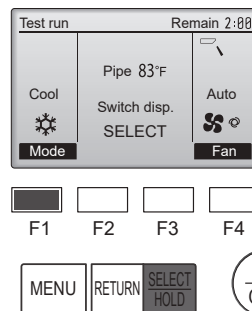


Fig. 6-5

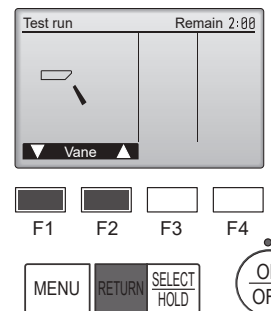


Fig. 6-6

#### Comprobación de la paleta automática

- ① Compruebe la paleta automática con los botones [F1] [F2]. (Fig. 6-6)
- ② Pulse el botón [RETURN] (Volver) para volver a "Test run" (Modo prueba).
- ③ Pulse el botón [ON/OFF].

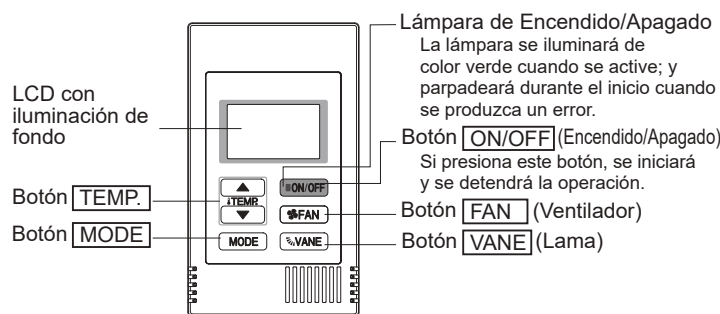


Fig. 6-7

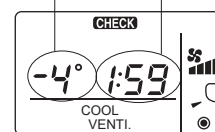
#### 6.2.2. Prueba de funcionamiento

##### Al usar el controlador remoto MA simple (Fig. 6-7)

- ① Antes de iniciar una prueba de funcionamiento, consulte la sección "Prueba de funcionamiento" del manual de instalación de la unidad interior.
- ② Cuando pulsa el botón [ON/OFF] y el botón [TEMP. ▲] simultáneamente durante dos segundos o más, se activará el botón de prueba.
- ③ Pare la prueba de funcionamiento pulsando el botón [ON/OFF].
- ④ Si aparece un código de error en el controlador remoto o si el acondicionador de aire no funciona correctamente, consulte el manual de instalación de la unidad exterior u los otros documentos técnicos.

<p>Temperatura de las tuberías de la unidad interior</p> <p>Rango de visualización: -4°F (-20°C) a 158°F (70°C)</p> <p>"-4°F" o "158°F" parpadea en la pantalla.</p>
--

<p>Tiempo de prueba</p> <p>Se visualiza el tiempo restante de la prueba.</p> <p>Rango de visualización: 2:00 a 0:01</p> <p>Después de dos horas, la prueba se detendrá automáticamente.</p>
---



## 6. Prueba de funcionamiento

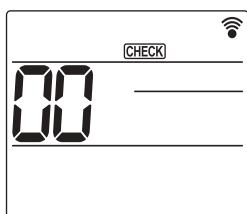


Fig. 6-8

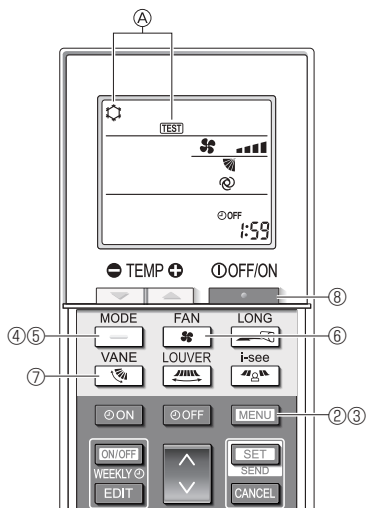
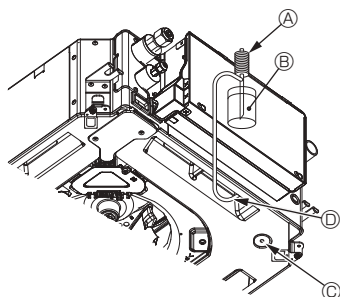


Fig. 6-9



- Ⓐ Bomba de alimentación de agua
- Ⓑ Agua (unos 1000 cm<sup>3</sup>, 1/4 galones)
- Ⓒ Tapón de drenaje
- Ⓓ Vaciar agua por la salida
  - Tenga cuidado de que no caiga agua en el mecanismo de la bomba de drenaje.

Fig. 6-10

### 6.2.3. Utilizar el mando a distancia inalámbrico

- ① Active la unidad al menos 12 horas antes de realizar una prueba de funcionamiento.
- ② Pulse el botón **MENU** durante 5 segundos. (Fig. 6-8)  
(Realice esta operación con la pantalla del mando a distancia apagada).
- ③ Pulse el botón **MENU**.  
En pantalla se visualiza Ⓐ [TEST] (PRUEBA) y el modo actual de funcionamiento. (Fig. 6-9)
- ④ Pulse el botón **—** para activar el modo de refrigeración, y compruebe si sale aire frío de la unidad.
- ⑤ Pulse el botón **—** para activar el modo de calefacción, y compruebe si sale aire caliente de la unidad.
- ⑥ Pulse el botón **☼** y compruebe si cambia la velocidad del ventilador.
- ⑦ Pulse el botón **☼** y compruebe que el sistema automático de desviación del aire funciona correctamente.
- ⑧ Pulse el botón **—** para detener la prueba de funcionamiento.  
(Al cabo de dos horas, se enviará una señal para detener la prueba de funcionamiento).

#### Nota:

- Cuando siga los pasos ③ a ⑧, oriente el mando a distancia hacia el receptor de la unidad interior.
- No es posible realizar la prueba de funcionamiento en los modos FAN (VENTILADOR), DRYING (SECAR) o AUTO.

### 6.3. Comprobación del drenaje (Fig. 6-10)

- Compruebe que el agua se drena correctamente y que no hay fugas en las juntas.

#### Si el trabajo eléctrico está terminado.

- Vacíe agua durante el funcionamiento de refrigeración y efectúe la comprobación.

#### Si el trabajo eléctrico no está terminado.

- Vacíe agua durante el funcionamiento de emergencia y efectúe la comprobación.
- \* El depósito de drenaje y el ventilador se activan simultáneamente al conectar la tensión monofásica 208/230 V en L1 y L2 del bloque de terminales después de conectar (ON) el conector (SWE) del cuadro del controlador que hay en la caja de derivación eléctrica.

Asegúrese de devolverlo a su posición original al finalizar el trabajo.

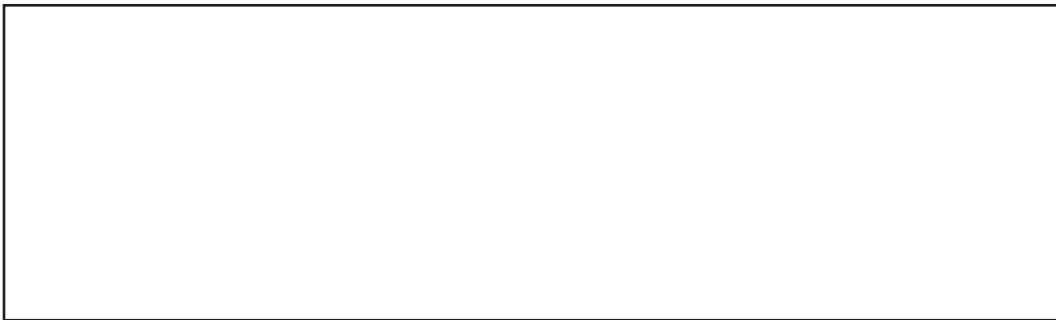






This product is designed and intended for use in the residential,  
commercial and light-industrial environment.

Please be sure to put the contact address/telephone number on  
this manual before handing it to the customer.



**mitsubishi electric corporation**

HEAD OFFICE: TOKYO BUILDING, 2-7-3, MARUNOUCHI, CHIYODA-KU, TOKYO 100-8310, JAPAN