

PARTS CATALOG

Series PLA Ceiling Cassettes

R454B

Indoor unit
[Model Name]

[Service Ref.]

PLA-AE12NL

PLA-AE12NL-U1

PLA-AE18NL

PLA-AE18NL-U1

PLA-AE24NL

PLA-AE24NL-U1

PLA-AE30NL

PLA-AE30NL-U1

PLA-AE36NL

PLA-AE36NL-U1

PLA-AE42NL

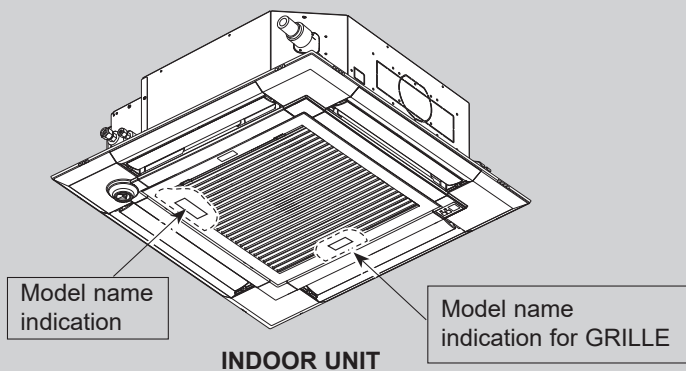
PLA-AE42NL-U1

PLA-AE48NL

PLA-AE48NL-U1

Grille model
[Model Name]

PLP-41EAEU



CONTENTS

1. SERVICE PARTS LIST 2
2. OPTIONAL PARTS 6

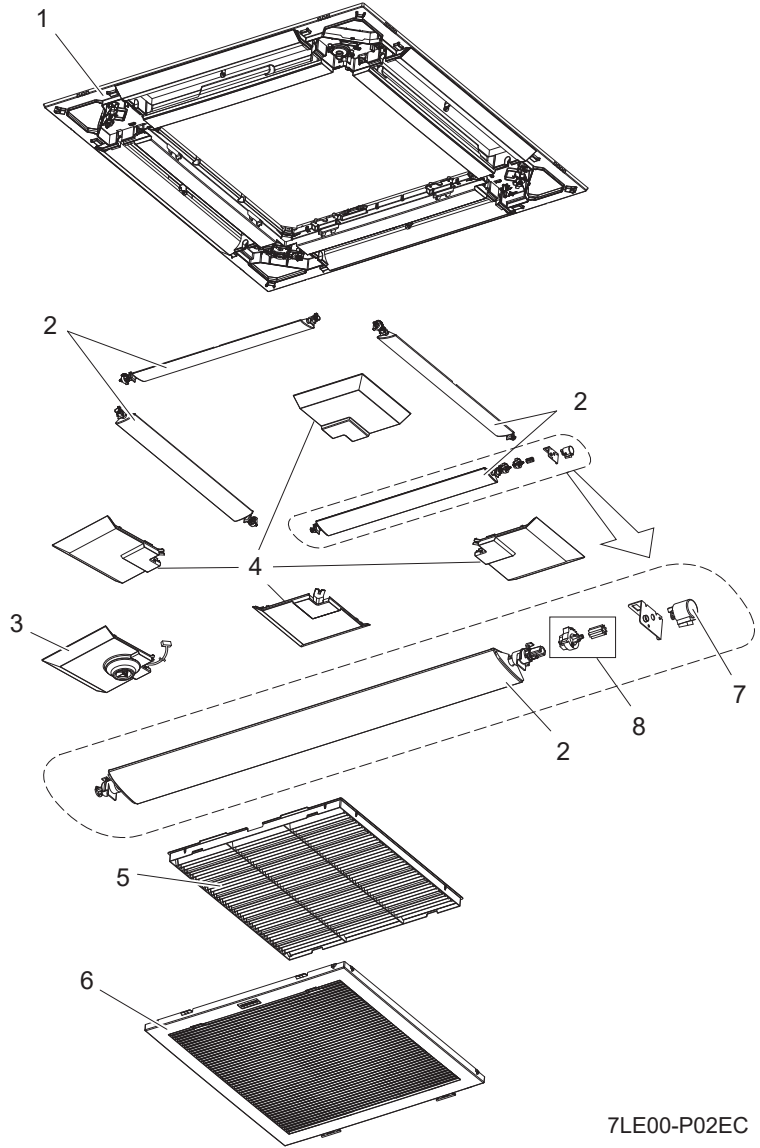
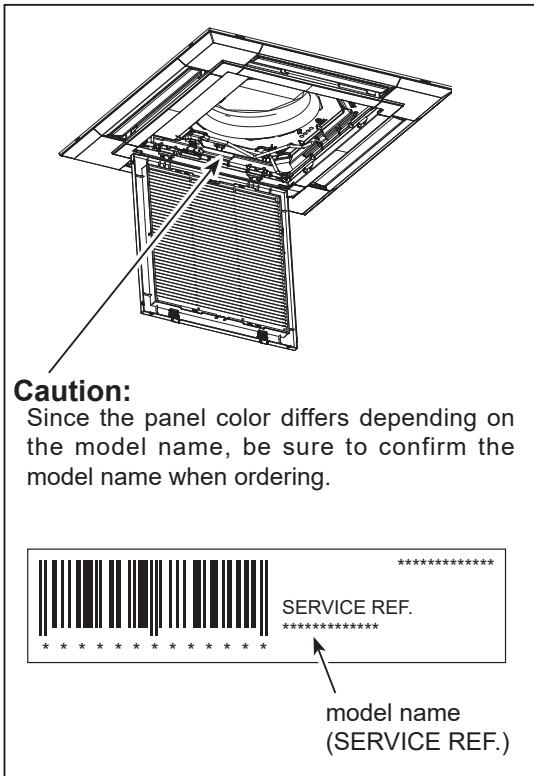
SERVICE MANUAL (OCH856)



1

SERVICE PARTS LIST

GRILLE PARTS



7LE00-P02EC

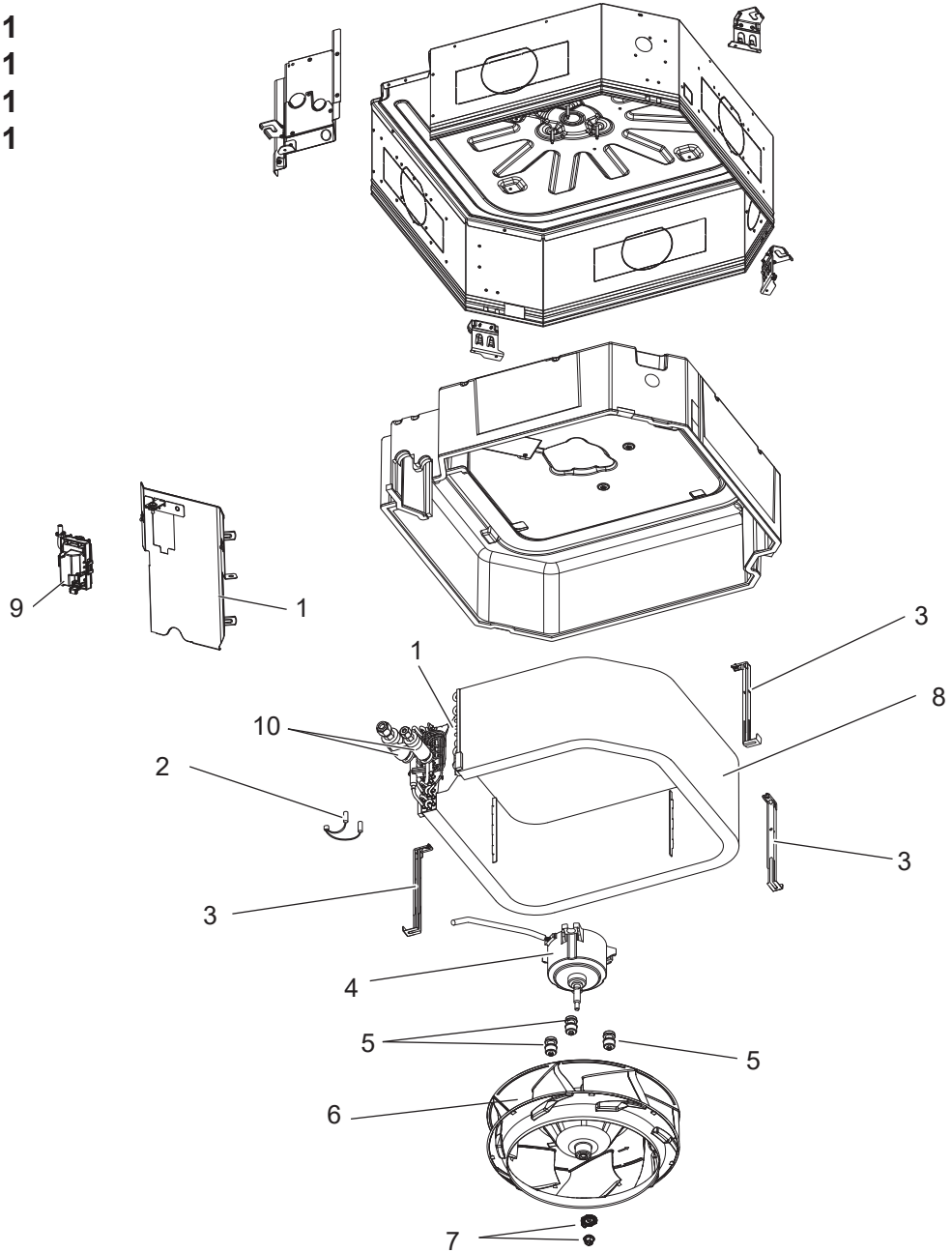
1. The part quantity below indicates the required number of pieces per unit.

2. The circled No. indicates that the part is not shown in the figure.

No.	Parts No.	Parts Name	PLP-41EAEU	Wiring Diagram Symbol	Remarks [Drawing No.]
1	E27 F85 003	AIR OUTLET GRILLE	1		Panel color: Munsell 1.0Y 9.2/0.2
2	E27 F85 037	AUTO VANE & VANE BUSH	4		Panel color: Munsell 1.0Y 9.2/0.2
3	E27 F86 975	CORNER PANEL (i-see Sensor)	1		Panel color: Munsell 1.0Y 9.2/0.2
4	E27 F85 975	CORNER PANEL	3		Panel color: Munsell 1.0Y 9.2/0.2
5	E27 F85 100	AIR FILTER	1		
6	E27 F85 010	INTAKE GRILLE	1		Panel color: Munsell 1.0Y 9.2/0.2
7	E27 103 303	VANE MOTOR	4	MV	
8	E27 F85 031	GEAR (VANE & S/M)	4		

STRUCTURAL AND FUNCTIONAL PARTS

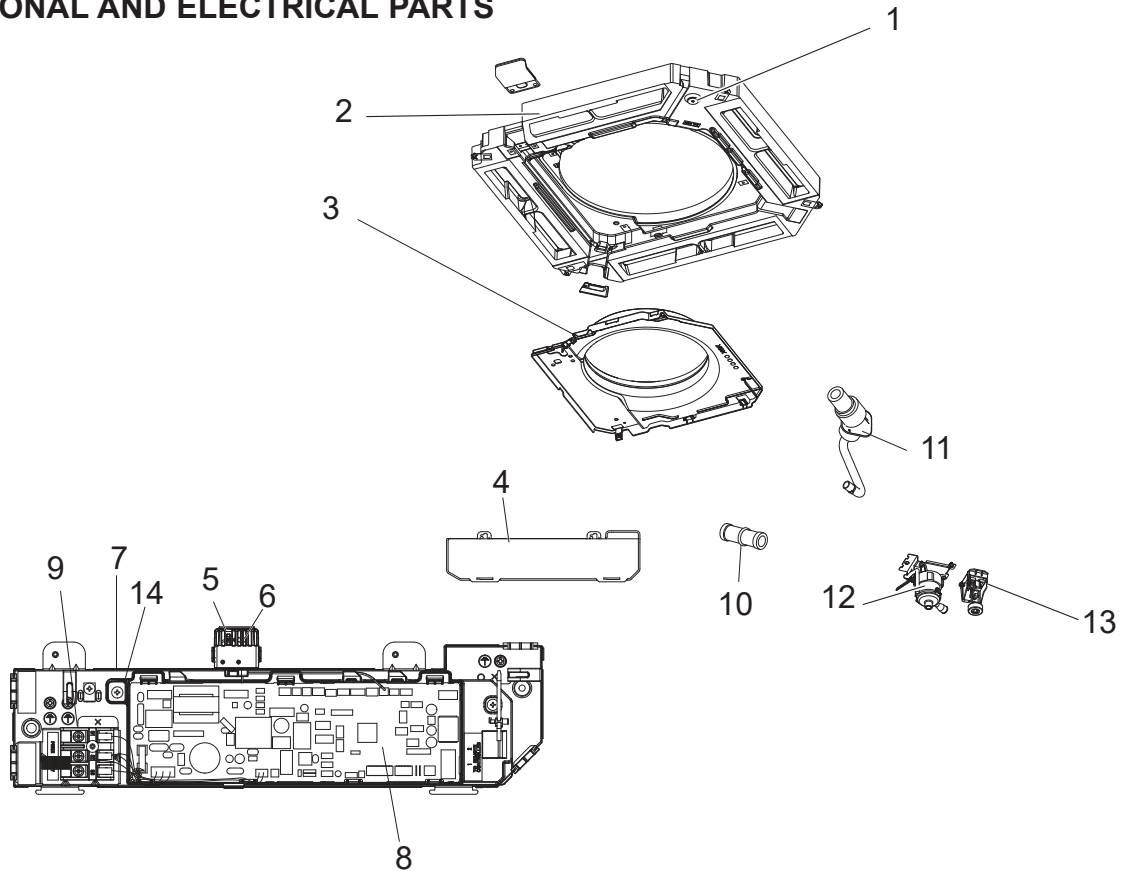
PLA-AE12NL-U1
PLA-AE18NL-U1
PLA-AE24NL-U1
PLA-AE30NL-U1
PLA-AE36NL-U1
PLA-AE42NL-U1
PLA-AE48NL-U1



1. The part quantity below indicates the required number of pieces per unit.
2. The circled No. indicates that the part is not shown in the figure.

No.	Parts No.	Parts Name	PLA-AE12NL-U1	PLA-AE18NL-U1	PLA-AE24NL-U1	PLA-AE30NL-U1	PLA-AE36NL-U1	PLA-AE42NL-U1	PLA-AE48NL-U1	Wiring Diagram Symbol	Remarks
1	E27 36W 711	COIL PLATE	1	1							
1	E27 42W 711	COIL PLATE			1	1	1	1	1		
2	E27 K15 307	INDOOR COIL THERMISTOR	1	1	1	1	1	1	1	TH2, TH5	
3	E27 K16 648	COIL SUPPORT	1	1							
3	E27 K18 648	COIL SUPPORT			3	3	3	3	3		
4	E27 14B 300	INDOOR FAN MOTOR	1	1						MF	
4	E27 18B 300	INDOOR FAN MOTOR			1	1	1	1	1	MF	
5	E27 C12 105	MOTOR MOUNT	3	3	3	3	3	3	3	3Pcs./Set	
6	E27 K15 502	TURBO FAN	1	1	1	1	1	1	1		
7	E27 K05 097	SPL WASHER&NUT	1	1	1	1	1	1	1		
8	E27 1C4 620	INDOOR HEAT EXCHANGER	1	1							
8	E27 1C6 620	INDOOR HEAT EXCHANGER			1	1	1	1	1		
9	E27 1C4 391	R454B SENSOR	1	1	1	1	1	1	1		
10	E27 L09 910	PIPE COVERS	1	1	1	1	1	1	1		
⑪	E27 L09 097	WASHERS	4	4	4	4	4	4	4		4+4 Pcs./Set

FUNCTIONAL AND ELECTRICAL PARTS



1. The part quantity below indicates the required number of pieces per unit.
2. The circled No. indicates that the part is not shown in the figure.

No.	Parts No.	Parts Name	PLA-AE12NL-U1	PLA-AE18NL-U1	PLA-AE24NL-U1	PLA-AE30NL-U1	PLA-AE36NL-U1	PLA-AE42NL-U1	PLA-AE48NL-U1	Wiring Diagram Symbol	Remarks
			1	1	1	1	1	1	1		
1	E27 436 524	DRAIN PLUG	1	1	1	1	1	1	1		
2	E27 K15 700	DRAIN PAN	1	1	1	1	1	1	1		
3	E27 1C4 509	BELL MOUTH	1	1							
3	E27 1C6 509	BELL MOUTH			1						
3	E27 1C7 509	BELL MOUTH				1	1				
3	E27 1C9 509	BELL MOUTH						1			
3	E27 1D0 509	BELL MOUTH							1		
4	E27 K17 449	CONTROLLER COVER	1	1	1	1	1	1	1		
5	E27 11Y 241	SENSOR HOLDER	1	1	1	1	1	1	1		
6	E27 K15 308	ROOM TEMP. THERMISTOR	1	1	1	1	1	1	1	TH1	
7	E27 77H 777	ELECTRICAL CONTROL BOX	1	1	1	1	1	1	1		
8	E27 1C4 447	INDOOR CONTROLLER BOARD	1	1	1	1	1	1	1	I.B	
9	E27 83H 375	TERMINAL BLOCK	1	1	1	1	1	1	1	TB4	
10	E27 580 704	DRAIN SOCKET	1	1	1	1	1	1	1		
11	E27 K15 702	DRAIN HOSE	1	1	1	1	1	1	1		
12	E27 02W 355	DRAIN PUMP	1	1	1	1	1	1	1	DP	
13	E27 K15 145	FLOAT SWITCH ASSY	1	1	1	1	1	1	1	FS	
14	E27 1C4 289	BOARD CASE	1	1	1	1	1	1	1		

Parts name	Parts No.
SPACE PANEL	PAC-SJ65AS-E
AIR OUTLET SHUTTER PLATE	PAC-SJ37SP-E
WIRED REMOTE CONTROLLER (MA REMOTE CONTROLLER)	PAR-42MAAUB
WIRED REMOTE CONTROLLER (SIMPLE MA REMOTE CONTROLLER)	PAC-YT53CRAU
WIRELESS REMOTE CONTROLLER	PAR-SL101A-E
WIRELESS SIGNAL RECEIVER (CORNER PANEL)	PAR-SR4LU-E
HIGH EFFICIENCY FILTER (PAC-SH53TM-E is required in using this optional part.)	PAC-SH59KF-E
MULTI-FUNCTIONAL CASEMENT	PAC-SJ41TM-E
FLANGE FOR FRESH AIR INTAKE	PAC-SH65OF-E
GRILLE (3D i-see Sensor panel) [Panel color: Munsell 1.0Y 9.2/0.2]	PLP-41EAEU
ALARM KIT	PAC-SL54AL-E
3D TOTAL FLOW	PLP-U160ELR-E

MITSUBISHI ELECTRIC CORPORATION

HEAD OFFICE: TOKYO BUILDING, 2-7-3, MARUNOUCHI, CHIYODA-KU, TOKYO 100-8310, JAPAN