

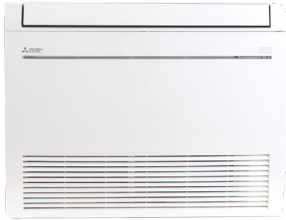
# MFZ-KJ09NA 9,000 BTU/H FLOOR-MOUNTED INDOOR UNIT



Job Name:

System Reference:

Date:



### GENERAL FEATURES

- Floor-mounted indoor unit mounts on the floor or up to 5" above the floor
- Floor front panel access to the filter for ease of cleaning
- Perfect for difficult areas that may be smaller or don't have usable space on the walls
- Multiple fan speed options: Low, Medium, High, Powerful, Auto
- Quiet operation
- Multi-flow vane for faster heating
- Multiple control options available:
  - Hand-held Remote Controller (provided with unit)
  - kumo cloud<sup>®</sup> smart device app for remote access
  - Third-party interface options
  - Wired or wireless controllers
- Unit can be recessed mounted into wall

Specifications		System	
Unit Type		MFZ-KJ09NA	
Cooling Capacity <sup>1,3</sup>	BTU/H	9,000	
Heating Capacity <sup>2,3</sup>	BTU/H	11,000	
Electrical	Voltage, Phase, Frequency	208/230, 1, 60	
	Guaranteed Voltage Range	V AC	187- 253V
	Voltage: Indoor - Outdoor, S1-S2	V AC	208/230
	Voltage: Indoor - Outdoor, S2-S3	V DC	24
	Short-circuit Current Rating [SCCR]	kA	5
Indoor Unit	MCA	A	1.0
	Fan Motor Full Load Amperage	A	0.62
	Airflow Rate at Cooling, Dry	CFM	275–219–208–173–138
	Airflow Rate at Cooling, Wet	CFM	234–213–177–147–117
	Airflow Rate at Heating, Dry	CFM	343–219–180–159–138
	Sound Pressure Level [Cooling]	dB[A]	38–34–30–25–21
	Sound Pressure Level [Heating]	dB[A]	41–32–27–24–21
	Drain Pipe Size	In. [mm]	5/8 O.D [15]
	Coating on Heat Exchanger	—	
	External Finish Color	Munsell 1.0Y 9.2/0.2	
	Unit Dimensions	W x D x H: In. [mm]	29-17/32 x 8-15/32 x 23-5/8 [750 x 215 x 600]
	Package Dimensions	W x D x H: In. [mm]	32-2/16 x 10-3/16 x 27-2/16 [816 x 275 x 693]
	Unit Weight	Lbs. [kg]	33 [15.0]
Package Weight	Lbs. [kg]	41 [18.5]	
Refrigerant	Type	R410A	
Piping	Gas Pipe Size O.D. [Flared]	In.[mm]	3/8 [9.52]
	Liquid Pipe Size O.D. [Flared]	In.[mm]	1/4 [6.35]

**NOTES:**

Conditions

<sup>1</sup>Cooling (Indoor // Outdoor)

<sup>°F</sup> 80 DB, 67 WB // 95 DB, 75 WB

<sup>2</sup>Heating at 47°F (Indoor // Outdoor)

<sup>°F</sup> 70 DB, 60 WB // 47 DB, 43 WB

<sup>3</sup>Capacity varies based on the number of indoor units operating and the model of the Multi-zone Outdoor Unit. For reference to connected capacity charts, please refer Multi-zone Outdoor Unit Operational Performance.:

## INDOOR UNIT ACCESSORIES: MFZ-KJ09NA

Control Interface	BACnet® and Modbus® Interface	PAC-UKPRC001-CN-1
	CN24 Relay Kit	CN24RELAY-KIT-CM3
	IT Extender	PAC-WHS01IE-E
	kumo station® for kumo cloud®	PAC-WHS01HC-E
	Lockdown bracket for remote controller	RCMKP1CB
	System Control Interface	MAC-334IF-E
	Thermostat Interface	PAC-US444CN-1
	Thermostat Interface	PAC-US445CN-1
	USNAP Adapter	PAC-WHS01UP-E
	Wireless Interface for kumo cloud®	PAC-USWHS002-WF-2
Remote Sensor	Wired Remote Sensor	M21EAA307
	Wireless temperature and humidity sensor for kumo cloud®	PAC-USWHS003-TH-1
Wired Remote Controller	Deluxe Wired MA Remote Controller†	PAR-40MAAU
	Simple MA Remote Controller†	PAC-YT53CRAU-J
	Touch MA Controller†	PAR-CT01MAU-SB
Wireless Remote Controller	kumo touch™ RedLINK™ Wireless Controller	MHK2
Condensate	Blue Diamond (Advanced) Mini Condensate Pump w/ Reservoir & Sensor (208/230V) [recommended]	X87-721
	Blue Diamond (MicroBlue) Mini Condensate Pump (110/208/230V) up to 18,000 BTU/H	X86-003
	Blue Diamond Alarm Extension Cable — 6.5 Ft.	C13-192
	Blue Diamond MultiTank — collection tank for use with multiple pumps	C21-014
	Blue Diamond Sensor Extension Cable — 15 Ft.	C13-103
	Refco Condensate Pump (100-240 VAC) up to 120,000 BTU/H	COMBI
	Sauermann Condensate Pump	SI30-230
Disconnect Switch	(30A/600V/UL) [fits 2" X 4" utility box] - Black	TAZ-MS303
	(30A/600V/UL) [fits 2" X 4" utility box] - White	TAZ-MS303W
Drain Hose	Flexible Mini-Split Drain Hose	DRX-16
Filter	Anti-allergy Enzyme Filter	MAC-408FT-E
Floor Mount Air Guide	Floor Mount Air Guide	MAC-760FD-E
Lineset	15' x 1/4" x 15' / 3/8" Lineset (Twin-Tube Insulation)	MLS143812T-15
	30' x 1/4" x 30' / 3/8" Lineset (Twin-Tube Insulation)	MLS143812T-30
	50' x 1/4" x 50' / 3/8" Lineset (Twin-Tube Insulation)	MLS143812T-50
	65' x 1/4" x 65' / 3/8" Lineset (Twin-Tube Insulation)	MLS143812T-65

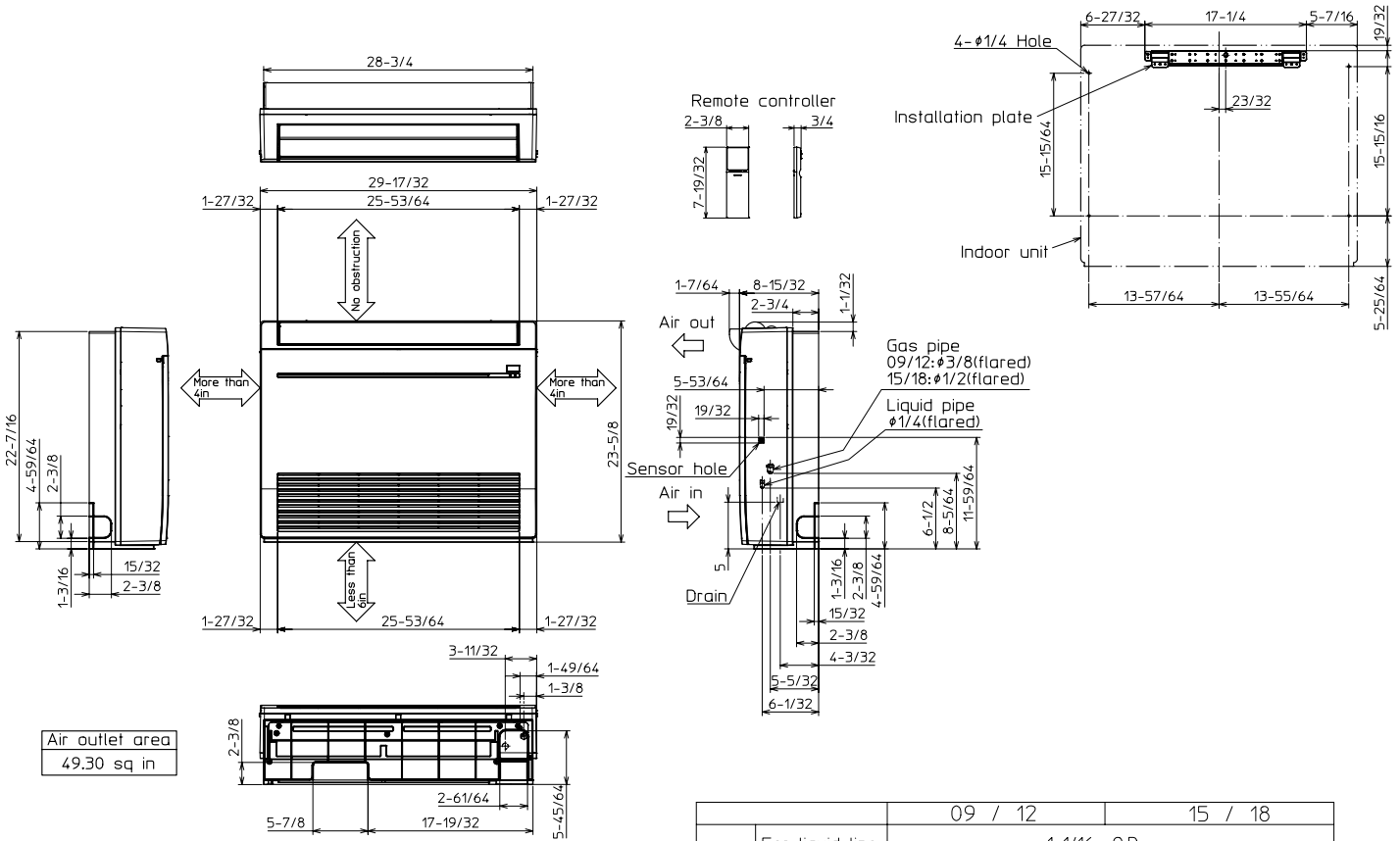
**NOTES:**

†Requires MAC-334IF-E

- M-Series EZ FIT® Recessed Ceiling Cassette, Floor-mount and Wall-mount  
Allows indoor units to connect to an MA Controller:  
Deluxe MA Remote Controller  
Simple MA Controller  
Touch MA Controller

# INDOOR UNIT DIMENSIONS: MFZ-KJ09NA

Unit: inch



FORM# MFZ-KJ09NA-U1 - 202209

1340 Satellite Boulevard Suwanee, GA 30024  
Toll Free: 800-433-4822 www.mehvac.com

