

**PAA-AA18NL**  
**18,000 BTU/H CASSED COIL INDOOR UNIT**



**Job Name:**

**System Reference:**

**Date:**



**GENERAL FEATURES**

- **Furnace Compatible:** Compatible with most gas furnaces, Intelli-HEAT® allows for Intelligent Switchover between the furnace and heat pump operation. \*Mitsubishi Electric air-conditioner and heat pump systems should only be connected with ANSI-Z21.47/CSA2.3 certified furnaces
- **Intelligent Switchover:** Intelligent Switchover from electric heat pump to gas furnace operation in extreme cold for consistent comfort. The system can also be set to switch based optimal energy efficiency and to reduce your carbon footprint.
- **High Quality Drain Pan:** High quality drain pan material with high heat tolerance and low moisture absorption
- **Multi-Position Installation:** Versatile installation options, including horizontal (left or right) and vertical (up or down) orientations, with included drain pans to facilitate easy setup for any configuration.
- **Available Widths:** Available in 14.5", 17.5", and 21" widths

SPECIFICATIONS			SYSTEM
UNIT TYPE			PAA-AA18NL
Cooling Capacity (Nominal) <sup>1,3</sup>	Cooling Capacity (Nominal)	Btu/h	18000
Heating Capacity (Nominal) <sup>2,3</sup>	Heating Capacity (Nominal)	Btu/h	19000
Electrical	Voltage, Phase, Frequency	V AC / V AC , ø , Hz	208 / 230 , 1 , 60
	Voltage: Indoor - Outdoor, S1-S2	V AC	208/230
	Voltage: Indoor - Outdoor, S2-S3	V DC	12-24
	Short-circuit Current Rating [SCCR]	kA	5
Indoor Unit	MCA	A	0.2
	MOCP	A	15
	Rated Airflow, Dry	CFM	525
	Maximum Airflow, Dry	CFM	812
	Minimum Airflow, Dry	CFM	424
	Internal Static Pressure [at Rated CFM]	in.WG	0.1
	Dual Barrier Coating on Heat Exchanger		No
	Unit Dimensions (W x D x H)	inch x inch x inch [ mm x mm x mm ]	14-1/2 x 21-7/16 x 27-1/2 [ 368 x 543 x 697 ]
	Package Dimensions (W x D x H)	inch x inch x inch [ mm x mm x mm ]	17-7/16 x 25-5/16 x 33 [ 443 x 695 x 838 ]
	Unit Weight [Cased Coil Only]	lbs [ kg ]	49.6 [ 22.5 ]
Control Box Weight	lbs [ kg ]	5.1 [ 2.3 ]	
Package Weight	lbs [ kg ]	71.7 [ 32.5 ]	
Refrigerant	Type		R454B
Piping	Liquid Pipe Size O.D.	inch [ mm ]	3/8 [ 9.52 ]
	Gas Pipe Size O.D.	inch [ mm ]	5/8 [ 15.88 ]
Indoor Unit	Drain Pipe Size O.D.	inch [ mm ]	3/4 [ 19.05 ]

**Notes**

<sup>1</sup>Cooling (Indoor // Outdoor) °F 80 DB, 67 WB // 95 DB, 75 WB - test

<sup>2</sup>Heating at 47°F (Indoor // Outdoor) °F 70 DB, 60 WB // 47 DB, 43 WB

<sup>3</sup>Airflow rate 350 CFM per rated ton of cooling at 95°F

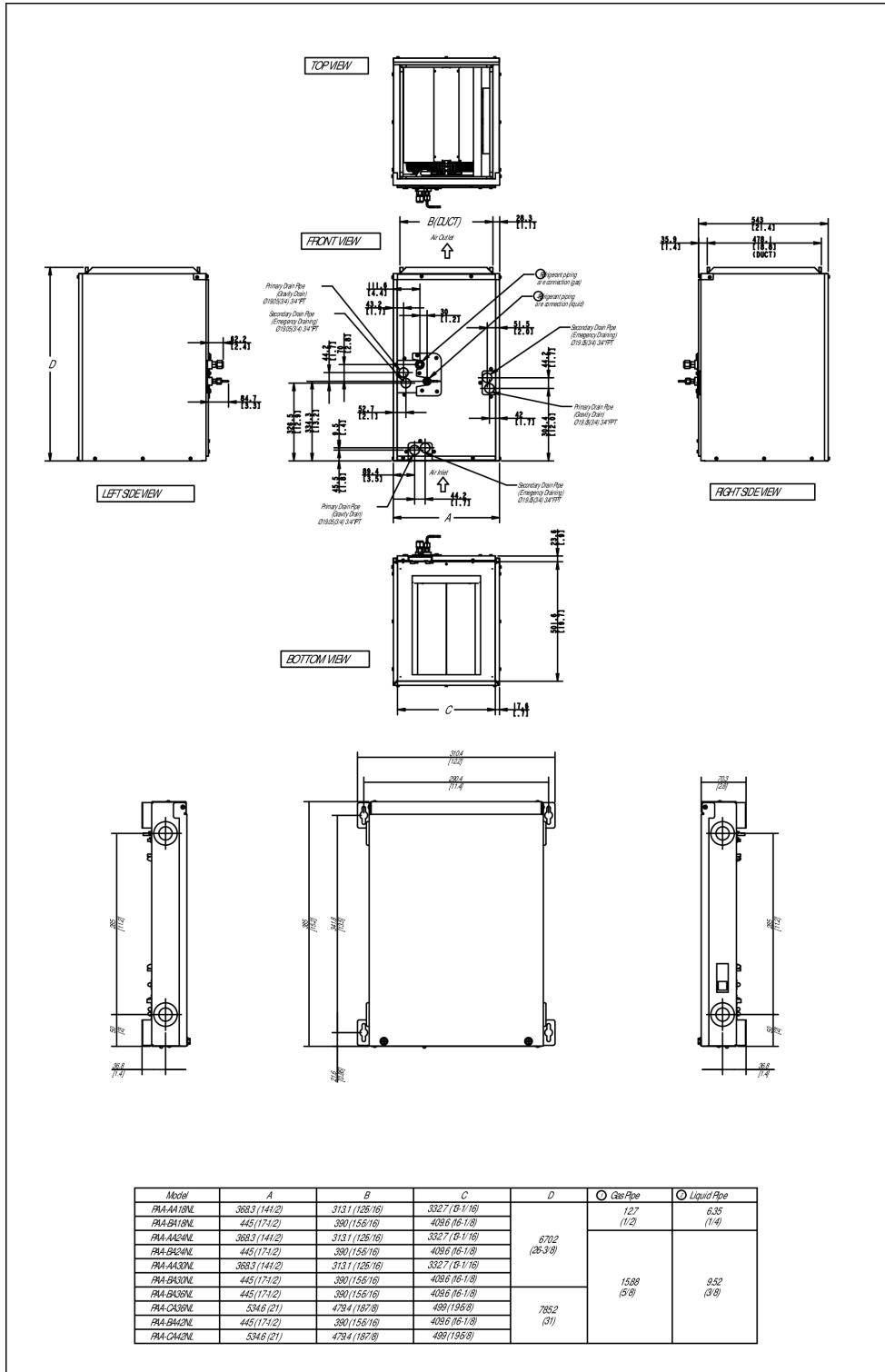
\*Internal static pressure 0.3 in. WG (According to AHRI Standard - 210/240, where this is the maximum allowable internal static pressure for "Coil Only" systems)

<sup>3</sup>Nominal capacity only. Actual capacity output varies based on the system specific configuration

## INDOOR UNIT ACCESSORIES: PAA-AA18NL

Condensate	Blue Diamond MaxiBlue Condensate Pump with Reservoir Sensor 115-230V up to 48k BTU/h	<input type="checkbox"/>	X88-721
	Sauermann Condensate Pump 120-230V up to 60k BTU/h	<input type="checkbox"/>	SI30-230
	Refco Condensate Pump 100-240V up to 120k BTU/h	<input type="checkbox"/>	COMBI
	Blue Diamond MegaBlue Condensate Pump with Reservoir Sensor 115-230V up to 170k BTU/h	<input type="checkbox"/>	X87-835
	Blue Diamond (MaxiBlue Advanced) Mini Condensate Pump w/ Reservoir & Sensor (110V) up to 48,000 BTU/H [recommended]	<input type="checkbox"/>	X87-711
	Blue Diamond Sensor Extension Cable 15 Ft	<input type="checkbox"/>	C13-103
Control Interface	Operation and Error Status Output Adapter <sup>1</sup>	<input type="checkbox"/>	PAC-SF40RM-E
	IT Extender	<input type="checkbox"/>	PAC-WHS01IE-E
	kumo station® for Comfort app	<input type="checkbox"/>	PAC-WHS01HC-E
	Thermostat Interface	<input type="checkbox"/>	PAC-US446CN-1
	Wireless Interface 2 for Comfrot app	<input type="checkbox"/>	PAC-USWHS002-WF-2
	Procon BACnet® and Modbus® Interface	<input type="checkbox"/>	PAC-UKPRC001-CN-1
Disconnect Switch	(30A/600V/UL) [fits 2" X 4" utility box] - White	<input type="checkbox"/>	TAZ-MS303W
	30A600VUL fits 2 X 4 utility box - Black	<input type="checkbox"/>	TAZ-MS303
Lineset	3/8 x 5/8 Lineset Twin-Tube Insulation - 30 feet	<input type="checkbox"/>	MPLS385812T-30
	1/4 x 1/2 Lineset Twin-Tube Insulation - 30 feet	<input type="checkbox"/>	MLS141212T-30
	3/8 x 5/8 Lineset Twin-Tube Insulation - 15 feet	<input type="checkbox"/>	MPLS385812T-15
	3/8 x 5/8 Lineset Twin-Tube Insulation - 10 feet	<input type="checkbox"/>	MPLS385812T-10
	3/8 x 5/8 Lineset Twin-Tube Insulation - 65 feet	<input type="checkbox"/>	MPLS385812T-65
	3/8 x 5/8 Lineset Twin-Tube Insulation - 100 feet	<input type="checkbox"/>	MPLS385812T-100
	3/8 x 5/8 Lineset Twin-Tube Insulation - 50 feet	<input type="checkbox"/>	MPLS385812T-50
	1/4 x 1/2 Lineset Twin-Tube Insulation - 65 feet	<input type="checkbox"/>	MLS141212T-65
	1/4 x 1/2 Lineset Twin-Tube Insulation - 100 feet	<input type="checkbox"/>	MLS141212T-100
	1/4 x 1/2 Lineset Twin-Tube Insulation - 50 feet	<input type="checkbox"/>	MLS141212T-50
	1/4 x 1/2 Lineset Twin-Tube Insulation - 15 feet	<input type="checkbox"/>	MLS141212T-15
	N/A		<input type="checkbox"/>
Port Adaptor	Adaptor 1/2 x 5/8	<input checked="" type="checkbox"/>	PAC-SK89RJ-E
	Adaptor 1/4 x 3/8	<input checked="" type="checkbox"/>	PAC-SJ87RJ-E
Power Supplies & Auxiliary Components	ERV On/Off Input Adapter for CNER on SVZ PEAD and PVA models	<input type="checkbox"/>	PAC-740
Remote Sensor	Flush Mount Remote Temperature Sensor for SEZ SLZ SVZ and all P-Series models	<input type="checkbox"/>	PAC-USSEN002-FM-1
	Wall Mounted Remote Temperature Sensor	<input type="checkbox"/>	PAC-SE41TS-E
	Wireless temperature and humidity sensor for Comfort app	<input type="checkbox"/>	PAC-USWHS003-TH-1
Terminal Signal Adapter	3-Pin Wiring Harness	<input type="checkbox"/>	PAC-715AD
	5-Pin Wiring Harness	<input type="checkbox"/>	PAC-725AD
	Backup Heat Relay Kit	<input type="checkbox"/>	CN24RELAY-KIT-CM3
Wired Remote Controller	Deluxe MA Wired Remote Controller	<input type="checkbox"/>	PAR-42MAAUB
	Simple MA Remote Controller	<input type="checkbox"/>	PAC-YT53CRAU-J
	Simple Direct Wired Remote Controller	<input type="checkbox"/>	PAC-SDW01RC-1
	Touch MA Remote Controller	<input type="checkbox"/>	PAR-CT01MAU-SB
Wireless Remote Controller	Lockdown Bracket for Wireless Handheld Remote Controllers	<input type="checkbox"/>	RCMKP1CB
	Wireless Remote Controller	<input type="checkbox"/>	PAR-SL101A-E
	Universal Wireless Receiver for PAR-FL32MA-E	<input type="checkbox"/>	PAR-FA32MA-E
	Wireless RedLINK™ Remote Controller	<input type="checkbox"/>	MHK2
	Universal Wireless Receiver for PAR-FL32MA-E	<input type="checkbox"/>	PAR-FA32MA-W
<b>Notes</b>			

# INDOOR UNIT DIMENSIONS: PAA-AA18NL



1340 Satellite Boulevard Suwanee, GA 30024  
Toll Free: 800-433-4822 · mitsubishicomfort.com