

MLZ-KX12NL & SUZ-AA12NLHZ  
12,000 BTU/H CEILING-MOUNTED INDOOR UNIT  
12,000 BTU/H HYPER HEAT PUMP OUTDOOR UNIT



Job Name:

System Reference:

Date:



Indoor Unit.....MLZ-KX12NL

Outdoor Unit.....SUZ-AA12NLHZ



#### INDOOR UNIT FEATURES

- Adjustable fan speeds and vane directions
- Auto Vane Control: Outlet vanes can be moved left and right, and up and down using the remote controller. This improved air flow control feature solves the problem of drafts
- Built-in condensate lift mechanism (19.6"): Reduces the need for an additional pump to remove condensate water
- Econo Cool: Econo Cool temporarily and automatically adjusts the airflow based on heat exchanger temperature. The set temperature is increased slightly, which saves energy, while maintaining comfort.
- Fits between 16" joists spacing
- Multiple control options including: Hand-held Remote Controller (provided with unit), comfort app, third-party interfaces and both wired and wireless controllers
- Serviceable from the bottom (electrical and flare connections)
- Stylish, square design panel
- Washable antibacterial and deodorizing filter
- Weekly Timer Function: Easily set desired temperatures and operation ON/OFF times to match lifestyle patterns. Reduce wasted energy consumption by using the timer to prevent forgetting to turn off the unit and eliminate temperature setting adjustments.
- Wi-Fi enabled units pair with the Comfort app for complete control over temperature, fan speeds, modes, schedules, and more.

#### OUTDOOR UNIT FEATURES

- Blue Fin Coating: An anti-corrosion treatment applied to the aluminum fins of the heat exchanger of the outdoor unit to protect against corrosion caused by salt, sulfur, and other airborne contaminants, especially in coastal and industrial areas.
- Built-in base pan heater
- Hot-Start Technology: Hot-Start Technology ensures the fan only activates once the heat exchanger is warm, preventing cold air blasts during start-up.
- Hyper-Heating INVERTER® (H2i®): 100% heating capacity down to 5° F with guaranteed heating down to -13° F.
- Joint Lap DC Motor: Innovative Joint Lap DC Motor leads to high efficiency and reliability
- Outdoor unit directed power: The outdoor unit powers the indoor unit, and should a power outage occur, the system is automatically restarted when power returns
- Pulse Amplitude Modulation technology: Pulse Amplitude Modulation technology enhances energy efficiency by adjusting the power supply to optimize compressor performance, ensuring precise capacity control and reduced energy consumption.
- Quiet operation: Quiet operation units are as quiet as a typical conversation, and most indoor units are whisper quiet.

## SPECIFICATIONS: MLZ-KX12NL & SUZ-AA12NLHZ

Cooling at 95F <sup>1</sup>	Maximum Capacity	Btu/h	12,000
	Rated Capacity	Btu/h	12,000
	Minimum Capacity	Btu/h	2,900
	Maximum Power Input	W	900
	Rated Power Input	W	900
	Moisture Removal	Pints/h	2.9
	Sensible Heat Factor	-	0.73
Heating at 47F <sup>2</sup>	Power Factor [208V / 230V]	%	96 / 96
	Maximum Capacity	Btu/h	18,000
	Rated Capacity	Btu/h	15,000
	Minimum Capacity	Btu/h	7,900
	Maximum Power Input	W	1,790
	Rated Power Input	W	1,330
Heating at 17F <sup>3</sup>	Power Factor [208V / 230V]	%	96 / 96
	Maximum Capacity	Btu/h	15,000
	Rated Capacity	Btu/h	9,500
	Maximum Power Input	W	1,950
Heating at 5F <sup>4</sup>	Rated Power Input	W	1,140
	Maximum Capacity	Btu/h	15,000
Heating at -13F <sup>5</sup>	Maximum Power Input	W	2,198
	Maximum Capacity	Btu/h	9,000
Efficiency	SEER2		16.7
	EER2 <sup>1</sup>		13.3
	HSPF2 [IV]		9.6
	COP at 47°F <sup>2</sup>		3.3
	COP at 17°F at Maximum Capacity <sup>3</sup>		2.2
	COP at 5°F at Maximum Capacity <sup>4</sup>		2
	COP at -13°F at Maximum Capacity <sup>5</sup>		1.42
Electrical	ENERGY STAR <sup>®</sup> Certified		Yes
	Voltage, Phase, Frequency	V AC / V AC, , Hz	208 / 230, 1, 60
	Guaranteed Voltage Range	V AC	198 - 253
	Voltage: Indoor - Outdoor, S1-S2	V AC	208/230
	Voltage: Indoor - Outdoor, S2-S3	V DC	12-24
	Short-circuit Current Rating [SCCR]	kA	5
	Recommended Fuse/Breaker Size (Outdoor)	A	30
Indoor Unit	Recommended Wire Size [Indoor - Outdoor]	AWG	14
	MCA	A	1
	Fan Motor Output	W	30
	Airflow Rate at Cooling, Dry	CFM	212, 258, 297, 332
	Airflow Rate at Heating, Dry	CFM	212, 272, 311, 350
	Sound Pressure Level [Cooling]	dB (A)	27, 32, 36, 40
	Sound Pressure Level [Heating]	dB (A)	26, 32, 36, 40
	Drain Pipe Size O.D.	inch [mm]	1-1/16 [26]
	Unit Dimensions (W x D x H)	inch x inch x inch [mm x mm x mm]	43-3/8 x 14-3/16 x 7-5/16 [1,102 x 360 x 185]
	Package Dimensions (W x D x H)	inch x inch x inch [mm x mm x mm]	46-3/8 x 11-3/16 x 15-3/4 [1,177 x 284 x 400]
	Unit Weight	lbs [kg]	34 [15.50]
	Package Weight	lbs [kg]	42 [19]
	Fan Motor Type		DC Motor

**NOTES**

<sup>1</sup>Cooling at 95°F (Indoor: 80°F DB, 67°F WB // Outdoor: 95°F DB, 75°F WB)

<sup>2</sup>Heating at 47°F (Indoor: 70°F DB, 60°F WB // Outdoor: 47°F DB, 43°F WB)

<sup>3</sup>Heating at 17°F (Indoor: 70°F DB, 60°F WB // Outdoor: 17°F DB, 15°F WB)

<sup>4</sup>Heating at 5°F (Indoor: 70°F DB, 60°F WB // Outdoor: 5°F DB, 4°F WB)

<sup>5</sup>Heating at -13°F (Indoor: 70°F DB, 60°F WB // Outdoor: -13°F DB, -14°F WB)

\* Indoor/Outdoor Unit Operating Temperature Range (Cooling Air Temp [Maximum / Minimum]):

• Applications should be restricted to comfort cooling only; equipment cooling applications are not recommended for low ambient temperature conditions.

\*\* Outdoor Unit Operating Temperature Range (Cooling Thermal Lock-out / Re-start Temperatures; Heating Thermal Lock-out / Re-start Temperatures):

• System cuts out in heating mode and automatically restarts at these temperatures.

## SPECIFICATIONS: MLZ-KX12NL & SUZ-AA12NLHZ

Outdoor Unit	MCA	A	25
	MOCP	A	42
	Fan Motor Output	W	50
	Airflow Rate Cooling	CFM	2,193
	Airflow Rate Heating	CFM	1,949
	Defrost Method		Reverse Cycle
	Coating on Heat Exchanger (Bluefin, Sea Coast)		Yes, Yes
	Sound Pressure Level, Cooling <sup>1</sup>	dB (A)	54
	Sound Pressure Level, Heating <sup>2</sup>	dB (A)	55
	Compressor Type		Twin Rotary
	Compressor Model		SRB172FQHMT
	Compressor Oil [Type // Charge]	Type // oz	RM68EH // 14.54
	External Finish Color		Munsell No.3Y 7.8/1.1
	Base Pan Heater		Built-in
	Unit Dimensions (W x D x H)	inch x inch x inch [mm x mm x mm]	33-1/16 x 13 x 34-5/8 [840 x 330 x 880]
	Package Dimensions (W x D x H)	inch x inch x inch [mm x mm x mm]	38-5/8 x 16-9/16 x 39 [980 x 420 x 990]
	Unit Weight	lbs [kg]	115 [52.16]
	Package Weight	lbs [kg]	133 [60.33]
ODU Operating Temp. Range	Cooling Intake Maximum Air Temp [Maximum / Minimum*]	°FDB	115 / 14
	Cooling Thermal Lock-out / Re-start Temperatures**	°FDB	-1 / 3
	Heating Air Temp [Maximum / Minimum]	°FDB, °FWB / °FDB, °FWB	75, 65 / -13, -14
	Heating Thermal Lock-out / Re-start Temperatures**	°FDB	-22.5 / -14
Refrigerant	Type		R454B
	Pre-Charged Refrigerant Amount	lbs	3
	Maximum Pre-Charged Piping Length	ft [m]	25 [7.60]
	Additional Refrigerant Charge Per Additional Piping Length	oz/ft	0.22
Piping	Gas Pipe Size O.D. [Flared]	inch [mm]	3/8 [9.52]
	Liquid Pipe Size O.D. [Flared]	inch [mm]	1/4 [6.35]
	Maximum Piping Length	ft [m]	100 [30.48]
	Maximum Height Difference	ft [m]	50 [15.24]
	Maximum Number of Bends		10
<b>NOTES</b> <sup>1</sup> Cooling at 95°F (Indoor: 80°F DB, 67°F WB // Outdoor: 95°F DB, 75°F WB) <sup>2</sup> Heating at 47°F (Indoor: 70°F DB, 60°F WB // Outdoor: 47°F DB, 43°F WB) <sup>3</sup> Heating at 17°F (Indoor: 70°F DB, 60°F WB // Outdoor: 17°F DB, 15°F WB) <sup>4</sup> Heating at 5°F (Indoor: 70°F DB, 60°F WB // Outdoor: 5°F DB, 4°F WB) <sup>5</sup> Heating at -13°F (Indoor: 70°F DB, 60°F WB // Outdoor: -13°F DB, -14°F WB) * Indoor/Outdoor Unit Operating Temperature Range (Cooling Air Temp [Maximum / Minimum]): • Applications should be restricted to comfort cooling only; equipment cooling applications are not recommended for low ambient temperature conditions. ** Outdoor Unit Operating Temperature Range (Cooling Thermal Lock-out / Re-start Temperatures; Heating Thermal Lock-out / Re-start Temperatures): • System cuts out in heating mode and automatically restarts at these temperatures.			

## INDOOR UNIT ACCESSORIES: MLZ-KX12NL

Grille	Grille (required)	MLP-449WU
Control Interface	Airzone Wired Blueface Controller Black	AZZBSBLUEZEROCN
	Airzone Wired Blueface Controller White	AZZBSBLUEZEROCB
	Airzone Wireless Lite Controller Black	AZZBSLITERN
	Airzone Wireless Lite Controller White	AZZBSLITERB
	Airzone Wireless Think Controller Black	AZZBSTHINKRN
	Airzone Wireless Think Controller White	AZZBSTHINKRB
	IT Extender for kumo station	PAC-WHS01IE-E
	kumo station for the Comfort app	PAC-WHS01HC-E
	M-Net I/O Control Interface for M-Series <sup>2</sup>	MAC-334IF-E
	Procon BACnet and Modbus Interface	PAC-UKPRC001-CN-1
	Thermostat Interface for 3rd Party Thermostats	PAC-US445CN-1
	Wireless Interface Adapter for the Comfort app	PAC-USWHS002-WF-2
Wireless Remote Controller	Lockdown Bracket for Wireless Handheld Remote Controllers	RCMKP1CB
	RedLINK Wireless Remote Controller	MHK2
Drain Hose	Flexible Mini-Split Drain Hose	DRX-16
Condensate	Blue Diamond Advanced Mini Condensate Pump w Reservoir Sensor 208230V recommended	X87-721
	Blue Diamond MaxiBlue Advanced Mini Condensate Pump w Reservoir Sensor 110V up to 48000 BTUH recommended	X87-711
	Blue Diamond MegaBlue Advanced Condensate Pump w Reservoir Sensor	X87-835
	Blue Diamond MicroBlue Mini Condensate Pump 110208230V up to 18000 BTUH	X86-003
	Blue Diamond Sensor Extension Cable 15 Ft	C13-103
	Refco Condensate Pump 100-240 VAC up to 120000 BTUH	COMBI
	Saueremann Condensate Pump	SI30-230
Wired Remote Controller	Deluxe Wired MA Remote Controller <sup>1</sup>	PAR-42MAAUB
	Simple Direct Wired Remote Controller	PAC-SDW01RC-1
	Simple MA Remote Controller <sup>1</sup>	PAC-YT53CRAU-J
	Touch MA Wired Remote Controller <sup>1</sup>	PAR-CT01MAU-SB
Remote Sensor	Remote Temperature Sensor for MFZ MLZ and MSZ models	M21EAA307
	Wireless temperature and humidity sensor for the Comfort app	PAC-USWHS003-TH-1
Disconnect Switch	30A600VUL fits 2 X 4 utility box - Black	TAZ-MS303
	30A600VUL fits 2 X 4 utility box - White	TAZ-MS303W
Filter	Anti-allergy Enzyme Filter	MAC-408FT-E
	Microparticle Filter	MAC-EMF515FT-E
Lineset	15 x 1/4 x 15 3/8 Lineset Twin-Tube Insulation	MLS143812T-15
	30 x 1/4 x 30 3/8 Lineset Twin-Tube Insulation	MLS143812T-30
	50 x 1/4 x 50 3/8 Lineset Twin-Tube Insulation	MLS143812T-50
	65 x 1/4 x 65 3/8 Lineset Twin-Tube Insulation	MLS143812T-65
Power Supplies and Auxiliary Components	Backup Heat Relay Kit Adapter for CN24 or CN152 Connector	CN24RELAY-KIT-CM3
<p><b>NOTES</b></p> <p><sup>2</sup>Allows IDU Connection to MA Controller:            Deluxe MA Remote Controller            Simple MA Controller            Touch MA Controller  <sup>1</sup>Requires MAC-334IF-E Adapter  <sup>1</sup>Requires MAC-334IF-E Adapter  <sup>1</sup>Requires MAC-334IF-E Adapter</p>		

## OUTDOOR UNIT ACCESSORIES: SUZ-AA12NLHZ

Drain Socket	Drain Socket	MAC-871DS
Stand	18 Single Fan Stand	QSMS1801M
	24 Single Fan Stand	QSMS2401M
	Condenser Wall Bracket	QSWB2000M-1
	Condenser Wall Bracket - Stainless Steel Finish	QSWBSS
	Outdoor Unit 3-14 inch Mounting Base Pair - Plastic	DSD-400P
	Outdoor Unit Stand 12 High	QSMS1201M
Control/Service Tool	M- & P-Series Maintenance Tool Cable Set	M21EC0397
	Maintenance Tool Interface	PAC-USCMS-MN-1
Mounting Pad	Condensing Unit Mounting Pad 16 x 36 x 3	ULTRILITE1
Muffler	Muffler for Connection to SLZ	MAC-001MF-E
Mini-Split Wire	14 Gauge 4 wire Armored MiniSplit Cable250 ft roll	SW144-250
	14 Gauge 4 wire Armored MiniSplit Cable50 ft roll	SW144-50
	14 Gauge 4 wire MiniSplit Cable250 ft roll	S144-250
	14 Gauge 4 wire MiniSplit Cable50 ft roll	S144-50
Snow/Rain Diverter	SnowRain Diverter	SRD-3
Port Adaptor	Adaptor 12 x 38	PAC-SK88RJ-E
Air Outlet Guide	Air Outlet Guide	MAC-886SG-E
NOTES		

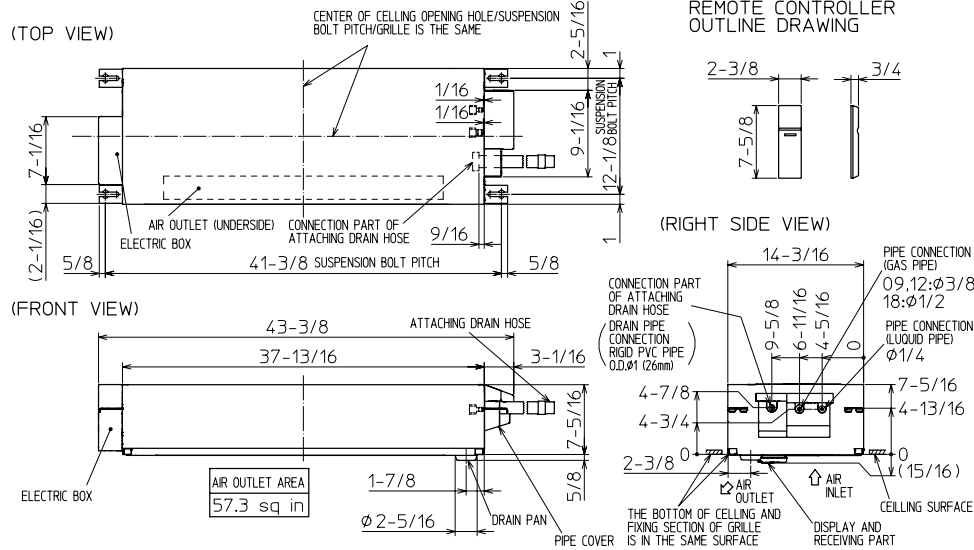
# INDOOR UNIT DIMENSIONS: MLZ-KX12NL

**MLZ-KX09NL- U1**

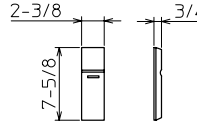
**MLZ-KX12NL- U1**

**MLZ-KX18NL- U1**

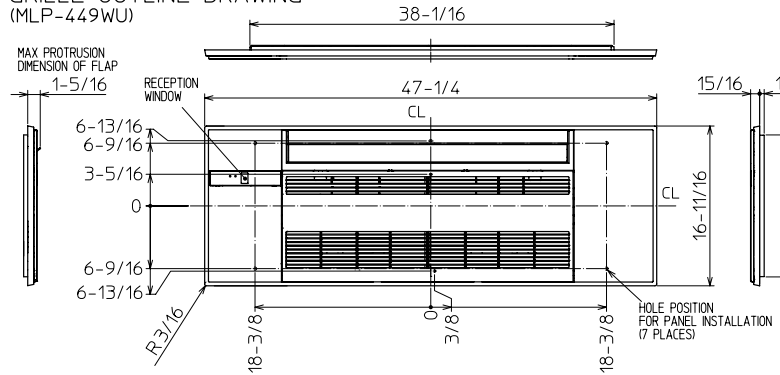
INDOOR UNIT OUTLINE DRAWING



REMOTE CONTROLLER OUTLINE DRAWING



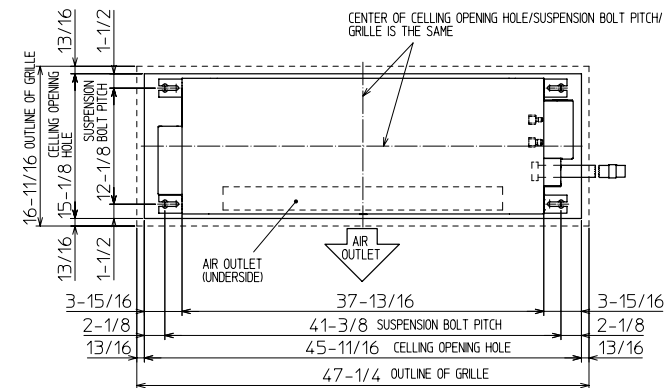
GRILLE OUTLINE DRAWING (MLP-449WU)



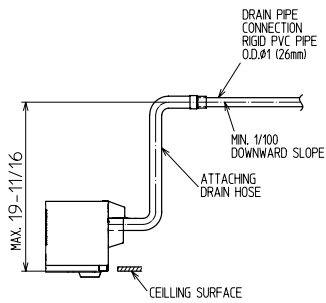
	KX09/12NL	KX18NL	
EXTENSION PIPE	LIQUID PIPE O.D.	ø1/4	
	GAS PIPE O.D.	ø3/8	
CONNECTION OF PIPE	LIQUID PIPE	FLARED CONNECTION ø1/4	
	GAS PIPE	FLARED CONNECTION ø3/8	FLARED CONNECTION ø1/2
DRAIN HOSE	HEAT INSULATOR O.D. CONNECTION I.D. EFFECTIVE LENGTH ø1-1/4 ø1 18-7/8		
DRAIN PIPE CONNECTION	RIGID PVC PIPE O.D. ø1 (26mm)		

NOTE1. CUT THE DRAIN HOSE (ACCESSORY) FOR USE, IF NECESSARY.

INDOOR UNIT DETAIL VIEW (TOP VIEW)

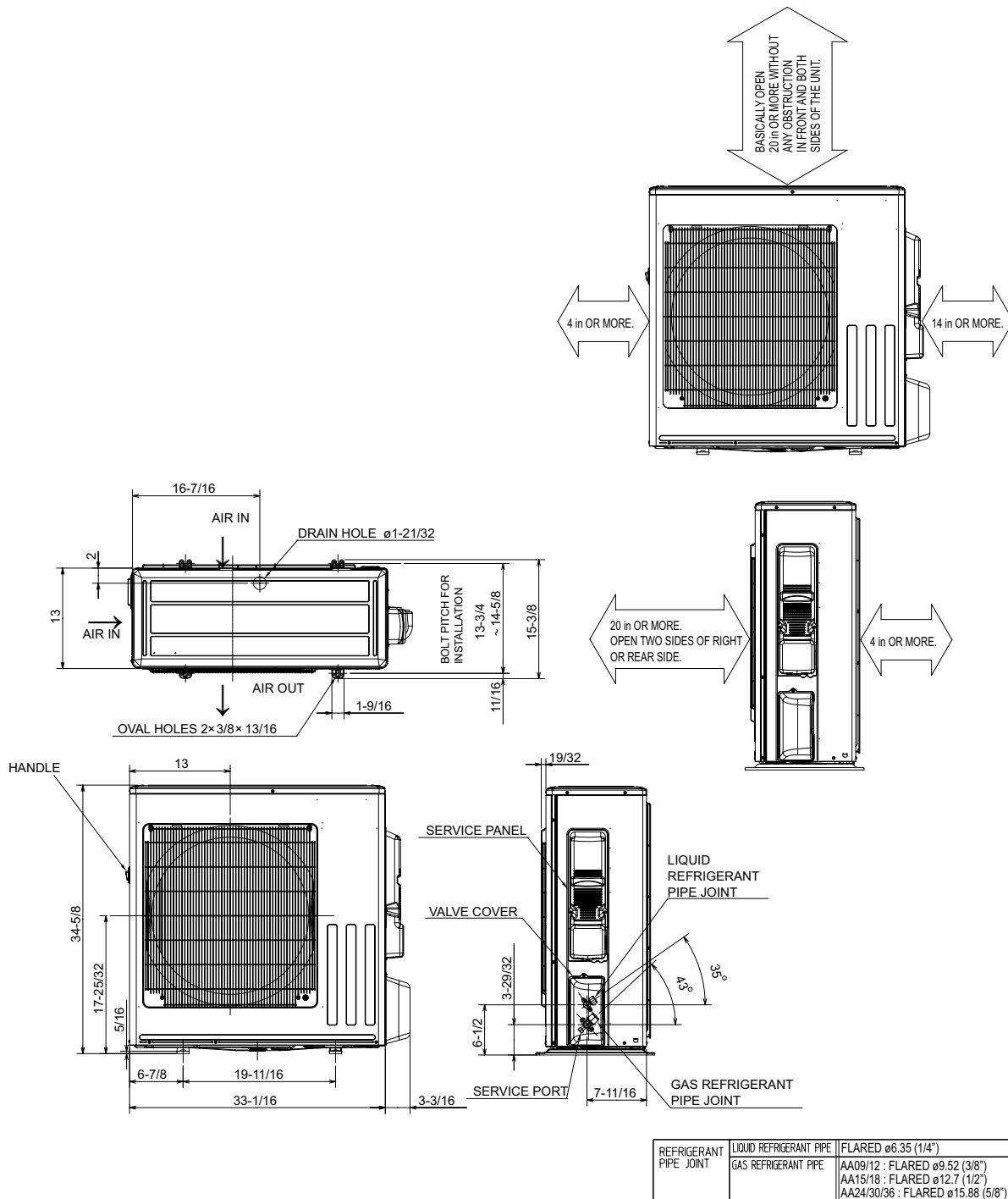


THE METHOD FOR STANDING DRAIN FROM INDOOR UNIT  
\* CUT THE DRAIN HOSE (ACCESSORY) FOR USE, IF NECESSARY.



# OUTDOOR UNIT DIMENSIONS: SUZ-AA12NLHZ

## REQUIRED SPACE



METUS\_2025-02\_PROPIN

1340 Satellite Boulevard Suwanee, GA 30024  
Toll Free: 800-433-4822 <https://mitsubishicomfort.com>

