

MLZ-KX09NL & SUZ-AA09NL
9,000 BTU/H CEILING-MOUNTED INDOOR UNIT
9,000 BTU/H HEAT PUMP OUTDOOR UNIT



Job Name:

System Reference:

Date:



Indoor Unit.....MLZ-KX09NL

Outdoor Unit.....SUZ-AA09NL



INDOOR UNIT FEATURES

- Adjustable fan speeds and vane directions
- Auto Vane Control: Outlet vanes can be moved left and right, and up and down using the remote controller. This improved air flow control feature solves the problem of drafts
- Built-in condensate lift mechanism (19.6"): Reduces the need for an additional pump to remove condensate water
- Econo Cool: Econo Cool temporarily and automatically adjusts the airflow based on heat exchanger temperature. The set temperature is increased slightly, which saves energy, while maintaining comfort.
- Fits between 16" joists spacing
- Multiple control options including: Hand-held Remote Controller (provided with unit), comfort app, third-party interfaces and both wired and wireless controllers
- Serviceable from the bottom (electrical and flare connections)
- Stylish, square design panel
- Washable antibacterial and deodorizing filter
- Weekly Timer Function: Easily set desired temperatures and operation ON/OFF times to match lifestyle patterns. Reduce wasted energy consumption by using the timer to prevent forgetting to turn off the unit and eliminate temperature setting adjustments.
- Wi-Fi enabled units pair with the Comfort app for complete control over temperature, fan speeds, modes, schedules, and more.

OUTDOOR UNIT FEATURES

- Blue Fin Coating: An anti-corrosion treatment applied to the aluminum fins of the heat exchanger of the outdoor unit to protect against corrosion caused by salt, sulfur, and other airborne contaminants, especially in coastal and industrial areas.
- High-performance grooved piping: High-performance grooved piping for increased heat exchange efficiency
- Hot-Start Technology: Hot-Start Technology ensures the fan only activates once the heat exchanger is warm, preventing cold air blasts during start-up.
- INVERTER-driven compressor: An inverter-driven compressor generates the precise capacity needed to maintain a temperature set point.
- Joint Lap DC Motor: Innovative Joint Lap DC Motor leads to high efficiency and reliability
- Outdoor unit directed power: The outdoor unit powers the indoor unit, and should a power outage occur, the system is automatically restarted when power returns
- Pulse Amplitude Modulation technology: Pulse Amplitude Modulation technology enhances energy efficiency by adjusting the power supply to optimize compressor performance, ensuring precise capacity control and reduced energy consumption.
- Quiet operation: Quiet operation units are as quiet as a typical conversation, and most indoor units are whisper quiet.
- Single-zone: One outdoor unit connects to one indoor unit to control the comfort in a single space.

SPECIFICATIONS: MLZ-KX09NL & SUZ-AA09NL

Cooling at 95F ¹	Maximum Capacity	Btu/h	9,000
	Rated Capacity	Btu/h	9,000
	Minimum Capacity	Btu/h	2,200
	Maximum Power Input	W	760
	Rated Power Input	W	760
	Moisture Removal	Pints/h	1.6
	Sensible Heat Factor	-	0.8
Heating at 47F ²	Power Factor [208V / 230V]	%	91 / 91
	Maximum Capacity	Btu/h	13,000
	Rated Capacity	Btu/h	12,000
	Minimum Capacity	Btu/h	5,000
	Maximum Power Input	W	1,050
	Rated Power Input	W	910
Heating at 17F ³	Power Factor [208V / 230V]	%	95 / 95
	Maximum Capacity	Btu/h	7,800
	Rated Capacity	Btu/h	7,800
	Maximum Power Input	W	740
Heating at 5F ⁴	Rated Power Input	W	740
	Maximum Capacity	Btu/h	6,300
Heating at -4F ⁵	Maximum Power Input	W	615
	Maximum Capacity	Btu/h	5,300
Efficiency	SEER2		20.9
	EER2 ¹		11.8
	HSPF2 [IV]		12.2
	COP at 47°F ²		3.8
	COP at 17°F at Maximum Capacity ³		3
	COP at 5°F at Maximum Capacity ⁴		3
	COP at -4°F at Maximum Capacity ⁵		2.46
Electrical	ENERGY STAR [®] Certified		Yes
	Voltage, Phase, Frequency	V AC / V AC, , Hz	208 / 230, 1, 60
	Guaranteed Voltage Range	V AC	198 - 253
	Voltage: Indoor - Outdoor, S1-S2	V AC	208/230
	Voltage: Indoor - Outdoor, S2-S3	V DC	12-24
	Short-circuit Current Rating [SCCR]	kA	5
	Recommended Fuse/Breaker Size (Outdoor)	A	15
Indoor Unit	Recommended Wire Size [Indoor - Outdoor]	AWG	14
	MCA	A	1
	Fan Motor Output	W	30
	Airflow Rate at Cooling, Dry	CFM	201, 254, 282, 311
	Airflow Rate at Heating, Dry	CFM	212, 247, 290, 325
	Sound Pressure Level [Cooling]	dB (A)	27, 31, 34, 38
	Sound Pressure Level [Heating]	dB (A)	26, 29, 34, 37
	Drain Pipe Size O.D.	inch [mm]	1-1/16 [26]
	Unit Dimensions (W x D x H)	inch x inch x inch [mm x mm x mm]	43-3/8 x 14-3/16 x 7-5/16 [1,102 x 360 x 185]
	Package Dimensions (W x D x H)	inch x inch x inch [mm x mm x mm]	46-3/8 x 11-3/16 x 15-3/4 [1,177 x 284 x 400]
	Unit Weight	lbs [kg]	34 [15.50]
	Package Weight	lbs [kg]	42 [19]
	Fan Motor Type		DC Motor

NOTES

¹Cooling at 95°F (Indoor: 80°F DB, 67°F WB // Outdoor: 95°F DB, 75°F WB)

²Heating at 47°F (Indoor: 70°F DB, 60°F WB // Outdoor: 47°F DB, 43°F WB)

³Heating at 17°F (Indoor: 70°F DB, 60°F WB // Outdoor: 17°F DB, 15°F WB)

⁴Heating at 5°F (Indoor: 70°F DB, 60°F WB // Outdoor: 5°F DB, 4°F WB)

⁵Heating at -4°F (Indoor: 70°F DB, 60°F WB // Outdoor: -4°F DB, -5°F WB)

* Indoor/Outdoor Unit Operating Temperature Range (Cooling Air Temp [Maximum / Minimum]):

• Applications should be restricted to comfort cooling only; equipment cooling applications are not recommended for low ambient temperature conditions.

** Outdoor Unit Operating Temperature Range (Cooling Thermal Lock-out / Re-start Temperatures; Heating Thermal Lock-out / Re-start Temperatures):

• System cuts out in heating mode and automatically restarts at these temperatures.

SPECIFICATIONS: MLZ-KX09NL & SUZ-AA09NL

Outdoor Unit	MCA	A	13
	MOCP	A	22
	Fan Motor Output	W	55
	Airflow Rate Cooling	CFM	1,229
	Airflow Rate Heating	CFM	1,172
	Defrost Method		Reverse Cycle
	Coating on Heat Exchanger (Bluefin, Sea Coast)		Yes, Yes
	Sound Pressure Level, Cooling ¹	dB (A)	48
	Sound Pressure Level, Heating ²	dB (A)	50
	Compressor Type		Twin Rotary
	Compressor Model		SRB092FQFMC
	Compressor Oil [Type // Charge]	Type // oz	RM68EH // 11.83
	External Finish Color		Munsell No.3Y 7.8/1.1
	Base Pan Heater		Optional
	Unit Dimensions (W x D x H)	inch x inch x inch [mm x mm x mm]	31-1/2 x 11-1/4 x 21-5/8 [800 x 285 x 550]
	Package Dimensions (W x D x H)	inch x inch x inch [mm x mm x mm]	37-1/16 x 15 x 24-13/16 [940 x 380 x 630]
	Unit Weight	lbs [kg]	81 [37]
	Package Weight	lbs [kg]	88.18 [40]
	ODU Operating Temp. Range	Cooling Intake Maximum Air Temp [Maximum / Minimum*]	°FDB
Cooling Thermal Lock-out / Re-start Temperatures**		°FDB	-1 / 3
Heating Air Temp [Maximum / Minimum]		°FDB, °FWB / °FDB, °FWB	75, 65 / -4, -5
Heating Thermal Lock-out / Re-start Temperatures**		°FDB	-14 / -4
Refrigerant	Type		R454B
	Pre-Charged Refrigerant Amount	lbs	2
	Maximum Pre-Charged Piping Length	ft [m]	65 [7.60]
	Additional Refrigerant Charge Per Additional Piping Length	oz/ft	0
Piping	Gas Pipe Size O.D. [Flared]	inch [mm]	3/8 [9.52]
	Liquid Pipe Size O.D. [Flared]	inch [mm]	1/4 [6.35]
	Maximum Piping Length	ft [m]	65 [19.80]
	Maximum Height Difference	ft [m]	40 [12.10]
	Maximum Number of Bends		10
NOTES ¹ Cooling at 95°F (Indoor: 80°F DB, 67°F WB // Outdoor: 95°F DB, 75°F WB) ² Heating at 47°F (Indoor: 70°F DB, 60°F WB // Outdoor: 47°F DB, 43°F WB) ³ Heating at 17°F (Indoor: 70°F DB, 60°F WB // Outdoor: 17°F DB, 15°F WB) ⁴ Heating at 5°F (Indoor: 70°F DB, 60°F WB // Outdoor: 5°F DB, 4°F WB) ⁵ Heating at -4°F (Indoor: 70°F DB, 60°F WB // Outdoor: -4°F DB, -5°F WB) * Indoor/Outdoor Unit Operating Temperature Range (Cooling Air Temp [Maximum / Minimum]): • Applications should be restricted to comfort cooling only; equipment cooling applications are not recommended for low ambient temperature conditions. ** Outdoor Unit Operating Temperature Range (Cooling Thermal Lock-out / Re-start Temperatures; Heating Thermal Lock-out / Re-start Temperatures): • System cuts out in heating mode and automatically restarts at these temperatures.			

INDOOR UNIT ACCESSORIES: MLZ-KX09NL

Disconnect Switch	30A600VUL fits 2 X 4 utility box - Black	TAZ-MS303
	30A600VUL fits 2 X 4 utility box - White	TAZ-MS303W
Condensate	Blue Diamond Advanced Mini Condensate Pump w Reservoir Sensor 208230V recommended	X87-721
	Blue Diamond MaxiBlue Advanced Mini Condensate Pump w Reservoir Sensor 110V up to 48000 BTUH recommended	X87-711
	Blue Diamond MegaBlue Advanced Condensate Pump w Reservoir Sensor	X87-835
	Blue Diamond MicroBlue Mini Condensate Pump 110208230V up to 18000 BTUH	X86-003
	Blue Diamond Sensor Extension Cable 15 Ft	C13-103
	Refco Condensate Pump 100-240 VAC up to 120000 BTUH	COMBI
	Saueremann Condensate Pump	SI30-230
Control Interface	Airzone Wired Blueface Controller Black	AZZBSBLUEZEROCN
	Airzone Wired Blueface Controller White	AZZBSBLUEZEROCB
	Airzone Wireless Lite Controller Black	AZZBSLITERN
	Airzone Wireless Lite Controller White	AZZBSLITERB
	Airzone Wireless Think Controller Black	AZZBSTHINKRN
	Airzone Wireless Think Controller White	AZZBSTHINKRB
	IT Extender for kumo station	PAC-WHS01IE-E
	kumo station for the Comfort app	PAC-WHS01HC-E
	M-Net I/O Control Interface for M-Series ²	MAC-334IF-E
	Procon BACnet and Modbus Interface	PAC-UKPRC001-CN-1
	Thermostat Interface for 3rd Party Thermostats	PAC-US445CN-1
Wireless Interface Adapter for the Comfort app	PAC-USWHS002-WF-2	
Lineset	15 x 1/4 x 15 3/8 Lineset Twin-Tube Insulation	MLS143812T-15
	30 x 1/4 x 30 3/8 Lineset Twin-Tube Insulation	MLS143812T-30
	50 x 1/4 x 50 3/8 Lineset Twin-Tube Insulation	MLS143812T-50
	65 x 1/4 x 65 3/8 Lineset Twin-Tube Insulation	MLS143812T-65
Remote Sensor	Remote Temperature Sensor for MFZ MLZ and MSZ models	M21EAA307
	Wireless temperature and humidity sensor for the Comfort app	PAC-USWHS003-TH-1
Wired Remote Controller	Deluxe Wired MA Remote Controller ¹	PAR-42MAAUB
	Simple Direct Wired Remote Controller	PAC-SDW01RC-1
	Simple MA Remote Controller ¹	PAC-YT53CRAU-J
	Touch MA Wired Remote Controller ¹	PAR-CT01MAU-SB
Drain Hose	Flexible Mini-Split Drain Hose	DRX-16
Filter	Anti-allergy Enzyme Filter	MAC-408FT-E
	Microparticle Filter	MAC-EMF515FT-E
Grille	Grille (required)	MLP-449WU
Power Supplies and Auxiliary Components	Backup Heat Relay Kit Adapter for CN24 or CN152 Connector	CN24RELAY-KIT-CM3
Wireless Remote Controller	Lockdown Bracket for Wireless Handheld Remote Controllers	RCMKP1CB
	RedLINK Wireless Remote Controller	MHK2
<p>NOTES</p> <p>²Allows IDU Connection to MA Controller: Deluxe MA Remote Controller Simple MA Controller Touch MA Controller ¹Requires MAC-334IF-E Adapter ¹Requires MAC-334IF-E Adapter ¹Requires MAC-334IF-E Adapter</p>		

OUTDOOR UNIT ACCESSORIES: SUZ-AA09NL

Control/Service Tool	M- & P-Series Maintenance Tool Cable Set	M21EC0397
	Maintenance Tool Interface	PAC-USCMS-MN-1
Air Outlet Guide	Air Outlet Guide	MAC-881SG-E
Optional Defrost Heater	Base Heater	MAC-640BH-U1
Stand	18 Single Fan Stand	QSMS1801M
	24 Single Fan Stand	QSMS2401M
	Condenser Wall Bracket	QSWB2000M-1
	Condenser Wall Bracket - Stainless Steel Finish	QSWBSS
	Outdoor Unit 3-14 inch Mounting Base Pair - Plastic	DSD-400P
	Outdoor Unit Stand 12 High	QSMS1201M
Mini-Split Wire	14 Gauge 4 wire Armored MiniSplit Cable250 ft roll	SW144-250
	14 Gauge 4 wire Armored MiniSplit Cable50 ft roll	SW144-50
	14 Gauge 4 wire MiniSplit Cable250 ft roll	S144-250
	14 Gauge 4 wire MiniSplit Cable50 ft roll	S144-50
Centralized Drain Pan	Centralized Drain Pan	PAC-SG63DP-E
Drain Socket	Drain Socket	MAC-871DS
Snow/Rain Diverter	SnowRain Diverter	SRD-1
Hail Guards	Hail Guard	HG-B4
Mounting Pad	Condensing Unit Mounting Pad 16 x 36 x 3	ULTRILITE1
Muffler	Muffler for Connection to SLZ	MAC-001MF-E
NOTES		

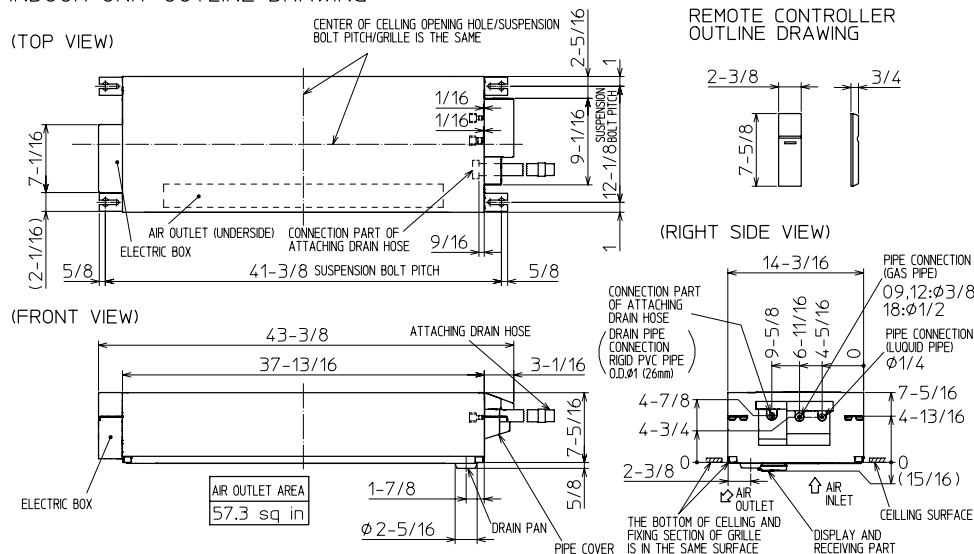
INDOOR UNIT DIMENSIONS: MLZ-KX09NL

MLZ-KX09NL- U1

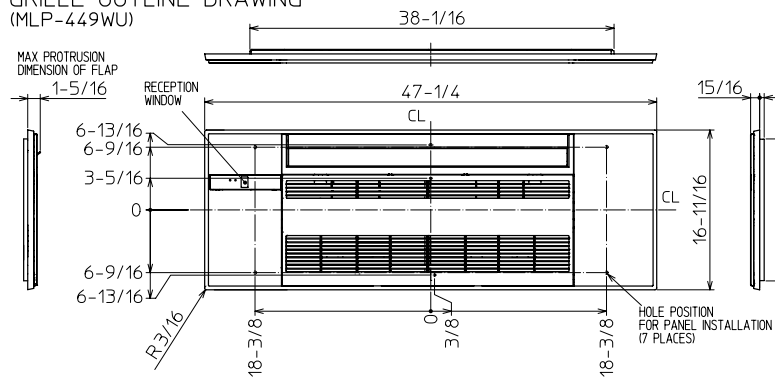
MLZ-KX12NL- U1

MLZ-KX18NL- U1

INDOOR UNIT OUTLINE DRAWING



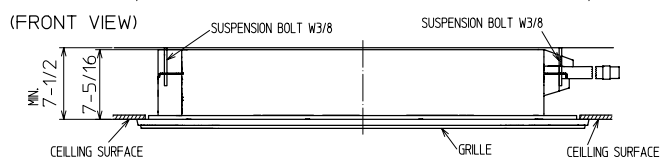
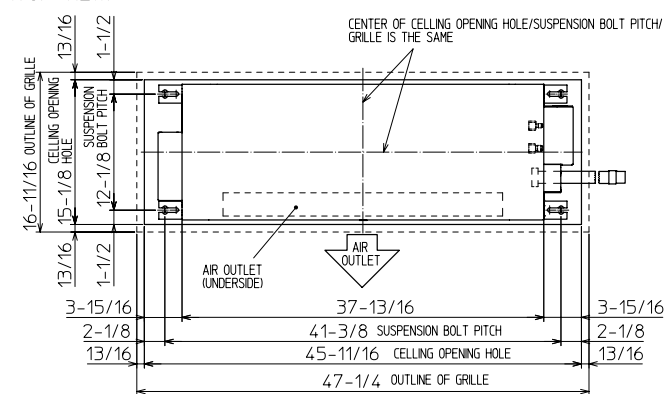
GRILLE OUTLINE DRAWING
(MLP-449WU)



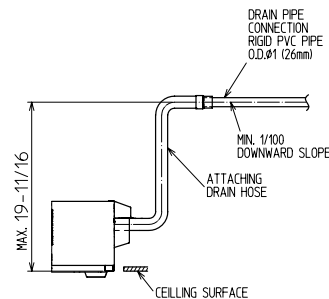
	KX09/12NL	KX18NL	
EXTENSION PIPE	LIQUID PIPE O.D.	$\phi 1/4$	
	GAS PIPE O.D.	$\phi 3/8$	$\phi 1/2$
CONNECTION OF PIPE	LIQUID PIPE	FLARED CONNECTION $\phi 1/4$	
	GAS PIPE	FLARED CONNECTION $\phi 3/8$	FLARED CONNECTION $\phi 1/2$
DRAIN HOSE	HEAT INSULATOR O.D. CONNECTION I.D. EFFECTIVE LENGTH $\phi 1-1/4$ $\phi 1$ 18-7/8		
DRAIN PIPE CONNECTION	RIGID PVC PIPE O.D. $\phi 1$ (26mm)		

NOTE1. CUT THE DRAIN HOSE (ACCESSORY) FOR USE, IF NECESSARY.

INDOOR UNIT DETAIL VIEW
(TOP VIEW)



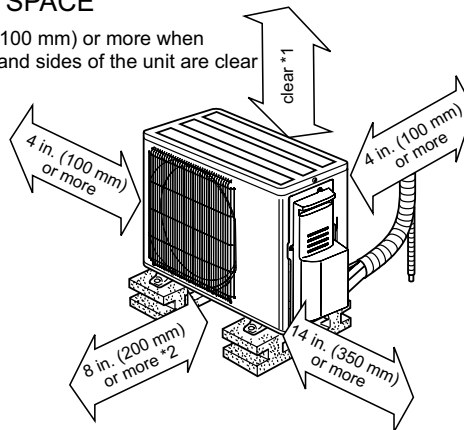
THE METHOD FOR STANDING DRAIN FROM INDOOR UNIT
※ CUT THE DRAIN HOSE (ACCESSORY) FOR USE, IF NECESSARY.



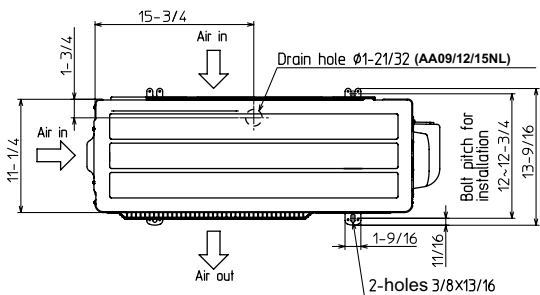
OUTDOOR UNIT DIMENSIONS: SUZ-AA09NL

REQUIRED SPACE

*1 4 in. (100 mm) or more when front and sides of the unit are clear



*2 When any 2 sides of left, right and rear of the unit are clear



Drain hole ϕ 1-5/16 (KA09/12/15NAH)

