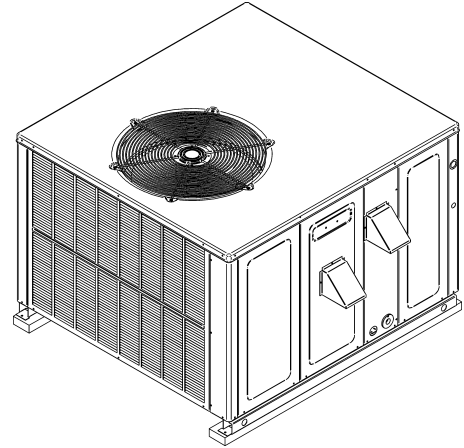


GPGM3 Residential Package Gas Unit

GPGM32404031AA
GPGM32406031AA
GPGM33004031AA
GPGM33006031AA
GPGM33604031AA
GPGM33606031AA
GPGM33608031AA
GPGM34206031AA
GPGM34208031AA
GPGM34806031AA
GPGM34808031AA
GPGM34810031AA
GPGM36008031AA
GPGM36010031AA
GPGM36012031AA



This manual is to be used by qualified technicians only.

Important Information

Index

Functional Parts List	3
Illustration and Parts	4 - 13

Views shown are for parts illustrations only, not servicing procedures.

4/1/26: added missing condenser fan motor

Text Codes:

AR - As Required

NA - Not Available

NS - Not Shown

00000000 - See Note

QTY - Quantity Example (QTY 3) (If Quantity not shown, Quantity = 1)

M - Model Example (M1) (If M Code not shown, then part is used on all Models)

Expanded Model Nomenclature:

Example M1 - Model#1 M2 - Model#2 M3 - Model#3

Goodman Manufacturing Company, L.P. is not responsible for personal injury or property damage resulting from improper service. Review all service information before beginning repairs.

Warranty service must be performed by an authorized technician, using authorized factory parts. If service is required after the warranty expires, Goodman Manufacturing Company, L.P. also recommends contacting an authorized technician and using authorized factory parts.

Goodman Manufacturing Company, L.P. reserves the right to discontinue, or change at any time, specifications or designs without notice or without incurring obligations.

For assistance within the U.S.A. contact:
Homeowner Support
Goodman Manufacturing Company, L.P.
19001 Kermier Road
Waller, Texas 77484
877-254-4729-Telephone
713-863-2382-Facsimile

For assistance outside the U.S.A. contact:
International Division
Goodman Manufacturing Company, L.P.
19001 Kermier Road
Waller, Texas 77484
713-861-2500-Telephone
713-863-2382-Facsimile

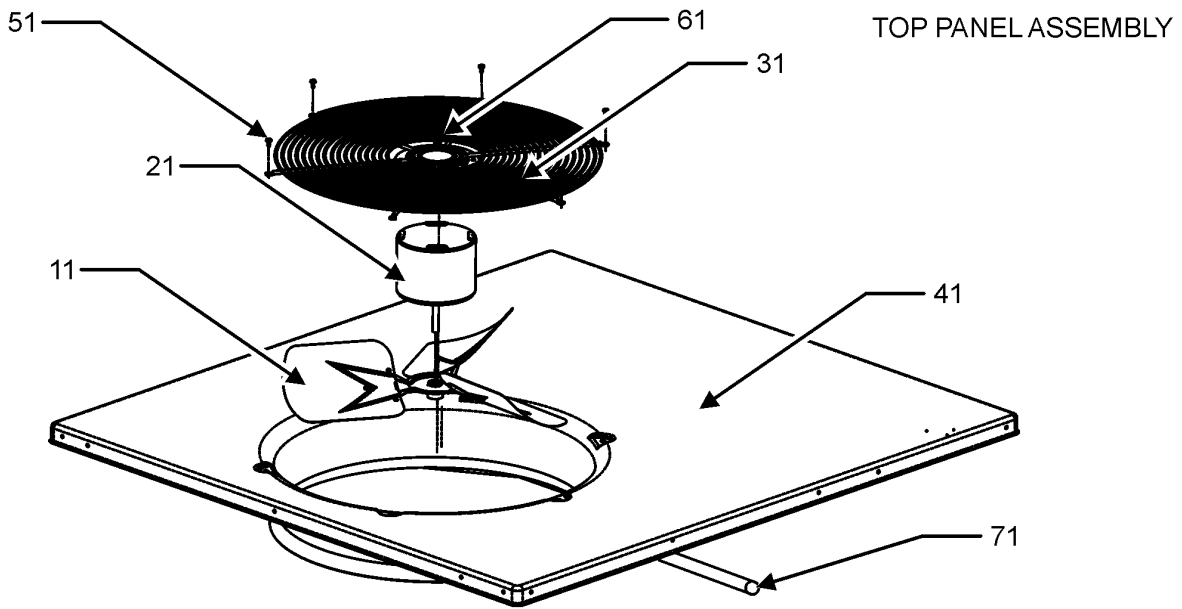
Functional Parts

Part

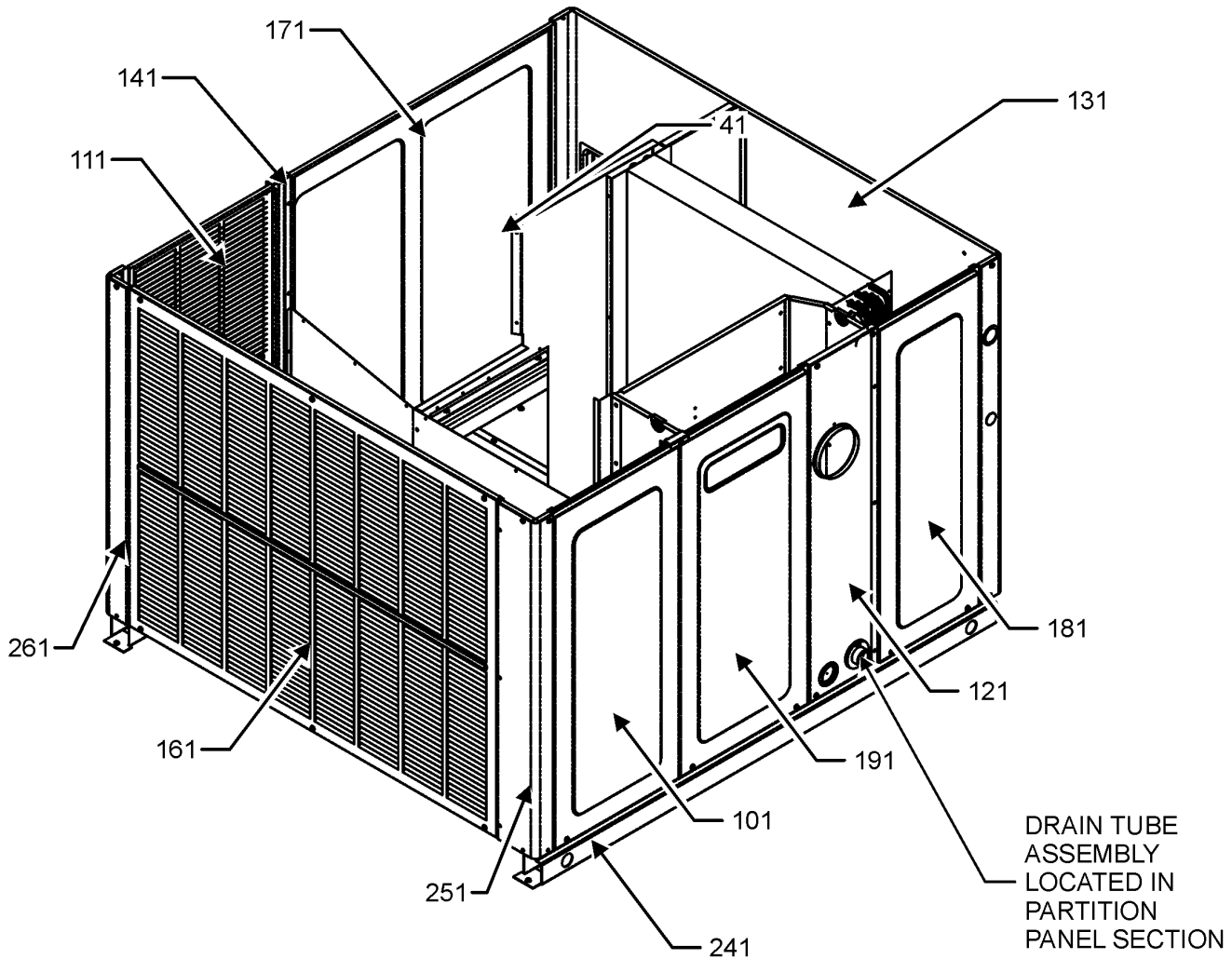
No: Description:

Part No:	Description:	Part No:	Description:
0151G00008	ADJUSTABLE VALVE TXV R32 (M13, M14, M15)	0131G00142	PROGRAMMED CONTROLLER (M5, M6, M7)
0150G00003	BLADE, FAN 26 SWEPT WING (M5, M6, M7, M8, M9, M10, M11, M12, M13, M14, M15)	0131G00145	PROGRAMMED CONTROLLER (M8, M9)
B1368000	BLOWER WHEEL (11 X 10) (M8, M9, M10, M11, M12, M13, M14, M15)	0131G00147	PROGRAMMED CONTROLLER (M10, M11, M12)
CAP100400440CT	CAP, 10/40 MFD, 440V/ DUAL RD (M13, M14, M15)	0131G00149	PROGRAMMED CONTROLLER (M13)
CAP100450440CS	CAP, 10/45 MFD/ 440V DUAL RD (M10, M11, M12)	0131G00150	PROGRAMMED CONTROLLER (M14)
CAB050300440CS	CAP, 5/30 MFD/440V RD - BPRF (M1, M2)	0131G00180	PROGRAMMED CONTROLLER (M15)
CAB050400440CT	CAP, 5/40 MFD/440V RD - BPRF (M3, M4, M5, M6, M7)	B1370751	RELAY 24V (M1, M2, M3, M4, M5, M6, M7, M8, M9, M10, M11, M12)
CAB050450440CT	CAP, 5/45 MFD/440V RD - BPRF (M8, M9)	SER2A08012	SENSATA R32 SENSOR
YP34K1TPFVASC	COMPRESSOR (M8, M9)	0130M00138	TRANSFORMER 208/230 24V
YP29K1TPFVASE	COMPRESSOR (M5, M6, M7)	B1368016	WHEEL, BLOWER, 10X8 (M1, M2, M3, M4)
YP40K1TPFVASC	COMPRESSOR (M10, M11, M12)	D6723303	WHEEL-BLOWER (M5, M6, M7)
YPS51K1TPFVASC	COMPRESSOR (M13, M14, M15)	Expanded Model Nomenclature	
YP25K1TPFVASE	COMPRESSOR (M3, M4)	M1 - GPGM32404031AA	
YP20K1TPFVASE	COMPRESSOR (M1, M2)	M2 - GPGM32406031AA	
CONT1P030024D	CONT, 1 POLE, 30 AMP, 24VAC (M1, M2, M3, M4, M5, M6, M7, M8, M9, M10, M11, M12)	M3 - GPGM33004031AA	
CONT2P040024D	CONT, 2 POLE, 40 AMP, 24VAC (M13, M14, M15)	M4 - GPGM33006031AA	
0131M00750M	CONTROLLERLESS MOTOR (M1, M2, M3, M4, M5, M6, M7)	M5 - GPGM33604031AA	
0131M00749M	CONTROLLERLESS MOTOR (M13, M14, M15)	M6 - GPGM33606031AA	
0131M00747M	CONTROLLERLESS MOTOR (M8, M9, M10, M11, M12)	M7 - GPGM33608031AA	
0150G00002	FAN BLADE SWP/W (M3, M4)	M8 - GPGM34206031AA	
0150M00008	FAN BLADE, 22" TNT2203-25 (M1, M2)	M9 - GPGM34208031AA	
0130F00010	FLAME SENSOR	M10 - GPGM34806031AA	
0151M00105	GAS VALVE (M1, M2, M3, M4, M5, M6, M7, M8, M9, M10, M11, M12)	M11 - GPGM34808031AA	
0151F00000P	GAS VALVE (M13, M14, M15)	M12 - GPGM34810031AA	
0130M20009	HIGH PRESSURE SWITCH	M13 - GPGM36008031AA	
0130F00014	IGNITOR	M14 - GPGM36010031AA	
10728342	LIMIT SWITCH (M1, M2, M3, M4, M5, M6, M7)	M15 - GPGM36012031AA	
10728343	LIMIT SWITCH (M13, M14, M15)		
10728344	LIMIT SWITCH (M8, M9, M10, M11, M12)		
10123532	LIMIT-RESET MAN-GRAY (M1, M2, M3, M4, M5, M6, M7, M8, M9, M10, M11, M12)		
10123529	LIMIT-RESET MAN-GREEN (M13, M14, M15)		
0130M00087	LOW PRESSURE SWITCH (M13, M14, M15)		
0131M00430	MOTOR, 1/3 HP, 1 SP, 6 PL (M10, M11, M12)		
0131M00840	MOTOR, 1/3 HP, OD (M13, M14, M15)		
0131M00847	MOTOR, 1/4 HP, 1 SP, 6 PL (M3, M4, M5, M6, M7, M8, M9)		
0131M00979	MOTOR, 1/6 HP, 1SP, 8PL,AL (M1, M2)		
0131G00000P	MOTOR, ID BLOWER (M1, M2, M3, M4, M5, M6, M7, M8, M9, M10, M11, M12)		
0131G00001	MOTOR, ID BLOWER (M13, M14, M15)		
PCBCM301V0001	PCB CONTROL AIR HANDLER		
PCBAG127	PCB, IGNITION, DSI, 2 STG (M13, M14, M15)		
PCBAG123	PCB, IGNITION, DSI, INTEG (M1, M2, M3, M4, M5, M6, M7, M8, M9, M10, M11, M12)		
11112501	PRESSURE SWITCH		
0131G00140	PROGRAMMED CONTROLLER (M3, M4)		
0131G00138	PROGRAMMED CONTROLLER (M1, M2)		

Top Panel and Cabinet Assembly



CABINET ASSEMBLY

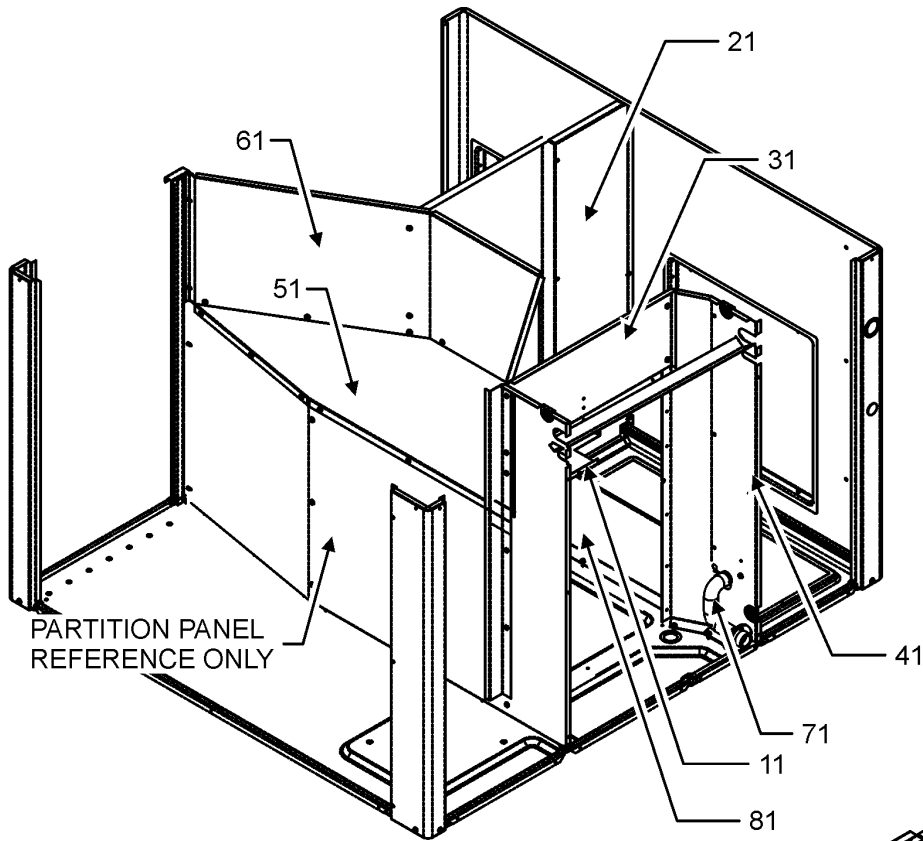


Top Panel and Cabinet Assembly

Ref. Part No:	Ref. Part No:	Description:	Description:																
Image 1:		Image 1:																	
11	0150G00003	BLADE, FAN 26 SWEPT WING (M5, M6, M7, M8, M9, M10, M11, M12, M13, M14, M15)	241 0121G00937 BASEPAN																
11	0150G00002	FAN BLADE SWP/W (M3, M4)	251 0121G00453DG CORNER-POST COMP END, PNT (M5, M6, M7)																
11	0150M00008	FAN BLADE, 22" TNT2203-25 (M1, M2)	251 0121G00455DG CORNER-POST COMP END, PNT (M10, M11, M12, M13, M14, M15)																
21	0131M00430	MOTOR, 1/3 HP, 1 SP, 6 PL (M10, M11, M12)	251 20464201PDG CRNR POST-COMP END 32 W/PAINT (M1, M2, M3, M4)																
21	0131M00840	MOTOR, 1/3 HP, OD (M13, M14, M15)	251 20464202PDG CRNR POST-COMP END 40 W/PAINT (M8, M9)																
21	0131M00847	MOTOR, 1/4 HP, 1 SP, 6 PL (M3, M4, M5, M6, M7, M8, M9)	261 0121G00454DG CORNER-POST HPIN END, PNT (M1, M2, M3, M4, M5, M6, M7)																
21	0131M00979	MOTOR, 1/6 HP, 1SP, 8PL,AL (M1, M2)	261 0121G00456DG CORNER-POST HPIN END, PNT (M8, M9, M10, M11, M12, M13, M14, M15)																
31	0152G00000	FAN GRILLE, RAISED (M3, M4)	NS 0270G00500 FLUE HOOD ASSY																
31	0152G00003	GRILLE-FAN (M1, M2, M5, M6, M7, M8, M9, M10, M11, M12, M13, M14, M15)	Expanded Model Nomenclature																
41	0121G00887PDG	PNL, TOP, PNT	<table border="1"> <tr><td>M1 - GPGM32404031AA</td></tr> <tr><td>M2 - GPGM32406031AA</td></tr> <tr><td>M3 - GPGM33004031AA</td></tr> <tr><td>M4 - GPGM33006031AA</td></tr> <tr><td>M5 - GPGM33604031AA</td></tr> <tr><td>M6 - GPGM33606031AA</td></tr> <tr><td>M7 - GPGM33608031AA</td></tr> <tr><td>M8 - GPGM34206031AA</td></tr> <tr><td>M9 - GPGM34208031AA</td></tr> <tr><td>M10 - GPGM34806031AA</td></tr> <tr><td>M11 - GPGM34808031AA</td></tr> <tr><td>M12 - GPGM34810031AA</td></tr> <tr><td>M13 - GPGM36008031AA</td></tr> <tr><td>M14 - GPGM36010031AA</td></tr> <tr><td>M15 - GPGM36012031AA</td></tr> </table>		M1 - GPGM32404031AA	M2 - GPGM32406031AA	M3 - GPGM33004031AA	M4 - GPGM33006031AA	M5 - GPGM33604031AA	M6 - GPGM33606031AA	M7 - GPGM33608031AA	M8 - GPGM34206031AA	M9 - GPGM34208031AA	M10 - GPGM34806031AA	M11 - GPGM34808031AA	M12 - GPGM34810031AA	M13 - GPGM36008031AA	M14 - GPGM36010031AA	M15 - GPGM36012031AA
M1 - GPGM32404031AA																			
M2 - GPGM32406031AA																			
M3 - GPGM33004031AA																			
M4 - GPGM33006031AA																			
M5 - GPGM33604031AA																			
M6 - GPGM33606031AA																			
M7 - GPGM33608031AA																			
M8 - GPGM34206031AA																			
M9 - GPGM34208031AA																			
M10 - GPGM34806031AA																			
M11 - GPGM34808031AA																			
M12 - GPGM34810031AA																			
M13 - GPGM36008031AA																			
M14 - GPGM36010031AA																			
M15 - GPGM36012031AA																			
51	M0221817	SMALL SCREW (QTY 2)																	
61	0163M00006P	ACORN NUT 5/16 HEX BLACK (QTY 4)																	
71	0161R00123	CONDUIT																	
101	20464804PDG	DOOR-COMPRESSOR 38 (M1, M2, M3, M4, M5, M6, M7)																	
101	20464809PDG	DOOR-COMPRESSOR 40 W/PAINT (M8, M9, M10, M11, M12, M13, M14, M15)																	
111	20467701PDG	PANEL - COND SIDE 32 W/PAINT (M1, M2, M3, M4, M5, M6, M7)																	
111	20467702PDG	PANEL - COND SIDE 40 W/PAINT (M8, M9, M10, M11, M12, M13, M14, M15)																	
121	20466101PDG	UTILITY PANEL 32 W/PAINT (M1, M2, M3, M4, M5, M6, M7)																	
121	20466102PDG	UTILITY PANEL 40 W/PAINT (M8, M9, M10, M11, M12, M13, M14, M15)																	
131	0121G00917DG	PANEL, DUCT, 40" PNT-DG (M8, M9, M10, M11, M12, M13, M14, M15)																	
131	0121G00802DG	PNL, DUCT, GAS 32.5" PNT (M1, M2, M3, M4, M5, M6, M7)																	
141	0121G00460	POST-SUPPORT, SIDE (M1, M2, M3, M4, M5, M6, M7)																	
141	0121G00615	POST-SUPPORT, SIDE 40 (M8, M9, M10, M11, M12, M13, M14, M15)																	
161	0121G00728DG	PANEL-COND LOUVERED 32 (M1, M2, M3, M4, M5, M6, M7)																	
161	0121G00729DG	PANEL-COND LOUVERED 40 (M8, M9, M10, M11, M12, M13, M14, M15)																	
171	20464801PDG	DOOR - BLOWER 32 W/PAINT (M1, M2, M3, M4, M5, M6, M7)																	
171	20464806PDG	DOOR - BLOWER 40 W/PAINT (M8, M9, M10, M11, M12, M13, M14, M15)																	
181	20464802PDG	DOOR-EVAP/CONTROL 32 W/PAINT (M1, M2, M3, M4, M5, M6, M7)																	
181	20464807PDG	DOOR-EVAP/CONTROL 40 W/PAINT (M8, M9, M10, M11, M12, M13, M14, M15)																	
191	0121G00526DG	DOOR-HT EXCHANGE 32 (M1, M2, M3, M4, M5, M6, M7)																	
191	0121G00527DG	DOOR-HT EXCHANGE 38 (M8, M9, M10, M11, M12, M13, M14, M15)																	

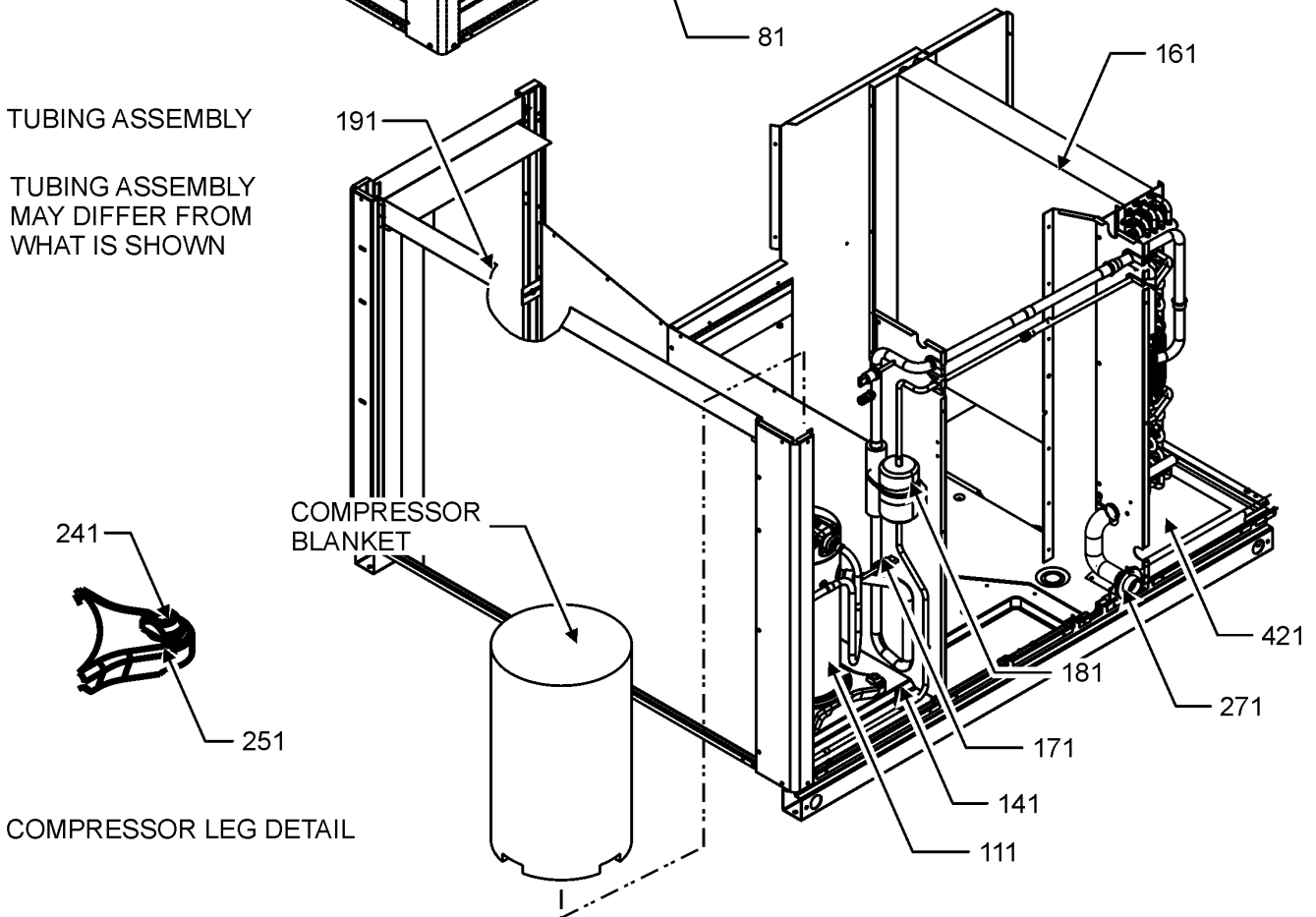
Partition and Tubing Assembly

PARTITION ASSEMBLY



TUBING ASSEMBLY

TUBING ASSEMBLY
MAY DIFFER FROM
WHAT IS SHOWN



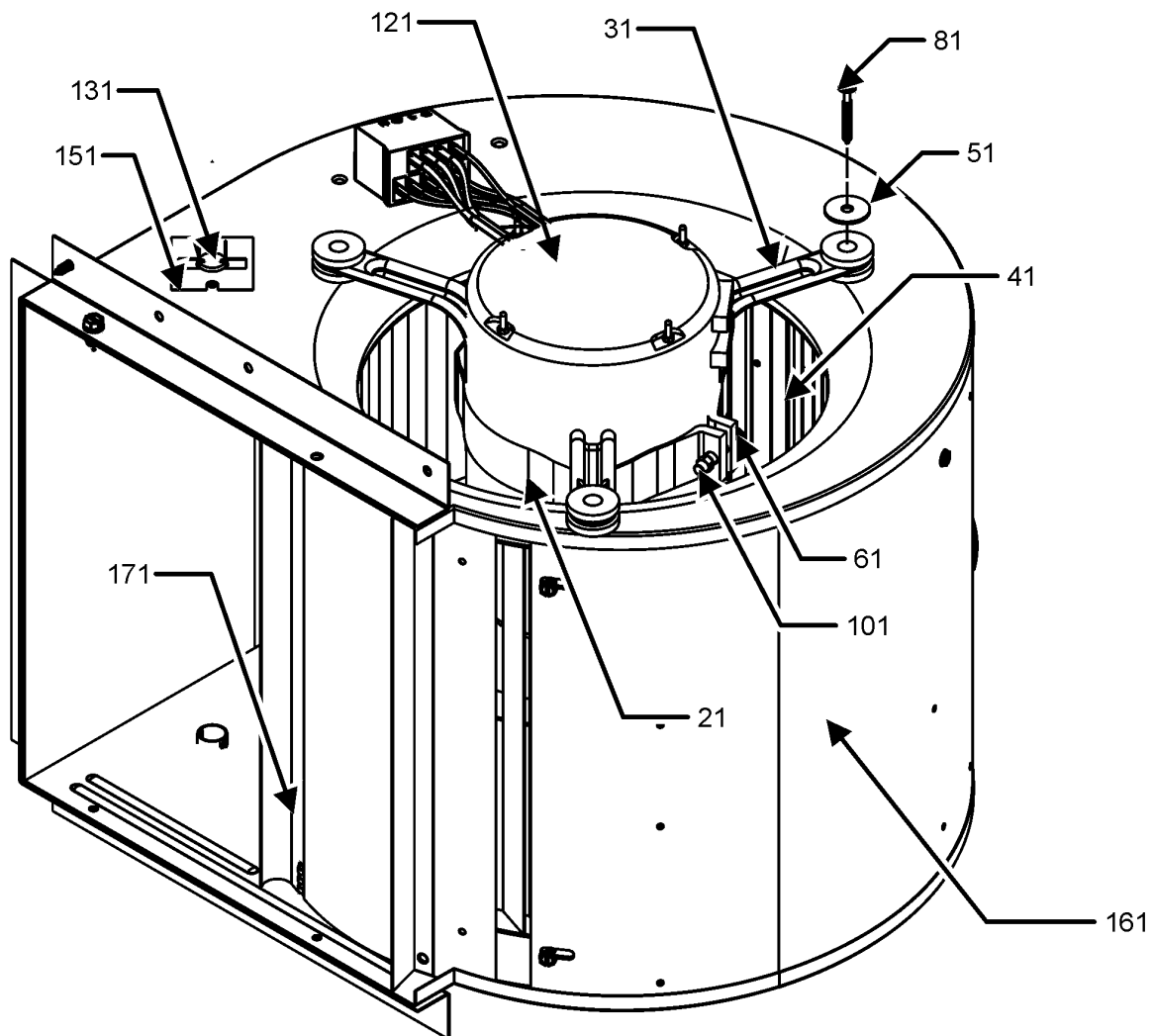
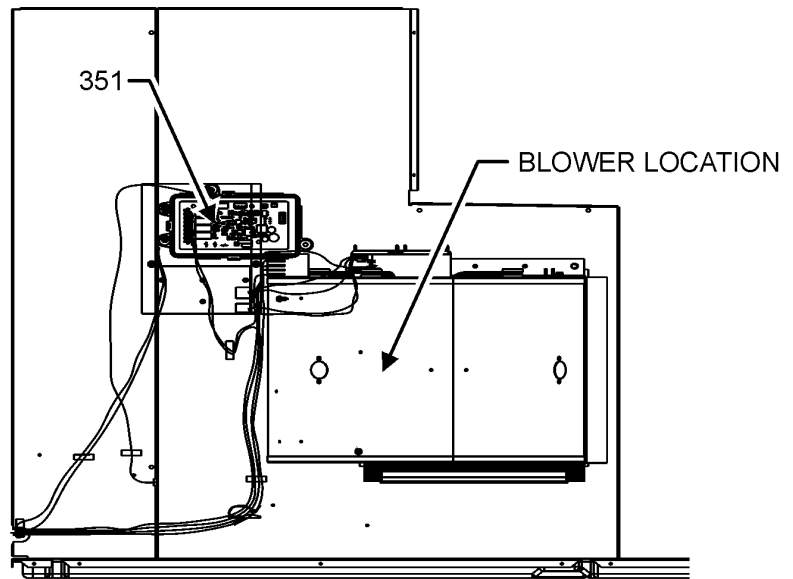
Partition and Tubing Assembly

Ref. Part No:	Ref. Part No:	Description:	Description:
Image 1:		Image 1:	
11	20472501	SHIELD-HT TUBES	NS 0164A00019 GROMMET
21	0121G20003	DIVIDER, BLOWER (M8, M9, M10, M11, M12, M13, M14, M15)	NS 0164M00111 GROMMET D (QTY 4)
21	0121G20009	DIVIDER, BLOWER (M5, M6, M7)	NS 0164M00110 GROMMET-HORSESHOE
21	0121G20010	DIVIDER, BLOWER (M1, M2, M3, M4)	NS 20333401 GROMMET-HORSESHOE
31	0121G00894	PANEL FILLER HT EXCH 32 (M1, M2, M3, M4, M5, M6, M7)	NS 20333501 GROMMET-HORSESHOE
31	0121G00895	PANEL FILLER HT EXCH 40 (M8, M9, M10, M11, M12, M13, M14, M15)	NS 20477501 GROMMET-HORSESHOE
41	0121G00757	DIVIDER, EVAP/HT EXCH 32 (M1, M2, M3, M4, M5, M6, M7)	NS 0159G00005 HARNESS-COMP SCROLL (M13, M14, M15)
41	0121G00758	DIVIDER, EVAP/HT EXCH 38 (M8, M9, M10, M11, M12, M13, M14, M15)	NS 0159G00014 HARNESS-COMP SCROLL (M1, M2, M3, M4, M5, M6, M7)
51	20465701	FAN PARTITION SHELF	NS 0159G00015 HARNESS-COMP SCROLL (M8, M9, M10, M11, M12)
61	20465801	SURROUND-FAN 32 (M1, M2, M3, M4, M5, M6, M7)	NS B1810011 HOSE CLAMP 1.25 (QTY 2)
61	20465802	SURROUND-FAN 40 (M8, M9, M10, M11, M12, M13, M14, M15)	NS 0130M00087 LOW PRESSURE SWITCH (M13, M14, M15)
71	20498302	TUBE-DRAIN 32 (M1, M2, M3, M4, M5, M6, M7)	NS 0163M00629 RED CAP WITH O-RING (QTY 2)
71	20498301	TUBE-DRAIN 40 (M8, M9, M10, M11, M12, M13, M14, M15)	
81	20463802	BLOCK-EVAP/BPAN 32 (M1, M2, M3, M4, M5, M6, M7)	
81	20463801	BLOCK-EVAP/BPAN 40 (M8, M9, M10, M11, M12, M13, M14, M15)	
111	YP20K1TPFVASE	COMPRESSOR (M1, M2)	
111	YP25K1TPFVASE	COMPRESSOR (M3, M4)	
111	YP29K1TPFVASE	COMPRESSOR (M5, M6, M7)	
111	YP34K1TPFVASC	COMPRESSOR (M8, M9)	
111	YP40K1TPFVASC	COMPRESSOR (M10, M11, M12)	
111	YPS51K1TPFVASC	COMPRESSOR (M13, M14, M15)	
141	B1373315	ACCESS FITTING (QTY 2)	
161	0202G20018	COIL TUBING ASSEMBLY (M13, M14, M15)	
161	0202G20007	COIL TUBING ASSY (M1, M2)	
161	0202G20009	COIL TUBING ASSY (M5, M6, M7)	
161	0202G20015	COIL TUBING ASSY (M3, M4)	
161	0202G20016	COIL TUBING ASSY (M8, M9)	
161	0202G20017	COIL TUBING ASSY (M10, M11, M12)	
171	0130M20009	HIGH PRESSURE SWITCH	
181	0162G00007	SINGLE-FLOW FILTER DRIER,STL (M5, M6, M7, M8, M9, M10, M11, M12, M13, M14, M15)	
181	0162G00008	SINGLE-FLOW FILTER DRIER,STL (M1, M2, M3, M4)	
191	0201G00369	ASSY., CONDENSER COIL (M10, M11, M12, M13, M14, M15)	
191	0201G00463	COND COIL ASSY (M8, M9)	
191	0201G00142	COND COIL TUBING ASSY (M1, M2, M3, M4)	
191	0201G00262	CONDENSER COIL ASSY (M5, M6, M7)	
241	M0221641	SCREW-SHOULDER TF (QTY 4)	
251	B1339533	COMPRESSOR GROMMET (QTY 4)	
271	20513001	EVAP DRAIN FITTING	
421	20464901DF	DRAIN PAN-EVAP COIL	
NS	0151M00101	ACCESS VALVE FITTING (M13, M14, M15)	
NS	0151G00008	ADJUSTABLE VALVE TXV R32 (M13, M14, M15)	
NS	0159G00031	CABLE COMP SCROLL (M13, M14, M15)	
Expanded Model Nomenclature			
M1 - GPGM32404031AA			
M2 - GPGM32406031AA			
M3 - GPGM33004031AA			
M4 - GPGM33006031AA			
M5 - GPGM33604031AA			
M6 - GPGM33606031AA			
M7 - GPGM33608031AA			
M8 - GPGM34206031AA			
M9 - GPGM34208031AA			
M10 - GPGM34806031AA			
M11 - GPGM34808031AA			
M12 - GPGM34810031AA			
M13 - GPGM36008031AA			
M14 - GPGM36010031AA			
M15 - GPGM36012031AA			

Blower Assembly

BLOWER ASSEMBLY

BLOWER ASSEMBLY MAY DIFFER FROM WHAT IS SHOWN



Blower Assembly

Ref. Part No:	Ref. Part No:	Description:	Description:
Image 1:			
21	0121M00038	MOTOR MOUNT BAND	
31	B1376857	MOTOR MOUNT ARM (QTY 3)	
41	B1368000	BLOWER WHEEL (11 X 10) (M8, M9, M10, M11, M12, M13, M14, M15)	
41	B1368016	WHEEL, BLOWER, 10X8 (M1, M2, M3, M4)	
41	D6723303	WHEEL-BLOWER (M5, M6, M7)	
51	B1392918	WASHER FLAT 1/4 ID X 1 OD (QTY 3)	
61	B1393323	SCREW,MACHI HWH 1/4-20X1 1/2 BZ	
81	M0250565	TC SCREW 1.25" (QTY 3)	
101	B1393800	LOCKNUT, NYLON, INSERT 1/4, 20	
121	0131M00747M	CONTROLLERLESS MOTOR (M8, M9, M10, M11, M12)	
121	0131M00749M	CONTROLLERLESS MOTOR (M13, M14, M15)	
121	0131M00750M	CONTROLLERLESS MOTOR (M1, M2, M3, M4, M5, M6, M7)	
121	0131G00138	PROGRAMMED CONTROLLER (M1, M2)	
121	0131G00140	PROGRAMMED CONTROLLER (M3, M4)	
121	0131G00142	PROGRAMMED CONTROLLER (M5, M6, M7)	
121	0131G00145	PROGRAMMED CONTROLLER (M8, M9)	
121	0131G00147	PROGRAMMED CONTROLLER (M10, M11, M12)	
121	0131G00149	PROGRAMMED CONTROLLER (M13)	
121	0131G00150	PROGRAMMED CONTROLLER (M14)	
121	0131G00180	PROGRAMMED CONTROLLER (M15)	
131	20269903	LIMIT	
151	2509503	BRACKET F/ROLLOUT SWUT SWITCH	
161	0271G00025	BLOWER HOUSING ASSY (10X8) (M1, M2, M3, M4)	
161	0271G00024	BLOWER HOUSING ASSY (10X9) (M5, M6, M7)	
161	2539309	BLOWER HOUSING ASSY (11X10) (M8, M9, M10, M11, M12, M13, M14, M15)	
171	764742	BLOCK OFF - BLOWER (M5, M6, M7)	
171	1864703	BLOWER CUT-OFF ASM,5TON,MORRIS (M8, M9, M10, M11, M12, M13, M14, M15)	
171	764740	BLWR BLK-OFF,10X8 (M1, M2, M3, M4)	
351	PCBCM301V0001	PCB CONTROL AIR HANDLER	
NS	0121G00946	COVER, DOWN DISCHARGE, SINGLE (QTY 2)	
NS	0261G20000	PCB CASE	

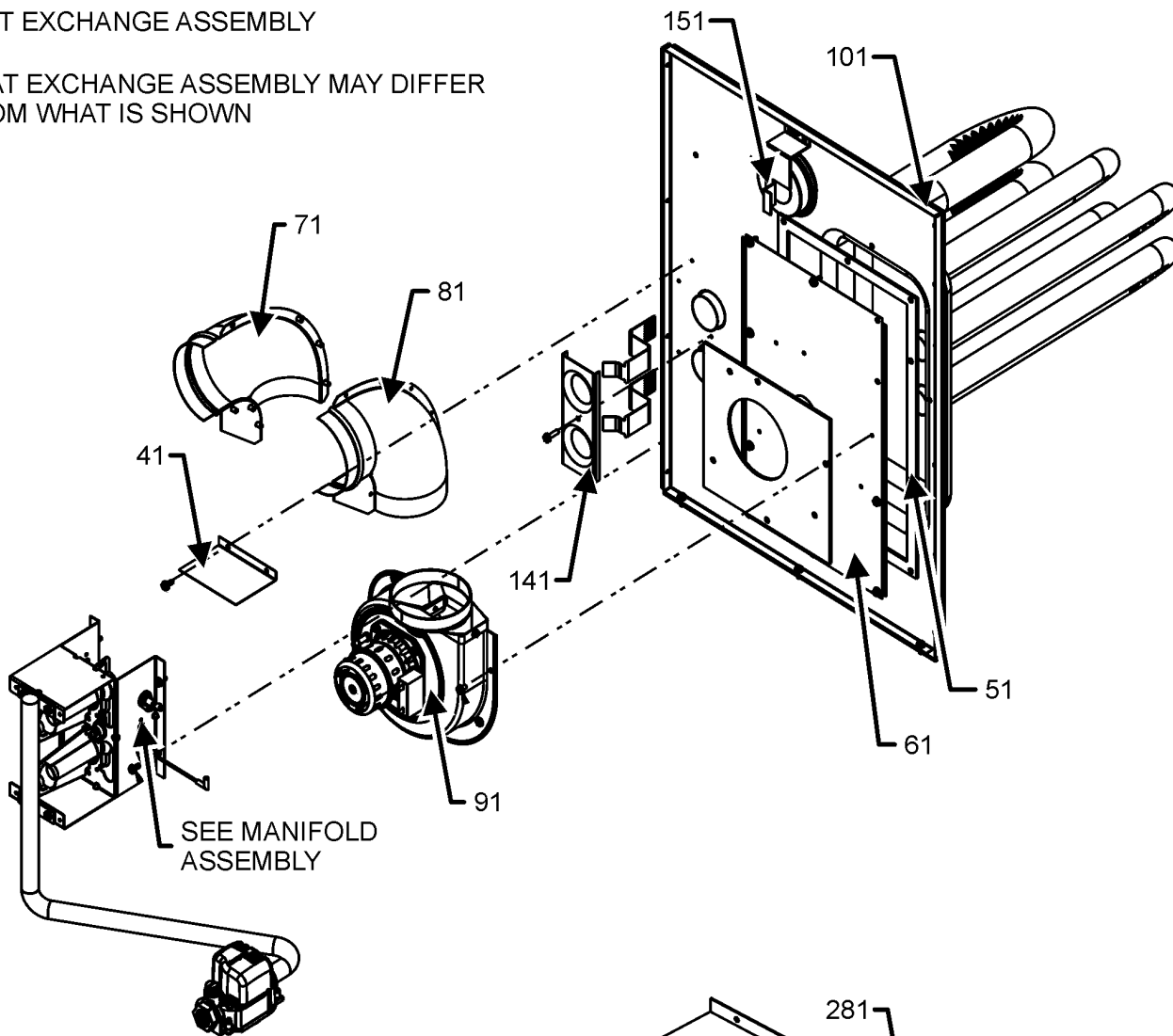
Expanded Model Nomenclature

M1 - GPGM32404031AA
M2 - GPGM32406031AA
M3 - GPGM33004031AA
M4 - GPGM33006031AA
M5 - GPGM33604031AA
M6 - GPGM33606031AA
M7 - GPGM33608031AA
M8 - GPGM34206031AA
M9 - GPGM34208031AA
M10 - GPGM34806031AA
M11 - GPGM34808031AA
M12 - GPGM34810031AA
M13 - GPGM36008031AA
M14 - GPGM36010031AA
M15 - GPGM36012031AA

Heat Exchange and Manifold Assembly

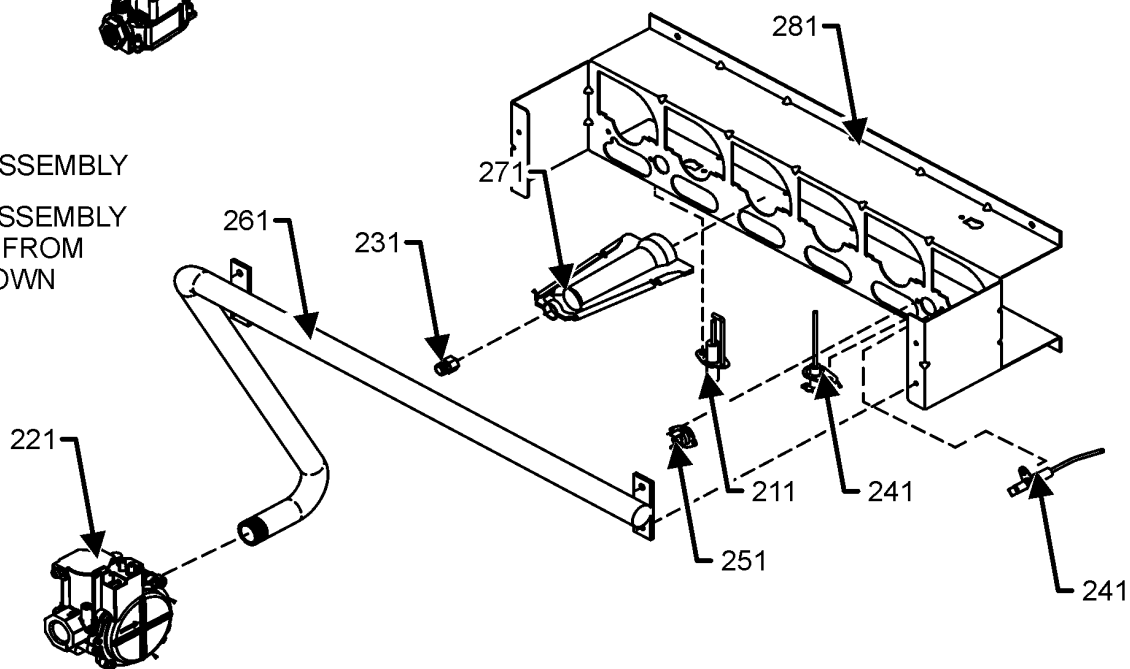
HEAT EXCHANGE ASSEMBLY

HEAT EXCHANGE ASSEMBLY MAY DIFFER FROM WHAT IS SHOWN



MANIFOLD ASSEMBLY

MANIFOLD ASSEMBLY MAY DIFFER FROM WHAT IS SHOWN

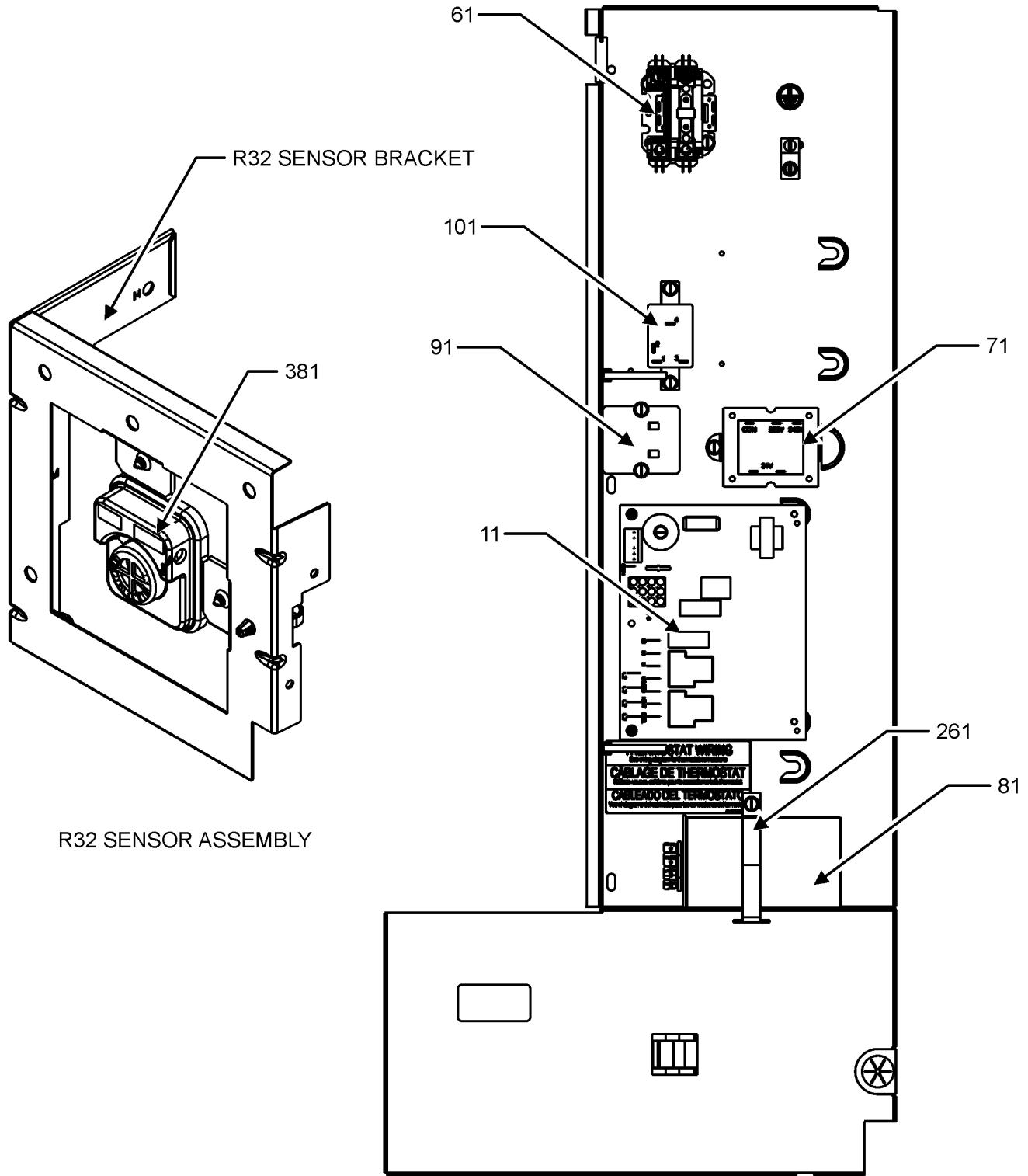


Heat Exchange and Manifold Assembly

Ref. Part No:	Ref. Part No:	Description:	Description:
Image 1:		Expanded Model Nomenclature	
41	11190202	DEFLECTOR HEAT PKG	M1 - GPGM32404031AA
51	0154G00020	GASKET-ID BLOWER & PLATE (M1, M2, M3, M4, M5, M6, M7)	M2 - GPGM32406031AA
51	0154G00021	GASKET-ID BLOWER & PLATE (M8, M9, M10, M11, M12, M13, M14, M15)	M3 - GPGM33004031AA
61	0121G00739	PLATE-ID BLOWER (M1, M3, M5)	M4 - GPGM33006031AA
61	0121G00740	PLATE-ID BLOWER (M2, M4, M6)	M5 - GPGM33604031AA
61	0121G00741	PLATE-ID BLOWER (M7)	M6 - GPGM33606031AA
61	0121G00742	PLATE-ID BLOWER (M12)	M7 - GPGM33608031AA
61	0121G00743	PLATE-ID BLOWER (M14)	M8 - GPGM34206031AA
61	0121G00744	PLATE-ID BLOWER (M8, M10)	M9 - GPGM34208031AA
61	0121G00745	PLATE-ID BLOWER (M9, M11, M13)	M10 - GPGM34806031AA
61	0121G20023	PLATE-ID BLOWER (M15)	M11 - GPGM34808031AA
71	20484401	FLUE ELBOW LEFT	M12 - GPGM34810031AA
81	20484402	FLUE ELBOW RIGHT	M13 - GPGM36008031AA
91	0131G00000P	MOTOR, ID BLOWER (M1, M2, M3, M4, M5, M6, M7, M8, M9, M10, M11, M12)	M14 - GPGM36010031AA
91	0131G00001	MOTOR, ID BLOWER (M13, M14, M15)	M15 - GPGM36012031AA
101	20490714	ASSY, PART/TUBE (M1, M3, M5)	
101	20490716	ASSY, PART/TUBE (M8, M10)	
101	20490707	PART/TUBE ASSY 3B (M2, M4, M6)	
101	20490703	PART/TUBE ASSY 4B (M7)	
101	20490704	PART/TUBE ASSY 4B (M9, M11, M13)	
101	20490705	PART/TUBE ASSY 5B (M12, M14)	
101	20490706	PART/TUBE ASSY 6B (M15)	
141	11072201	SHIELD-ORF CO FUR (M1, M3, M5)	
141	11072202	SHIELD-ORF CO FUR (M2, M4, M6, M8, M10)	
141	11072203	SHIELD-ORF CO FUR (M7, M9, M11, M13)	
141	11072204	SHIELD-ORF CO FUR (M12, M14)	
141	11072205	SHIELD-ORF CO FUR (M15)	
151	11112501	PRESSURE SWITCH	
211	0130F00014	IGNITOR	
221	0151F00000P	GAS VALVE (M13, M14, M15)	
221	0151M00105	GAS VALVE (M1, M2, M3, M4, M5, M6, M7, M8, M9, M10, M11, M12)	
231	10716005	ORIFICE (QTY 2)	
241	0130F00010	FLAME SENSOR	
251	10123532	LIMIT-RESET MAN-GRAY (M1, M2, M3, M4, M5, M6, M7, M8, M9, M10, M11, M12)	
251	10123529	LIMIT-RESET MAN-GREEN (M13, M14, M15)	
261	20493103	MANIFOLD- 3 BRNR 32 (M2, M4, M6)	
261	20493104	MANIFOLD- 4 BRNR 32 (M7)	
261	20493105	MANIFOLD- 4 BRNR 38 (M9, M11, M13)	
261	20493106	MANIFOLD- 5 BRNR 38 (M12, M14)	
261	20493107	MANIFOLD- 6 BRNR 38 (M15)	
261	0121M00035P	MANIFOLD-2 BURNER (M1, M3, M5)	
261	0121M00036P	MANIFOLD-3 BURNER (M8, M10)	
271	0163F00017	BECKETT BURNER (QTY 2)	
281	20190410	BRKT-BURNER 2B FUR (M1, M3, M5)	
281	0121L02164	BRKT-BURNER 3B FUR (M2, M4, M6, M8, M10)	
281	20190412	BRKT-BURNER 4B FUR (M7, M9, M11, M13)	
281	20190413	BRKT-BURNER 5B FUR (M12, M14)	
281	0121G00886	BURNER BRACKET, 6 (M15)	
NS	0154G00011	ELBOW FLUE GASKET	
NS	0154G00013	ELBOW FLUE GASKET	
NS	0270G00500	FLUE HOOD ASSY	

Control Panel

CONTROL BOX ASSEMBLY



CONTROL BOX ASSEMBLY
MAY DIFFER FROM WHAT
IS SHOWN

Control Panel

Ref. Part No:	No:	Description:	Ref. Part No:	No:	Description:
Image 1:					
11	PCBAG127	PCB, IGNITION, DSI, 2 STG (M13, M14, M15)			
11	PCBAG123	PCB, IGNITION, DSI, INTEG (M1, M2, M3, M4, M5, M6, M7, M8, M9, M10, M11, M12)			
61	CONT1P030024D	CONT, 1 POLE, 30 AMP, 24VAC (M1, M2, M3, M4, M5, M6, M7, M8, M9, M10, M11, M12)			
61	CONT2P040024D	CONT, 2 POLE, 40 AMP, 24VAC (M13, M14, M15)			
71	0130M00138	TRANSFORMER 208/230 24V			
81	CAP100400440CT	CAP, 10/40 MFD, 440V/ DUAL RD (M13, M14, M15)			
81	CAP100450440CS	CAP, 10/45 MFD/ 440V DUAL RD (M10, M11, M12)			
81	CAB050300440CS	CAP, 5/30 MFD/440V RD - BPRF (M1, M2)			
81	CAB050400440CT	CAP, 5/40 MFD/440V RD - BPRF (M3, M4, M5, M6, M7)			
81	CAB050450440CT	CAP, 5/45 MFD/440V RD - BPRF (M8, M9)			
91	10728342	LIMIT SWITCH (M1, M2, M3, M4, M5, M6, M7)			
91	10728343	LIMIT SWITCH (M13, M14, M15)			
91	10728344	LIMIT SWITCH (M8, M9, M10, M11, M12)			
101	B1370751	RELAY 24V (M1, M2, M3, M4, M5, M6, M7, M8, M9, M10, M11, M12)			
261	20520901	STRAP-CAPACITOR			
381	SER2A08012	SENSATA R32 SENSOR			
NS	0259G00209	BLOWER-HARNESS, SM (M1, M2, M3, M4, M5, M6, M7)			
NS	0121G20000	BRACKET R32 SENSOR			
NS	0259G00252	COMPRESSOR HARNESS ASSY (M1, M2, M3, M4)			
NS	0259G00269	COMPRESSOR HARNESS ASSY (M5, M6, M7)			
NS	0259G00207	CONTROL HARNESS, SM (M1, M2, M3, M4, M5, M6, M7)			
NS	0259G00023	HARNESS, BLOWER (M8, M9, M10, M11, M12)			
NS	0259G00083	HARNESS-CONTROL (M8, M9, M10, M11, M12)			
NS	0259G00329	WIRE HARNESS ASSEMBLY			
NS	0259G00330	WIRE HARNESS ASSEMBLY			
NS	0259G00044	WIRE HARNESS-9 CIRCUIT (M13, M14, M15)			
NS	0259G00117	WIRE HARNESS-FAN (M13, M14, M15)			

Expanded Model Nomenclature

M1 - GPGM32404031AA
M2 - GPGM32406031AA
M3 - GPGM33004031AA
M4 - GPGM33006031AA
M5 - GPGM33604031AA
M6 - GPGM33606031AA
M7 - GPGM33608031AA
M8 - GPGM34206031AA
M9 - GPGM34208031AA
M10 - GPGM34806031AA
M11 - GPGM34808031AA
M12 - GPGM34810031AA
M13 - GPGM36008031AA
M14 - GPGM36010031AA
M15 - GPGM36012031AA