

GPCH3 R32 Horizontal Package Cooling Units

GPCH32431AA
GPCH33031AA
GPCH33631AA
GPCH34231AA
GPCH34831AA
GPCH36031AA



This manual is to be used by qualified technicians only.

© 2025 Goodman Manufacturing Company, L.P. ♦ 19001 Kermier Rd. ♦ Waller, TX 77484

Important Information

Index

Functional Parts List	3
Illustration and Parts	4 - 11

Views shown are for parts illustrations only, not servicing procedures.

Text Codes:

AR - As Required

NA - Not Available

NS - Not Shown

00000000 - See Note

QTY - Quantity Example (QTY 3) (If Quantity not shown, Quantity = 1)

M - Model Example (M1) (If M Code not shown, then part is used on all Models)

Expanded Model Nomenclature:

Example M1 - Model#1 M2 - Model#2 M3 - Model#3

Goodman Manufacturing Company, L.P. is not responsible for personal injury or property damage resulting from improper service. Review all service information before beginning repairs.

Warranty service must be performed by an authorized technician, using authorized factory parts. If service is required after the warranty expires, Goodman Manufacturing Company, L.P. also recommends contacting an authorized technician and using authorized factory parts.

Goodman Manufacturing Company, L.P. reserves the right to discontinue, or change at any time, specifications or designs without notice or without incurring obligations.

For assistance within the U.S.A. contact:
Homeowner Support
Goodman Manufacturing Company, L.P.
19001 Kermier Road
Waller, Texas 77484
877-254-4729-Telephone
713-863-2382-Facsimile

For assistance outside the U.S.A. contact:
International Division
Goodman Manufacturing Company, L.P.
19001 Kermier Road
Waller, Texas 77484
713-861-2500-Telephone
713-863-2382-Facsimile

Functional Parts

Part

No: Description:

0150G00004	BLADE, FAN 24 OA SERIES (M3, M4, M5, M6)
B1368016	BLOWER WHEEL 10 X 8 (M1, M2, M3, M4, M5)
B1368054	BLOWER WHEEL 11 X 8 CLOCKWISE (M6)
CAB050300440CS	CAP, 5/30 MFD/440V RD - BPRF (M1)
CAB050400440CT	CAP, 5/40 MFD/440V RD - BPRF (M2, M6)
CAB050450440CT	CAP, 5/45 MFD/440V RD - BPRF (M3, M4, M5)
YP20K1TPFVASE	COMPRESSOR (M1)
YP25K1TPFVASE	COMPRESSOR (M2)
YP34K1TPFVASC	COMPRESSOR (M3, M4)
YP40K1TPFVASC	COMPRESSOR (M5)
YPS51K1TPFVASC	COMPRESSOR (M6)
CONT1P030024D	CONT, 1 POLE, 30 AMP, 24VAC (M1, M2, M3, M4, M5)
CONT2P040024D	CONT, 2 POLE, 40 AMP, 24VAC (M6)
0131M00747M	CONTROLLERLESS MOTOR (M3, M4, M5, M6)
0131M00750M	CONTROLLERLESS MOTOR (M1, M2)
0150M00055	FAN BLADE, 22" (M1, M2)
0130M20009	HIGH PRESSURE SWITCH
0131M00847	MOTOR, 1/4 HP, 1 SP, 6 PL (M3, M4, M5, M6)
0131M00979	MOTOR, 1/6 HP, 1SP, 8PL,AL (M1, M2)
PCBCM301V0001	PCB CONTROL AIR HANDLER
0131G20046	PROGRAMMED CONTROLLER (M6)
0131G20043	PROGRAMMED CONTROLLER (M3)
0131G20045	PROGRAMMED CONTROLLER (M5)
0131G00126	PROGRAMMED CONTROLLER (M1)
0131G00129	PROGRAMMED CONTROLLER (M4)
0131G20042	PROGRAMMED CONTROLLER (M2)
0130M00242	RELAY 24V (M6)
SER2A08012	SENSATA R32 SENSOR
0130M00138	TRANSFORMER, 208/230, 24V
0151G20026	VALVE, TXV (M6)

Expanded Model Nomenclature

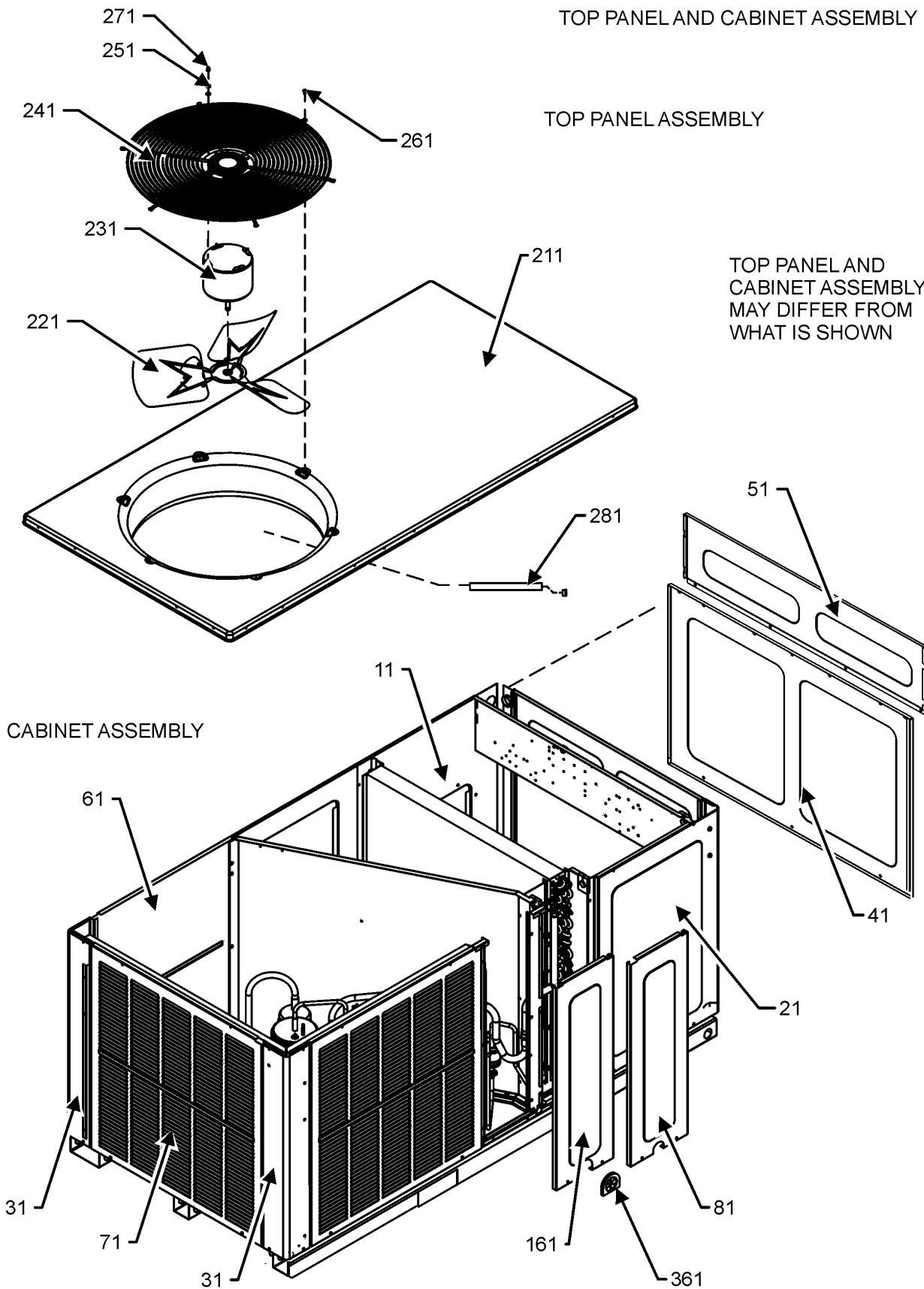
- | |
|------------------|
| M1 - GPCH32431AA |
| M2 - GPCH33031AA |
| M3 - GPCH33631AA |
| M4 - GPCH34231AA |
| M5 - GPCH34831AA |
| M6 - GPCH36031AA |

Top Panel and Cabinet Assembly

TOP PANEL AND CABINET ASSEMBLY

TOP PANEL ASSEMBLY

TOP PANEL AND
CABINET ASSEMBLY
MAY DIFFER FROM
WHAT IS SHOWN



Top Panel and Cabinet Assembly

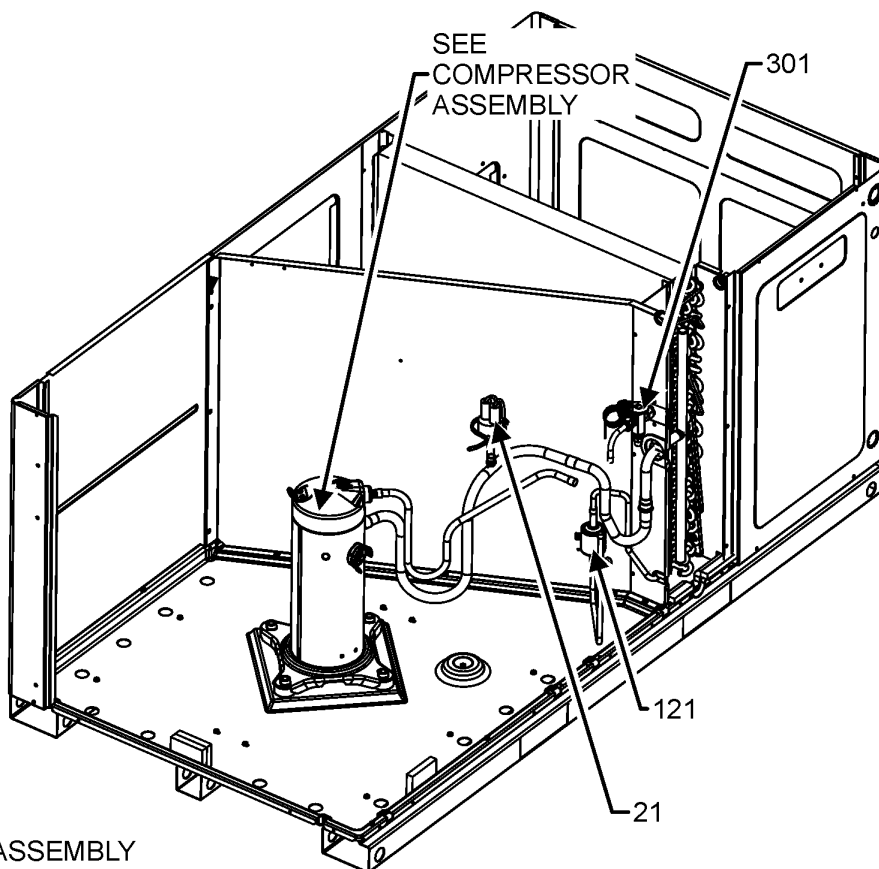
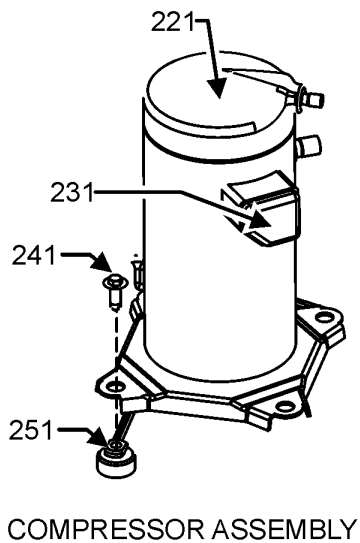
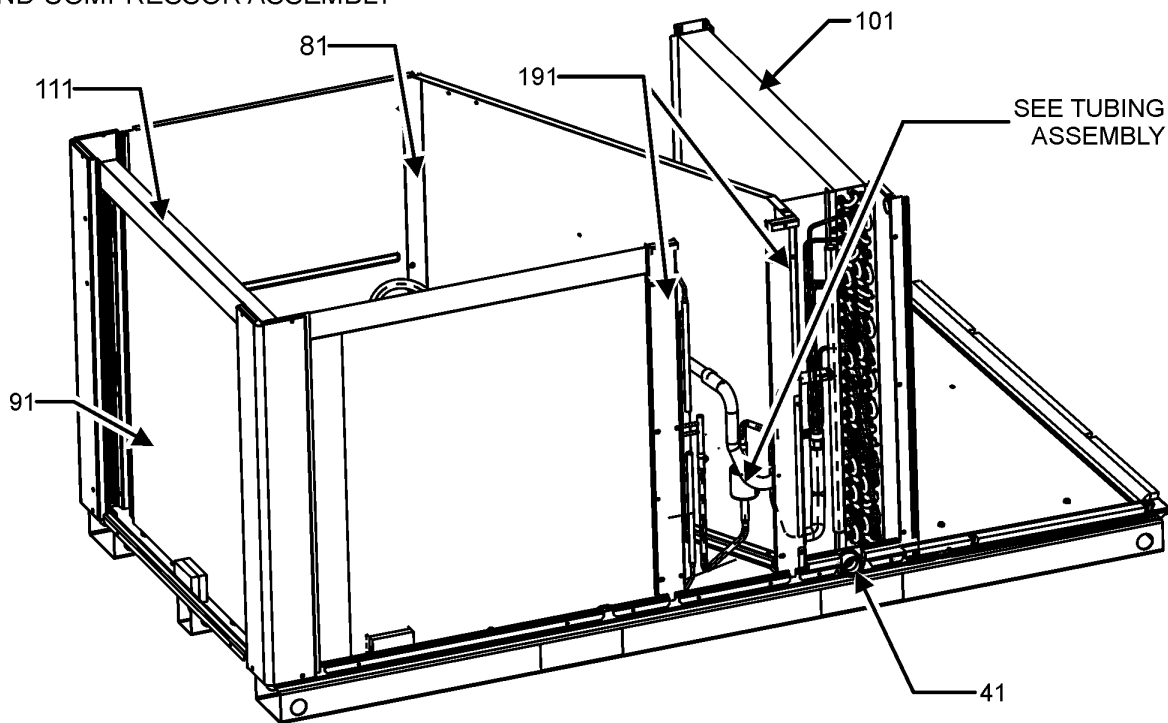
Ref. Part No:	Ref. Part No:	Description:	Description:
Image 1:			
11	0121G00667PDG	PNL, DUCT 27.5" (M1, M2)	
11	0121G00668PDG	PNL, DUCT, 32.5" (M3, M4, M5, M6)	
21	0121G00664DG	PNL, CORNER, 27.5" (M1, M2)	
21	0121G00665DG	PNL, CORNER, 32.5" (M3, M4, M5, M6)	
31	0121G00048PDG	POST, COR, 32.5" (M3, M4, M5, M6)	
31	0121G00516DG	POST, CORNER, 27.5" PAINTED (M1, M2)	
41	0121G00271DG	PNL, EXT BLOWER, 27.5" (M1, M2)	
41	0121G00272DG	PNL, EXT BLOWER, 32.5" (M3, M4, M5, M6)	
51	0121G00276DG	EXTERNAL CONTROL BOX PANEL	
51	0121G00276DG	EXTERNAL CONTROL BOX PANEL	
61	0121G00070PDG	PNL, LVR, 32.5" 4BANK (M3, M4, M5, M6)	
61	0121G00517DG	PNL, NO LVR 27.5" PAINTED (M1, M2)	
71	0121G00072PDG	PNL, LVR, 27.5" 5BANK (M1, M2)	
71	0121G00073PDG	PNL, LVR, 32.5" 5BANK (M3, M4, M5, M6)	
81	0121G00065PDG	PNL, EVAP, 8.75" X 27.5" (M1, M2)	
81	0121G00066PDG	PNL, EVAP, 8.75" X 32.5" (M3, M4, M5, M6)	
161	0121G00711DG	PNT, COMPRESSOR PANEL (M1, M2)	
161	0121G00712DG	PNT, COMPRESSOR PANEL (M3, M4, M5, M6)	
211	0121G00936DG	PAINTED, PANEL, TOP	
221	0150G00004	BLADE, FAN 24 OA SERIES (M3, M4, M5, M6)	
221	0150M00055	FAN BLADE, 22" (M1, M2)	
231	0131M00847	MOTOR, 1/4 HP, 1 SP, 6 PL (M3, M4, M5, M6)	
231	0131M00979	MOTOR, 1/6 HP, 1SP, 8PL,AL (M1, M2)	
241	0152G00003	FAN GRILLE	
251	0163M00005P	WASHER, BLACK (.50 OD .218ID) (QTY 4)	
261	M0221817	SMALL SCREW (QTY 6)	
271	0163M00006P	ACORN NUT 5/16 HEX BLACK (QTY 4)	
281	0161R00123	CONDUIT	
361	0164G00005	GROMMET-HORSESHOE 1.675	
NS	B1392012	GROMMET / HS 1.0 - .79 (QTY 3)	

Expanded Model Nomenclature

- | |
|------------------|
| M1 - GPCH32431AA |
| M2 - GPCH33031AA |
| M3 - GPCH33631AA |
| M4 - GPCH34231AA |
| M5 - GPCH34831AA |
| M6 - GPCH36031AA |

Tubing and Compressor Assembly

TUBING AND COMPRESSOR ASSEMBLY



TUBING AND COMPRESSOR ASSEMBLY
MAY DIFFER FROM WHAT IS SHOWN

TUBING ASSEMBLY

Tubing and Compressor Assembly

Ref. Part No:	Part No:	Description:	Ref. Part No:	Part No:	Description:
---------------	----------	--------------	---------------	----------	--------------

Image 1:

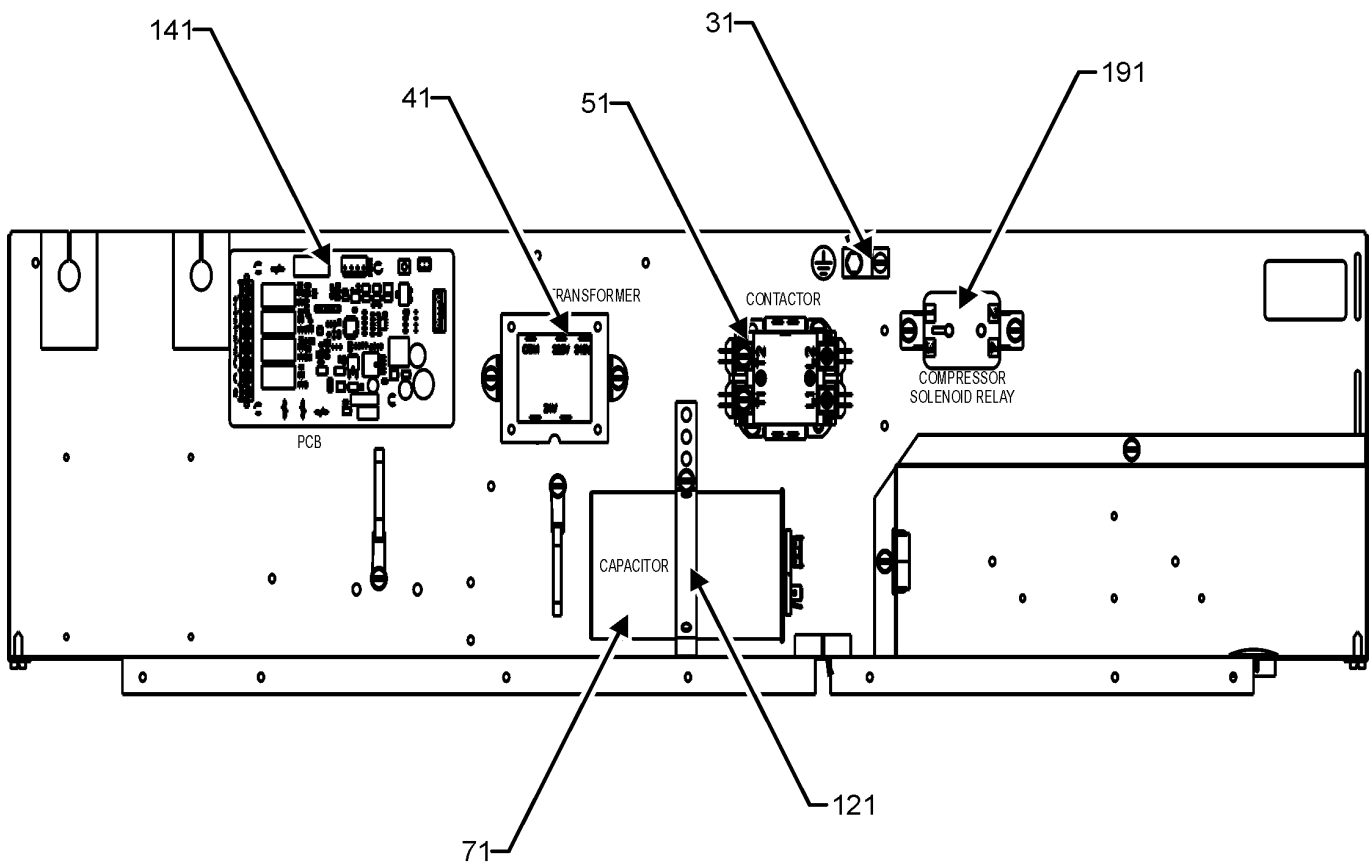
21	0130M20009	HIGH PRESSURE SWITCH			
41	0161G00000P	DRIP PAN			
81	0121G00566	BLOCKOFF COND POST (M6)			
91	0201G00187	COIL TUBING ASSY (M3, M4, M5)			
91	0201G00308	CONDENSER COIL ASSY (M1, M2)			
91	0201G00334	FORMED CONDENSER COIL (M6)			
101	0202G20054	COIL TUBING ASSEMBLY (M1)			
101	0202G20055	COIL TUBING ASSEMBLY (M2)			
101	0202G20056	COIL TUBING ASSEMBLY (M3, M4)			
101	0202G20058	COIL TUBING ASSEMBLY (M5)			
101	0202G20059	COIL TUBING ASSEMBLY (M6)			
111	0121G00519	BLOCKOFF-COND COIL (M1, M2)			
111	0121G00372	CONDENSER COIL BLOCKOFF (M3, M4, M5, M6)			
121	0162G00007	SINGLE-FLOW FILTER DRIER,STL (M3, M4, M5, M6)			
121	0162G00008	SINGLE-FLOW FILTER DRIER,STL (M1, M2)			
191	0121G00045P	POST 27.5" (M1, M2)			
191	0121G00079P	POST, 32.5" (M3, M4, M5)			
191	0121G00565	POST-SIDE 32.5" (M6)			
221	YP20K1TPFVASE	COMPRESSOR (M1)			
221	YP25K1TPFVASE	COMPRESSOR (M2)			
221	YP34K1TPFVASC	COMPRESSOR (M3, M4)			
221	YP40K1TPFVASC	COMPRESSOR (M5)			
221	YPS51K1TPFVASC	COMPRESSOR (M6)			
231	0159G00004	COMPRESSOR SCROLL HARNESS			
241	M0221641	TF SHOULDER SCREW (QTY 4)			
251	B1339533	GROMMET, COMPRESSOR (SCROLL & (QTY 4)			
301	0151G20026	VALVE, TXV (M6)			
NS	B1373315	ACCESS FITTING (QTY 2)			
NS	0159G00010	CABLE COMPR SOL (M6)			
NS	0128G00052	EVAP DRIP SHIELD			
NS	0121G00044PRF	RAIL, BASE, BENT (QTY 2)			
NS	0121G00951	RAIL, BASEPAN (QTY 4)			
NS	0121G00952	RAIL, BASEPAN SUPPORT			
NS	0163M00629	RED CAP WITH O-RING (QTY 2)			

Expanded Model Nomenclature

- | |
|------------------|
| M1 - GPCH32431AA |
| M2 - GPCH33031AA |
| M3 - GPCH33631AA |
| M4 - GPCH34231AA |
| M5 - GPCH34831AA |
| M6 - GPCH36031AA |

Control Box Assembly

CONTROL BOX ASSEMBLY



CONTROL BOX ASSEMBLY MAY DIFFER FROM WHAT IS SHOWN

Control Box Assembly

Ref. Part No:	No:	Description:	Ref. Part No:	No:	Description:
---------------	-----	--------------	---------------	-----	--------------

Image 1:

31	B1378533	LUG GROUND SMALL 4T
41	0130M00138	TRANSFORMER, 208/230, 24V
51	CONT1P030024D	CONT, 1 POLE, 30 AMP, 24VAC (M1, M2, M3, M4, M5)
51	CONT2P040024D	CONT, 2 POLE, 40 AMP, 24VAC (M6)
71	CAB050300440CS	CAP, 5/30 MFD/440V RD - BPRF (M1)
71	CAB050400440CT	CAP, 5/40 MFD/440V RD - BPRF (M2, M6)
71	CAB050450440CT	CAP, 5/45 MFD/440V RD - BPRF (M3, M4, M5)
121	20520901	CAPACITOR STRAP
141	PCBCM301V0001	PCB CONTROL AIR HANDLER
191	0130M00242	RELAY 24V (M6)

Expanded Model Nomenclature

M1 - GPCH32431AA
M2 - GPCH33031AA
M3 - GPCH33631AA
M4 - GPCH34231AA
M5 - GPCH34831AA
M6 - GPCH36031AA

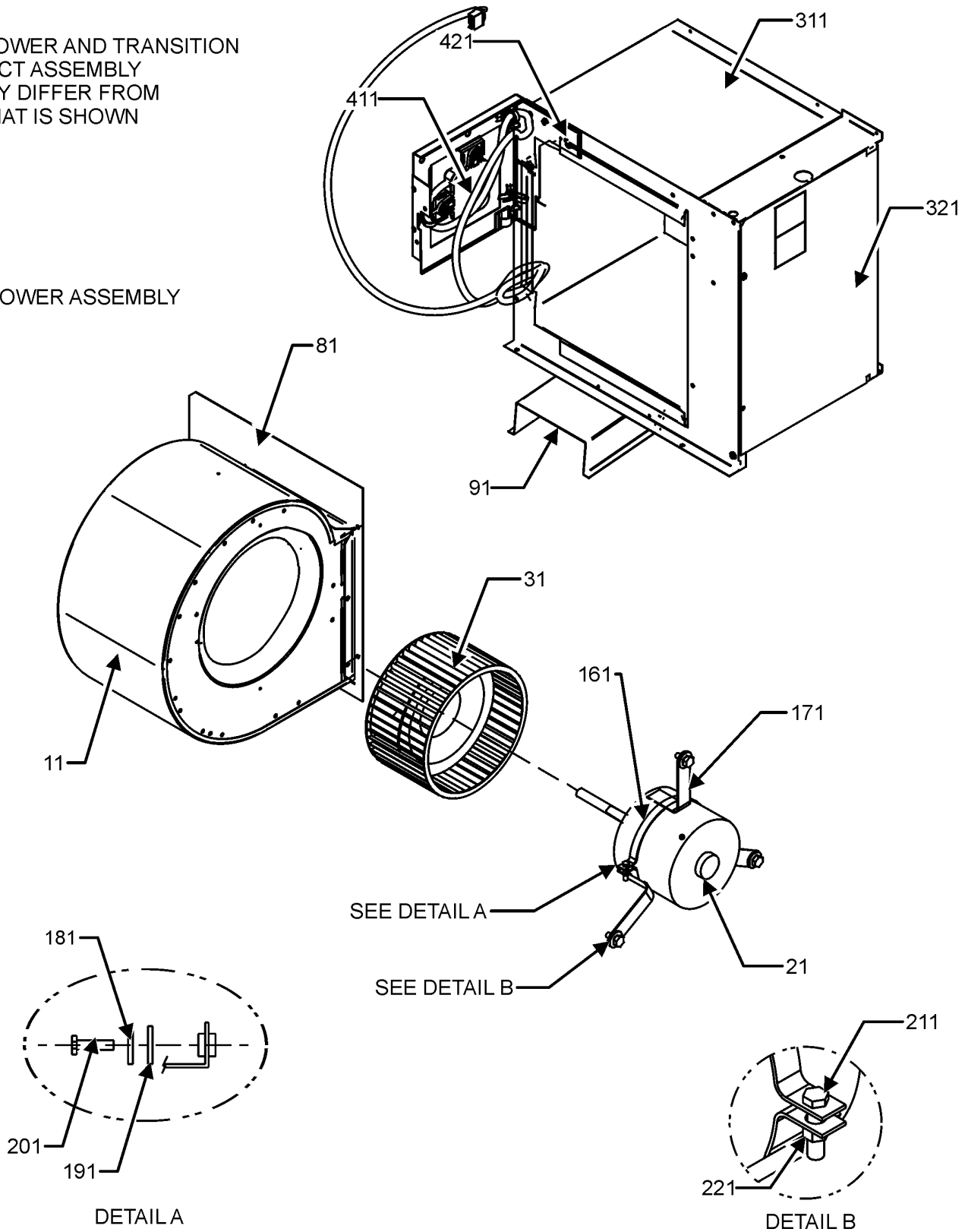
Blower and Transition Duct Assembly

BLOWER AND TRANSITION DUCT ASSEMBLY

TRANSITION DUCT ASSEMBLY

BLOWER AND TRANSITION
DUCT ASSEMBLY
MAY DIFFER FROM
WHAT IS SHOWN

BLOWER ASSEMBLY



Blower and Transition Duct Assembly

Ref. Part No:	Ref. Part No:	Description:	Description:
Image 1:			
11	0271G00355	BLOWER SHELL ASSY 11X8 (M6)	
11	10324248	HSG WELD- 10X8 BWR (M1, M2, M3, M4, M5)	
21	0131M00747M	CONTROLLERLESS MOTOR (M3, M4, M5, M6)	
21	0131M00750M	CONTROLLERLESS MOTOR (M1, M2)	
21	0131G00126	PROGRAMMED CONTROLLER (M1)	
21	0131G00129	PROGRAMMED CONTROLLER (M4)	
21	0131G20042	PROGRAMMED CONTROLLER (M2)	
21	0131G20043	PROGRAMMED CONTROLLER (M3)	
21	0131G20045	PROGRAMMED CONTROLLER (M5)	
21	0131G20046	PROGRAMMED CONTROLLER (M6)	
31	B1368016	BLOWER WHEEL 10 X 8 (M1, M2, M3, M4, M5)	
31	B1368054	BLOWER WHEEL 11 X 8 CLOCKWISE (M6)	
81	0121G00128P	MT BLOWER (M6)	
91	0121G00040P	BLOWER SUPPORT	
161	0121M00038	MOTOR MOUNT BAND	
171	0171M00012	MOTOR MOUNT ARM (M1, M2, M3, M4, M5)	
171	B1376857	MOTOR MOUNT ARM (M6)	
181	B1392820	WASHER, SPLIT LOCK 1/4 BZ (QTY 3)	
191	B1392918	WASHER, FLAT 1/4 ID X 1 OD (QTY 3)	
201	M0250565	TC SCREW 1.25" (QTY 3)	
211	B1393323	MACHINE SCREW HWH 1/4-20 X 1-1/2 BZ	
221	B1393800	LOCKNUT, NYLON, INSERT 1/4, 20	
311	0270G00629	TRANSITION DUCT ASSEMBLY	
321	0121G00934	PANEL, HK COVER	
411	SER2A08012	SENSATA R32 SENSOR	
421	0121G20000	BRACKET R32 SENSOR	
NS	C6121810	BLOWER CUT-OFF (M1, M2, M3, M4, M5)	
NS	2964700	BLOWER CUTOFF (11X8) (M6)	

Expanded Model Nomenclature

M1 - GPCH32431AA
M2 - GPCH33031AA
M3 - GPCH33631AA
M4 - GPCH34231AA
M5 - GPCH34831AA
M6 - GPCH36031AA