

Inverter Driven Heat Pump

24,000 BTU Single Zone XLTH Wall Mounted System

Job Name _____
 Location _____
 Engineer _____
 Submitted To _____
 Submitted By _____
 Reference _____

Date _____
 Approval _____
 Construction _____
 Unit No _____
 Drawing No _____

PRODUCT FEATURES

- Auto Changeover
- Weekly & 24 hr. Timer
- Auto Louver: Up/Down
- Minimum Heat Mode
- Wireless Remote Control Included
- Auto Restart
- Economy Mode
- Base Pan Heater



MODEL NUMBERS			
Indoor Unit	ASU24RLF		
Outdoor Unit	AOU24RLXFWH		
System	24RLXFWH		
EFFICIENCIES			
SEER			19.5
SEER 2			19.5
EER			12.5
EER 2			12.5
HSPF			10.5
HSPF 2			10.5
COP	kW/kW	3.8	
COP	Btu/hW	13	
COP2	kW/kW	3.8	
COP2	Btu/hW	13	
OUTDOOR TEMPERATURE OPERATION RANGE			
Cooling	*F(°C)	-5 to 115 (-21 to 46)	
Heating		-15 to 75 (-26 to 24)	
CAPACITIES			
Cooling	Rated	Btu/h	22000
	Min.-Max.		9,900-27,300
Heating	Rated		25200
	Min.-Max.		7,500-36,200
LINESET REQUIREMENTS			
Connection Method	Flare		
Liquid	in (mm)	ø3/8 (ø9.52)	
Gas		ø5/8 (ø15.88)	
Pre-charge length	ft (m)	66 (20)	
Minimum Length		16 (5)	
Max. length		164 (50)	
Max. height difference		98 (30)	
INDOOR DIMENSIONS & WEIGHT			
Net (H x W x D)	in (mm)	12-5/8 x 39-5/16 x 9 (320 x 998 x 228)	
Gross (H x W x D)		12-9/16 x 42-15/16 x 16-7/8 (319 x 1,090 x 429)	
Net Weight	lb (kg)	31 (14)	
Gross Weight		41 (18.5)	
OUTDOOR DIMENSIONS & WEIGHT			
Net (H x W x D)	in (mm)	32-11/16 x 35-7/16 x 13 (830 x 900 x 330)	
Gross (H x W x D)		39-3/8 x 41-5/16 x 17-1/2 (1,000 x 1,050 x 445)	
Net Weight	lb (kg)	134 (61)	
Gross Weight		152 (69)	

Warranty Information



7 Year Compressor, 5 Year Parts out-of-the-box Warranty

10 Year Compressor, 10 Year Parts Warranty when registered within 60 days of installation in a residence

12 Year Compressor, 12 Year Parts Warranty when registered within 60 days of installation in a residence, and installed by a Fujitsu Elite contractor

ACCESSORIES

UTY-RVNUM	Wired Remote Controller
UTY-RNNUM	Wired Remote Controller
UTY-RSNUM	Simple Remote Controller
UTY-XWZX	External Connect Kit
UTY-TTRXZ1	24 V Thermostat Converter
FJ-RC-WIFI-1BT	Intesis WiFi Module
FJ-IR-WIFI-1NA	Intesis IR WiFi Module
UTY-TFNXZ2	WiFi Interface Module



This system combination is Energy Star qualified



+App available in Apple® App Store and Google® Play Store.

Due to continuous product improvements, specifications are subject to change without notice. Please log in to the Fujitsu Portal for the most up-to-date documentation <https://connect.fujitsugeneral.com>

Effective Date: 11/4/2022

Inverter Driven Heat Pump

24,000 BTU Single Zone XLTH Wall Mounted System

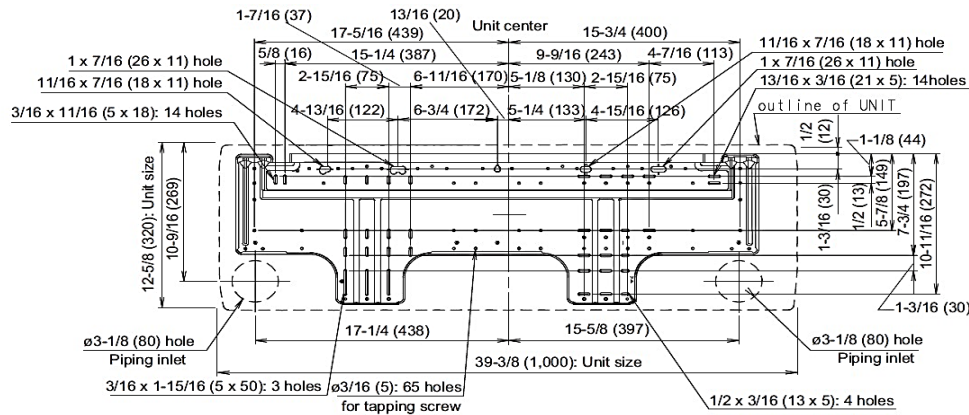
FAN DATA				
Indoor Unit Airflow rate	Cooling	HIGH	CFM (m3/h)	659 (1,120)
		MED		530 (900)
		LOW		436 (740)
		QUIET		365 (620)
	Heating	HIGH		677 (1,150)
		MED		530 (900)
		LOW		436 (740)
		QUIET		365 (620)
Outdoor Unit Airflow rate	Cooling		2,001 (3,400)	
	Heating		2,119 (3,600)	
SOUND PRESSURE				
Indoor Unit	Cooling	HIGH	dB (A)	49
		MED		42
		LOW		37
		QUIET		33
	Heating	HIGH		49
		MED		42
		LOW		37
		QUIET		33
Outdoor Unit	Cooling		54	
	Heating		55	
REFRIGERANT				
Type				R410A
Charge	lb oz			4 lb 10.1 oz
	g			2100
Oil Type				POE (RB68)

ELECTRICAL SPECIFICATIONS					
Voltage/Frequency/Phase			208/230 V ~ 60 Hz		
Available Voltage Range			187–253 V		
Current	Cooling	Rated	A	7.9	
	Heating	Rated		8.6	
Maximum Operating Current		Cooling		15	
		Heating		15.5	
Starting Current				10.5	
MCA				18	
Maximum Circuit Breaker				30	
Input Power	Cooling	Rated		kW	1.76
		Min.–Max.	0.58–3.42		
	Heating	Rated	1.94		
Min.–Max.		0.50–3.53			
Power Factor	Cooling				97
	Heating				98.1
OTHER					
Moisture Removal		pints/h (L/h)	6.3 (3.0)		
Energy Star		Yes			
Drain hose	Material		PVC		
	Tip diameter	in (mm)	Ø 15/32 (Ø 12) (I.D.), Ø 5/8 (Ø 16) (O.D.)		
Operation Range	Cooling	°F (°C)	64 to 90 (18 to 32)		
		%RH	80 or less		
	Heating	°F (°C)	88 (30) or less		

DIMENSIONS:

Units: In. (mm)

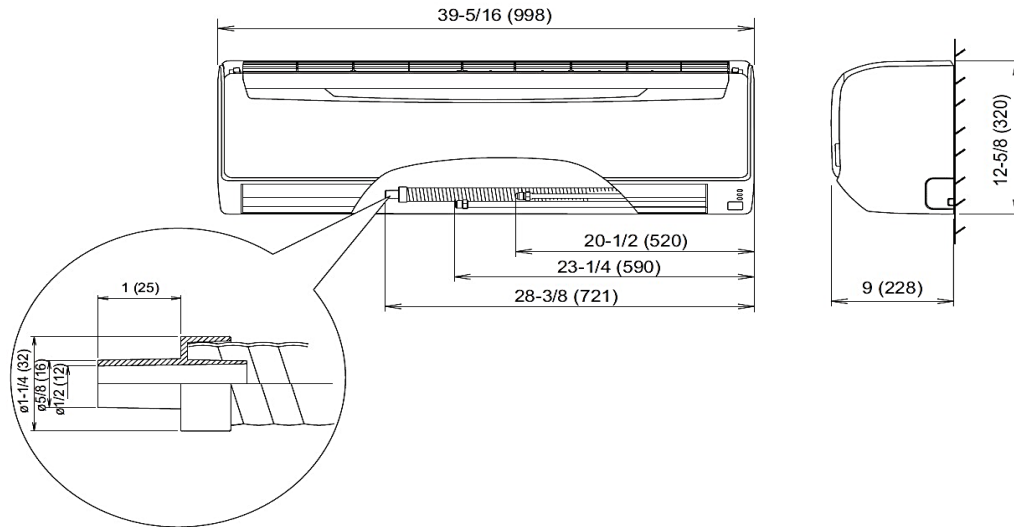
Wall Bracket Data:



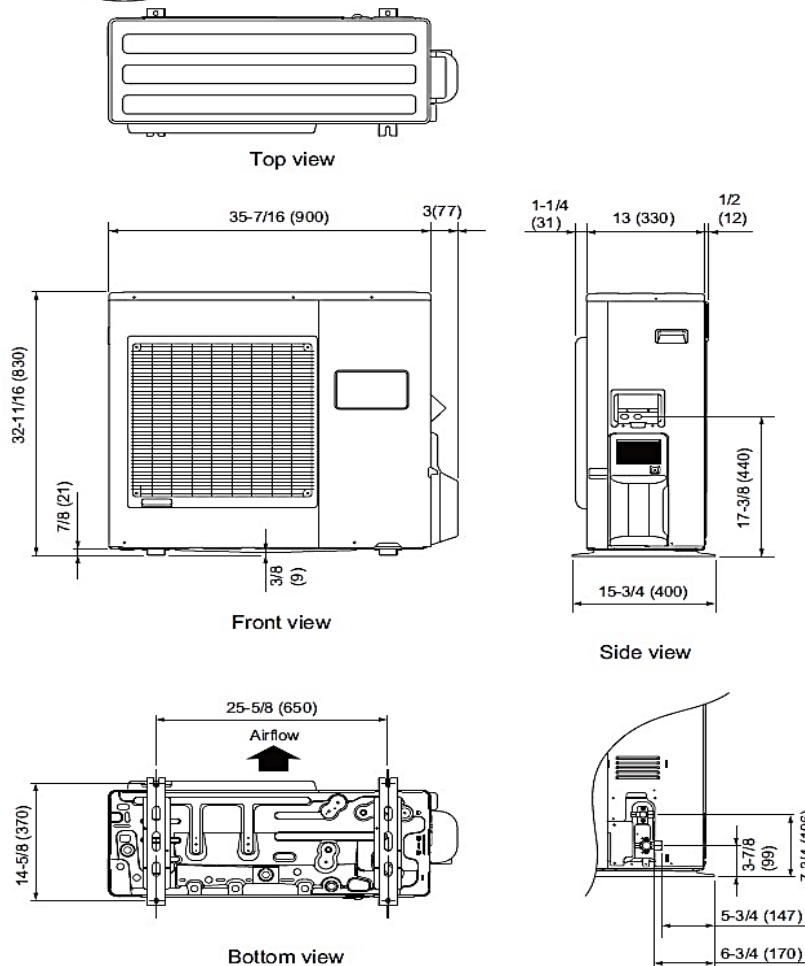
DIMENSIONS

Units: In. (mm)

Indoor Unit



Outdoor Unit



The Fujitsu logo is a worldwide trademark of Fujitsu General Limited. The Airstage logo and name is a worldwide trademark of Fujitsu General Limited and is a registered trademark in Japan, the USA and other countries or areas. Copyright 2022 Fujitsu General America, Inc. Fujitsu's products are subject to continuous improvements. Fujitsu reserves the right to modify product design, specifications and information in this brochure without notice and without incurring any obligations.

Note: Specifications are based on the following conditions:
 Cooling: Indoor temperature of 80°F (26.7°C) DB/67°F (19.4°C) WB, and outdoor temperature of 95°F (35°C) DB/75°F (23.9°C) WB. Heating: Indoor temperature of 70°F (21.1°C) DB/60°F (15.6°C) WB, and outdoor temperature of 47°F (8.3°C) DB/43°F (6.1°C) WB. Pipe length: 25ft. (7.5m), Height difference: 0ft. (0m) (Outdoor unit - indoor unit).