

Inverter Driven Heat Pump

36,000 BTU Multi Position AHU

Job Name \_\_\_\_\_  
 Location \_\_\_\_\_  
 Engineer \_\_\_\_\_  
 Submitted To \_\_\_\_\_  
 Submitted By \_\_\_\_\_  
 Reference \_\_\_\_\_

Date \_\_\_\_\_  
 Approval \_\_\_\_\_  
 Construction \_\_\_\_\_  
 Unit No \_\_\_\_\_  
 Drawing No \_\_\_\_\_

**PRODUCT FEATURES**

- Up to 1.0" WC
- 2-Wire Wired Remote Controls
- All Aluminum Coil
- Heating operation rated down to -5° F outdoor temperature
- Long Lineset Lengths (up to 230')
- Integral Electric Heat Kit (Optional)
- Low Air Leakage Rate (2% or less)



MODEL NUMBERS			
Indoor Unit	AMUG36LMAS		
Outdoor Unit	AOUG36LMAS1		
System	36LMAS1		
EFFICIENCIES			
SEER	18		
SEER 2	17.1		
EER	11.3		
EER 2	10.7		
HSPF	10.2		
HSPF 2	8.8		
COP	kw/kW	3.22	
COP	Btu/hW	11	
COP2	kw/kW	3.2	
COP2	Btu/hW	10.9	
OUTDOOR TEMPERATURE OPERATION RANGE			
Cooling	°F(°C)	14 to 115 (-10 to 46)	
Heating		-4 to 75 (-20 to 24)	
CAPACITIES			
Cooling	Rated	Btu/h	36000
	Min.-Max.		13,000-38,000
Heating	Rated		42000
	Min.-Max.		11,000-52,000
LINESET REQUIREMENTS			
Connection Method		Flare	
Liquid	in (mm)	Ø3/8 (9.52)	
Gas		Ø5/8 (15.88)	
Pre-charge length	ft (m)	98 (30)	
Minimum Length		16 (5)	
Max. length		230 (70)	
Max. height difference		98 (30)	
INDOOR DIMENSIONS & WEIGHT			
Net (H x W x D)	in (mm)	57 x 21 x 21- 11/16	
Gross (H x W x D)		57- 1/8 x 23 x 26- 1/2	
Net Weight	lb (kg)	132 (60)	
Gross Weight		146 (66)	
OUTDOOR DIMENSIONS & WEIGHT			
Net (H x W x D)	in (mm)	39-5/16 x 38-3/16 x 14-9/16	
Gross (H x W x D)		45-12/16 x 41-14/16 x 18-13/16 (1,162 x 1,064 x 478)	
Net Weight	lb (kg)	198 (90)	
Gross Weight		220 (100)	

**Warranty Information**



7 Year Compressor, 5 Year Parts out-of-the-box Warranty

10 Year Compressor, 10 Year Parts Warranty when registered within 60 days of installation in a residence

12 Year Compressor, 12 Year Parts Warranty when registered within 60 days of installation in a residence, and installed by a Fujitsu Elite contractor

**ACCESSORIES**

UTY-RNRUZ-Series	Wired Remote Controller
UTY-RSRY	Simple Remote Controller
UTY-RHRY	Simple Remote Controller
UTY-LBTUM	IR Receiver Kit with Wireless Remote Controller
UTY-XSZX	Remote Sensor Unit
UTY-XWZXZG	External Connect Kit
UTY-XCSX	External Input and Output PCB
UTY-XWZXZJ	Wire Kit
UTY-VTGX	Network Converter
UTY-TTRXZ1	Thermostat Converter

Due to continuous product improvements, specifications are subject to change without notice. Please log in to the Fujitsu Portal for the most up-to-date documentation <https://connect.fujitsugeneral.com>

Effective Date: 3/30/2023

Inverter Driven Heat Pump

36,000 BTU Multi Position AHU

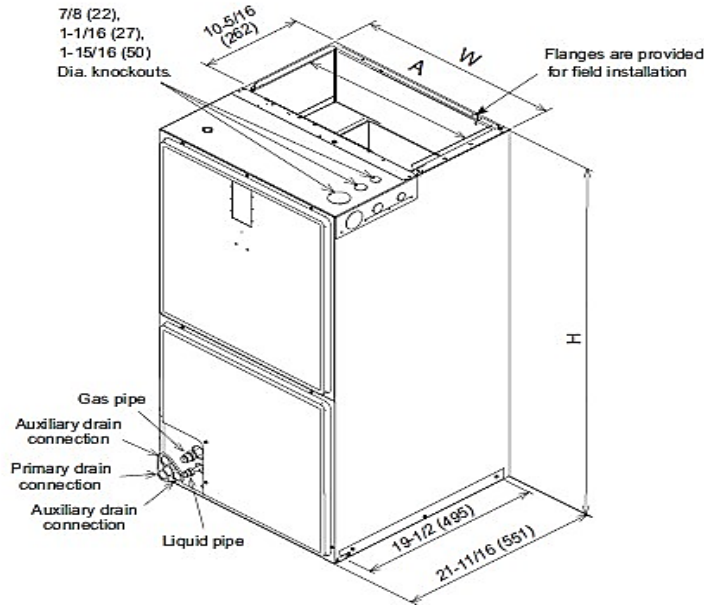
FAN DATA				
Indoor Unit Airflow rate	Cooling	HIGH	CFM (m3/h)	1,200 (2,039)
		MED		740 (1,257)
		LOW		590 (1,002)
		QUIET		490 (833)
	Heating	HIGH		1,200 (2,039)
		MED		740 (1,257)
		LOW		590 (1,002)
		QUIET		490 (833)
Outdoor Unit Airflow rate	Cooling		2,590 (4,400)	
	Heating		2,590 (4,400)	
SOUND PRESSURE				
Indoor Unit	Cooling	HIGH	dB (A)	41
		MED		30
		LOW		27
		QUIET		24
	Heating	HIGH		40
		MED		35
		LOW		28
		QUIET		26
Outdoor Unit	Cooling		53	
	Heating		54	
REFRIGERANT				
Type				R410A
Charge	lb oz			9 lb 8 oz
	g			4300
Oil Type				POE (RB68)

ELECTRICAL SPECIFICATIONS					
Voltage/Frequency/Phase		208/230 V ~ 60 Hz			
Available Voltage Range		187–253 V			
Current	Cooling	Rated	A	14.8	
	Heating	Rated		17	
Maximum Operating Current	Cooling			32.4	
	Heating			32.4	
Starting current				20.1	
MCA				39.9	
Maximum Circuit Breaker				40	
Input Power	Cooling	Rated		kW	3.36
		Min.–Max.	0.85–3.52		
	Heating	Rated	3.85		
Min.–Max.		0.67–5.39			
Power Factor	Cooling		%		98.7
	Heating				98.5
OTHER					
Moisture Removal		pints/h (L/h)	4.6 (2.2)		
Energy Star			No		
Drain hose	Material		LDPE		
	Tip diameter	in (mm)	Ø1/2 (13.0) [I.D.], Ø5/8 to Ø11/16 (16.0 to 16.7) [O.D.]		
Operation Range	Cooling	°F (°C)	64 to 90 (18 to 32)		
		%RH	–		
Static pressure range	Heating	°F (°C)	60 to 86 (16 to 30)		
		inWG (Pa)	0.08 to 1 (20 to 250)		

DIMENSIONS:

Units: In. (mm)

Indoor Unit:



Model	A (Supply duct)	W (Unit width)	H (Unit height)
AMUG36LMAS	19-1/2 (495)	21 (533)	57 (1,448)

Return Opening Dimensions	
Width	Depth
19 3/8	19 3/4



Inverter Driven Heat Pump

36,000 BTU Multi Position AHU

Electric Heat Kit

For 3 Ton System:

HEATER PART #	STAGE	VOLTAGE	PH/HZ	HEATER KW	HEATER AMPS	DESCRIPTION
RXBH-1724A03J-A	SINGLE	208/240	1/60	2.25 / 3.0	10.8 / 12.5	3 KW ELECTRIC HEAT KIT WITH BREAKER 208/230 1PH
RXBH-1724A05J-A	SINGLE	208/240	1/60	3.6 / 4.8	17.3 / 20.0	5 KW ELECTRIC HEAT KIT WITH BREAKER 208/230 1PH
RXBH-1724A07J-A	SINGLE	208/240	1/60	5.4 / 7.2	26.0 / 30.0	7 KW ELECTRIC HEAT KIT WITH BREAKER 208/230 1PH
RXBH-1724A10J-A	SINGLE	208/240	1/60	7.2 / 9.6	34.6 / 40.0	10 KW ELECTRIC HEAT KIT WITH BREAKER 208/230 1PH
RXBH-1724B05J-A	SINGLE	208/240	1/60	3.6 / 4.8	17.3 / 20.0	5 KW ELECTRIC HEAT KIT NO BREAKER 208/230 1PH
RXBH-1724B07J-A	SINGLE	208/240	1/60	5.4 / 7.2	26.0 / 30.0	7 KW ELECTRIC HEAT KIT NO BREAKER 208/230 1PH
RXBH-1724B10J-A	SINGLE	208/240	1/60	7.2 / 9.6	34.6 / 40.0	10 KW ELECTRIC HEAT KIT NO BREAKER 208/230 1PH
RXBH-1724C05J-A	SINGLE	208/240	1/60	3.6 / 4.8	17.3 / 20.0	HTR KIT-5KW 208/230/1/60 (PULL OUT DISCONNECT)
RXBH-1724C07J-A	SINGLE	208/240	1/60	5.4 / 7.2	26.0 / 30.0	HTR KIT-7KW 208/230/1/60 (PULL OUT DISCONNECT)
RXBH-1724C10J-A	SINGLE	208/240	1/60	7.2 / 9.6	34.6 / 40.0	HTR KIT-10KW 208/230/1/60 (PULL OUT DISCONNECT)

Accessories:

Model #	Description
RXHB-21	COMBUSTIBLE FLOOR BASE 21"
RXHF-21	EXTERNAL FILTER BASE FOR FAN COILS - 21"
RXBJ-A21	JUMPER BAR (USED WITH 13KW OR LARGER HEATER KIT)