

Inverter Driven Heat Pump

12,000 BTU Single Zone Floor Mount System

Job Name \_\_\_\_\_  
 Location \_\_\_\_\_  
 Engineer \_\_\_\_\_  
 Submitted To \_\_\_\_\_  
 Submitted By \_\_\_\_\_  
 Reference \_\_\_\_\_

Date \_\_\_\_\_  
 Approval \_\_\_\_\_  
 Construction \_\_\_\_\_  
 Unit No \_\_\_\_\_  
 Drawing No \_\_\_\_\_

**PRODUCT FEATURES**

- Auto Changeover
- 24 hr. Timer
- Auto Louver
- Minimum Heat Mode
- Auto Restart
- Wireless Remote Controller Included
- Powerful Mode
- Floor Level Heating



MODEL NUMBERS	
Indoor Unit	AGU12RLF
Outdoor Unit	AOU12RLFF
System	12RLFF

EFFICIENCIES		
SEER	22.7	
SEER 2	22.7	
EER	13.1	
EER 2	13.1	
HSPF	11.6	
HSPF 2	11.2	
COP	kW/kW	3.24
COP	Btu/h	11.1
COP2	kW/kW	3.24
COP2	Btu/h	11.1

OUTDOOR TEMPERATURE OPERATION RANGE	
Cooling	*F(°C) 14 to 115 (-10 to 46)
Heating	-5 to 75 (-21 to 24)

CAPACITIES			
Cooling	Rated	Btu/h	12000
	Min.-Max.		3,100-14,300
Heating	Rated	Btu/h	16000
	Min.-Max.		3,100-19,500

LINESET REQUIREMENTS	
Connection Method	Flare
Liquid	in (mm) Ø 1/4 (Ø 6.35)
Gas	in (mm) Ø 3/8 (Ø 9.52)
Pre-charge length	ft (m) 49 (15)
Minimum Length	ft (m) 10 (3)
Max. length	ft (m) 66 (20)
Max. height difference	ft (m) 49 (15)

INDOOR DIMENSIONS & WEIGHT	
Net (H x W x D)	in (mm) 23-5/8 x 29-1/8 x 7-7/8 (600 x 740 x 200)
Gross (H x W x D)	in (mm) 27-9/16 x 32-5/16 x 12-3/16 (700 x 820 x 310)
Net Weight	lb (kg) 31 (14)
Gross Weight	lb (kg) 37 (17)

OUTDOOR DIMENSIONS & WEIGHT	
Net (H x W x D)	in (mm) 24-7/16 x 31-1/8 x 11-7/16 (620 x 790 x 290)
Gross (H x W x D)	in (mm) 28-1/16 x 37-3/16 x 15-9/16 (713 x 945 x 395)
Net Weight	lb (kg) 84 (38)
Gross Weight	lb (kg) 93 (42)

**Warranty Information**



7 Year Compressor, 5 Year Parts out-of-the-box Warranty



10 Year Compressor, 10 Year Parts Warranty when registered within 60 days of installation in a residence



12 Year Compressor, 12 Year Parts Warranty when registered within 60 days of installation in a residence, and installed by a Fujitsu Elite contractor

**ACCESSORIES**

UTY-RVNUM	Wired remote controller
UTY-RNNUM	Wired remote controller
UTY-RSNUM	Simple remote controller
UTY-XWZXZ5	External Connect Kit
FJ-IR-WIFI-1NA	Intesis IR WiFi module
FJ-RC-WIFI-1BT	Intesis Wired WiFi module



This system combination is Energy Star qualified



+App available in Apple® App Store and Google® Play Store.

Due to continuous product improvements, specifications are subject to change without notice. Please log in to the Fujitsu Portal for the most up-to-date documentation <https://connect.fujitsugeneral.com>

Effective Date: 11/7/2022

Inverter Driven Heat Pump

12,000 BTU Single Zone Floor Mount System

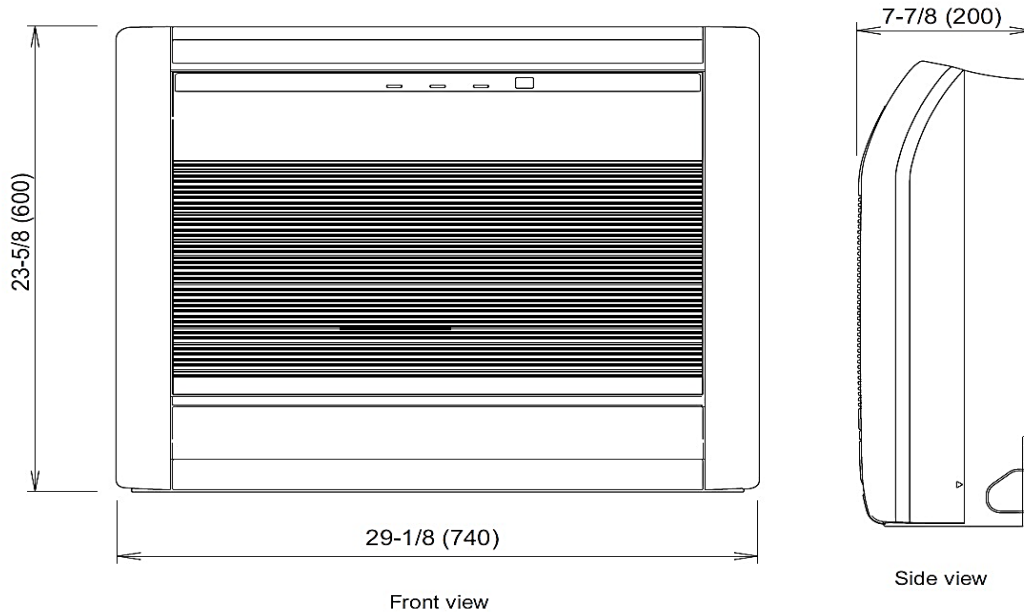
FAN DATA				
Indoor Unit Airflow rate	Cooling	HIGH	CFM (m3/h)	336 (570)
		MED		271 (460)
		LOW		212 (360)
		QUIET		159 (270)
	Heating	HIGH		353 (600)
		MED		283 (480)
		LOW		218 (370)
		QUIET		159 (270)
Outdoor Unit Airflow rate	Cooling		1,457 (2,475)	
	Heating		1,207 (2,050)	
SOUND PRESSURE				
Indoor Unit	Cooling	HIGH	dB (A)	40
		MED		35
		LOW		29
		QUIET		23
	Heating	HIGH		40
		MED		35
		LOW		29
		QUIET		23
Outdoor Unit	Cooling		53	
	Heating		52	
REFRIGERANT				
Type				R410A
Charge	lb oz			2lb 10oz
	g			1200
Oil Type				FREOL α68SZ

ELECTRICAL SPECIFICATIONS					
Voltage/Frequency/Phase		208/230 V ~60 Hz			
Available Voltage Range		187–253 V			
Current	Cooling	Rated	A	4.2	
	Heating	Rated		6.7	
Maximum Operating Current	Cooling			9.3	
	Heating			10.8	
Starting current				6.7	
MCA				10.8	
Maximum Circuit Breaker				15	
Input Power	Cooling	Rated		kW	0.91
		Min.–Max.	0.20–2.05		
	Heating	Rated	1.44		
		Min.–Max.	0.20–2.62		
Power Factor	Cooling			94.2	
	Heating			93.4	
OTHER					
Moisture Removal		pints/h (L/h)	3.8 (1.8)		
Energy Star		Yes			
Drain hose	Material		PP + LLDPE		
	Tip diameter	in (mm)	Ø 9/16 (Ø 13.8) (I.D.), Ø 5/8 to Ø 11/16 (Ø 15.8 to Ø 16.7) (O.D.)		
Operation Range	Cooling	°F (°C)	64 to 90 (18 to 32)		
		%RH	80 or less		
	Heating	°F (°C)	60 to 88 (16 to 30)		

DIMENSIONS:

Units: In. (mm)

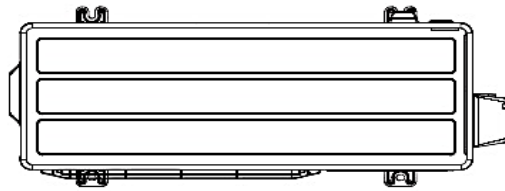
Indoor Unit:



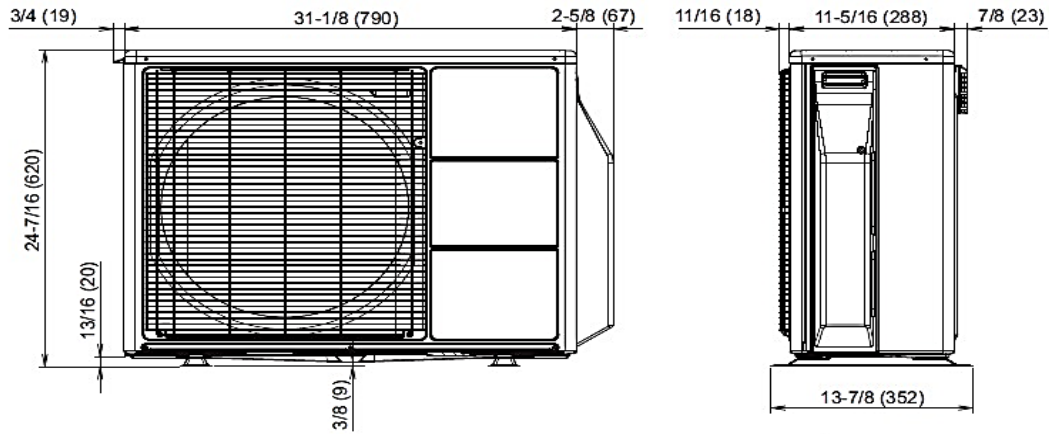
DIMENSIONS

Units: In. (mm)

Outdoor Unit

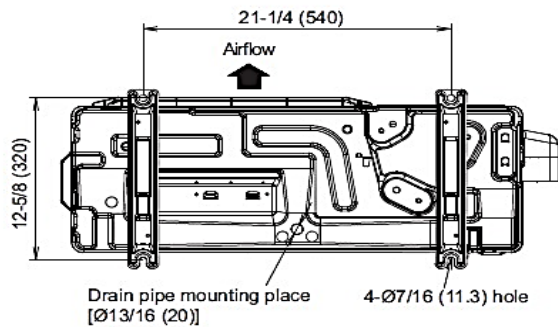


Top view

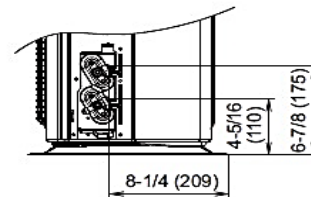


Front view

Side view



Bottom view



The Fujitsu logo is a worldwide trademark of Fujitsu General Limited. The Airstage logo and name is a worldwide trademark of Fujitsu General Limited and is a registered trademark in Japan, the USA and other countries or areas. Copyright 2022 Fujitsu General America, Inc. Fujitsu's products are subject to continuous improvements. Fujitsu reserves the right to modify product design, specifications and information in this brochure without notice and without incurring any obligations.

Note: Specifications are based on the following conditions:  
 Cooling: Indoor temperature of 80°F (26.7°C) DB/67°F (19.4°C) WB, and outdoor temperature of 95°F (35°C) DB/75°F (23.9°C) WB. Heating: Indoor temperature of 70°F (21.1°C) DB/60°F (15.6°C) WB, and outdoor temperature of 47°F (8.3°C) DB/43°F (6.1°C) WB. Pipe length: 25ft. (7.5m), Height difference: 0ft. (0m) (Outdoor unit – indoor unit).