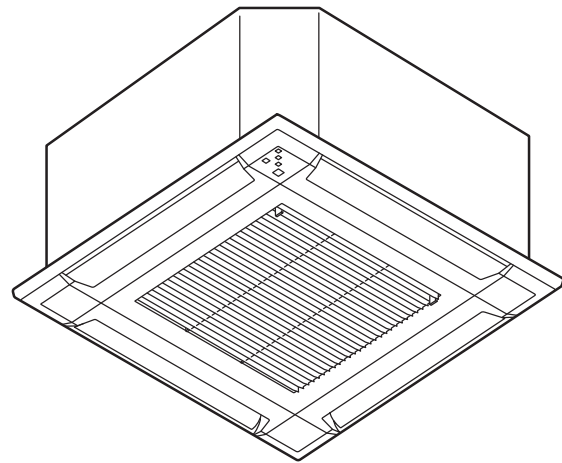


OPERATION MANUAL

AIR CONDITIONER
Cassette type



MODEL:

- * Write down the model name.
(Refer to the rating label.)
- * Inscrivez le nom du modèle.
(Consultez l'étiquette de côte.)
- * Anote el nombre del modelo.
(Consulte la etiqueta de clasificación.)

Before using this product, read these instructions thoroughly and keep this manual for future reference.

Avant d'utiliser cet appareil, lisez attentivement ces instructions et conservez ce manuel pour toute référence future.

Antes de utilizar este producto, lea atentamente estas instrucciones y conserve este manual para futuras consultas.



Contents

1. SAFETY PRECAUTIONS.....	1
2. NAME OF PARTS	2
3. BASIC OPERATIONS	2
4. AIRFLOW SETTINGS	3
4.1. Fan speed setting.....	3
4.2. Airflow direction setting	3
5. TIMER OPERATIONS	3
5.1. On timer or Off timer.....	3
5.2. Weekly timer.....	3
5.3. Program timer.....	4
5.4. Sleep timer	4
6. ENERGY SAVING OPERATIONS	4
6.1. Economy operation	4
6.2. Fan control for energy saving.....	4
7. OTHER OPERATIONS	4
7.1. Minimum heat operation.....	4
8. CLEANING AND CARE.....	4
9. GENERAL INFORMATION	5
10. OPTIONAL PARTS	6
10.1. Remote control	6
10.2. Multiple remote controller	6
10.3. Group control.....	6
10.4. Multi-split type air conditioner.....	6
11. TROUBLESHOOTING	7

The warranty card is included with the outdoor unit.
It is also available on our website.
(www.fujitsu-general.com/us/)

1. SAFETY PRECAUTIONS

To prevent personal injury or property damage, read this section carefully before you use this product, and be sure to comply with the following safety precautions.

Incorrect operation due to failure to follow the instructions may cause harm or damage, the seriousness of which is classified as follows:

WARNING

This mark warns of death or serious injury.

CAUTION

This mark warns of injury or damage to property.



This mark denotes an action that is PROHIBITED.



This mark denotes an action that is COMPULSORY.



WARNING



- This product contains no user-serviceable parts. Always consult authorized service personnel for repairing, installation, and relocation of this product. Improper installation or handling will cause leakage, electric shock, or fire.
- In the event of a malfunction such as burning smell, immediately stop operation of the air conditioner, and disconnect all the power supply by turning off the electrical breaker or disconnecting the power plug. Then consult authorized service personnel.
- Take care not to damage the power supply cable. If it is damaged, it should be replaced only by the authorized service personnel in order to avoid a hazard.
- If a refrigerant leakage is suspected, all naked flames shall be removed or extinguished, and consult authorized service personnel.
- In the event of a thunder storm or any prior sign of a lightning strike, turn off the air conditioner via the remote controller, and refrain from touching the product or the power source to prevent any electrical hazards.
- This product is not intended for use by persons (including children) with reduced physical, sensory or mental capabilities, or lack of experience and knowledge, unless they have been given supervision or instruction concerning use of this product by a person responsible for their safety. Children should be supervised to ensure that they do not play with this product.
- Dispose of the packing materials safely. Tear and dispose of the plastic packing bags so that children cannot play with them. There is the danger of suffocation if children play with the original plastic bags.



- Do not start or stop the operation of this product by turning on or off the circuit breaker.
- Do not use flammable gases near this product.
- Do not expose yourself directly to the cooling airflow for many hours.
- Do not insert your fingers or any other objects into outlet port or air intake grille.
- Do not operate with wet hands.



CAUTION



- Provide occasional ventilation during use.
- Before cleaning this product, be sure to turn it off and disconnect all the power supply.
- Always operate this product with air filters installed.
- Ensure that any electronic equipment is at least 40 in (1 m) away from this product.
- Disconnect all the power supply when not using this product for extended periods.
- After a long period of use, ensure to get the mounting of the indoor unit checked to prevent this product from falling down.
- The airflow direction and the room temperature should be carefully considered when you use this product in a room with infants, children, elderly or sick persons.
- Keep the surroundings of the outdoor unit clean and tidy, and do not place items around it. Any objects blocking or entering from the outlet ports may cause product malfunction.

⚠ CAUTION

- Do not direct the airflow at fireplaces or heating apparatus.
- Do not block or cover the outlet port and air intake grille.
- Do not apply any heavy pressure to radiator fins.
- Do not climb on, place objects on, or hang objects from this product.
- Do not place any other electrical products or household belongings under this product. Dripping condensation from this product might get them wet, and may cause damage or malfunction of your property.
- Do not expose this product directly to water.
- Do not use this product for preservation of food, plants, animals, precision equipment, art work, or other objects. This may cause quality deterioration of those items.
- Do not expose animals or plants to the direct airflow.
- Do not drink the drainage from the air conditioner.
- Do not touch the aluminum fins of heat exchanger built-in this product to avoid personal injury when you maintain the unit.
- Do not stand on unstable steps when operating or cleaning this product. It may overturn and can cause injury.

This product contains fluorinated greenhouse gases.

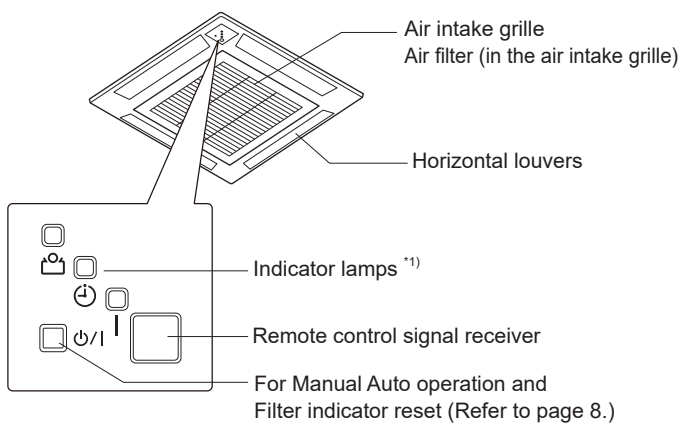
2. NAME OF PARTS

The remote controller is optional. You can select from the following types of remote control.

- Wireless remote controller
- Wired remote controller
- Wireless LAN control

To check the available model of remote control, consult authorized service personnel.

For detailed instructions on how to operate, refer to the operation manual of the remote controller.



*1) Indicator lamps light in the following conditions.

	Name	Color	Operation or condition
	Operation	Green	Normal operation
🕒	Timer	Orange	Timer operation *2)
🏠	Economy	Green	Economy operation Minimum heat operation *2)

*2) The lamp lights only when the operation is set from the wireless remote controller.

3. BASIC OPERATIONS

NOTE: For detailed instructions on how to operate, refer to the operation manual of the remote controller.

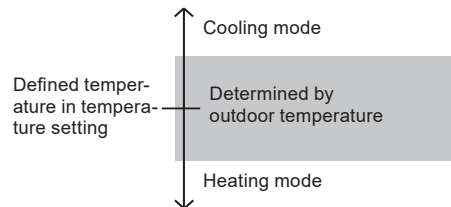
The operation mode and the temperature setting range are shown in the following table.

Operation mode	Temperature setting range
Auto/Cooling/Dry	64 - 88 °F (18.0 - 30.0 °C)
Heating	60 - 88 °F (16.0 - 30.0 °C)

■ Auto mode

The air conditioner selects the appropriate operation mode (Cooling or Heating) according to your room's present temperature.

Room temperature	Operation
Higher than the setting temperature	Cooling
Close to the setting temperature	Determined by outdoor temperature
Lower than the setting temperature	Heating



When Auto mode is first selected, the fan will operate at low speed for about a few minutes, during which time the indoor unit detects the room conditions and selects the operation mode.

When the air conditioner has adjusted your room's temperature to near the thermostat setting, it will begin monitor operation.

In the monitor operation mode, the fan will operate at low speed. If the room temperature subsequently changes, the air conditioner will once again select the appropriate operation (Heating, Cooling) to adjust the temperature to the value set in the thermostat.

If the mode automatically selected by the unit is not what you wish, select one of the mode operations (Heating, Cooling, Dry, Fan).

■ Cooling mode

Use to cool your room.

NOTE: Set the temperature lower than the current room temperature.

■ Dry mode

Use for gently cooling while dehumidifying your room.

NOTES:

- You cannot heat the room.
- Set the temperature lower than the current room temperature, otherwise, the operation will not operate.
- The unit will operate at low speed in order to adjust room humidity. The indoor unit's fan may stop from time to time. Also, the fan may operate at very low speed when adjusting room humidity.
- The fan speed cannot be changed manually.

■ Fan mode

Use to circulate the air throughout your room.

NOTE: You cannot set the temperature.

■ Heating mode

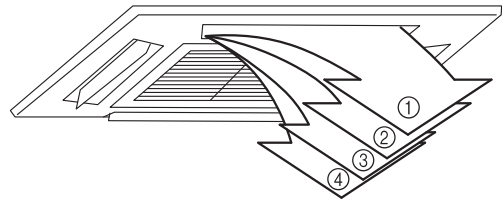
Use to warm your room.

NOTES:

- Set the temperature higher than the current room temperature.
- At the beginning of the operation, the indoor unit fan rotates at very low speed for 3-5 minutes.
- The Automatic defrosting operation overrides the Heating operation when necessary.
- After the start of Heating operation, it takes sometime before the room gets warmer.

■ Up/down airflow direction

Comfortable airflow spread to every corner of the room by the wide up/down airflow.



Change manually	1	↔	2	↔	3	↔	4
Swing operation	1	↔					4

NOTES:

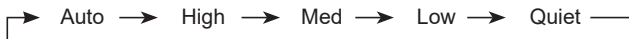
- Do not adjust the louvers by hand. It could result in improper operation. In this case, stop operation and restart. The louvers should begin to operate properly again.
- Even if the airflow direction is set, it may operate at a different position in the following operation.
 - at the start of the Heating operation (position 1)
 - during the Automatic defrosting operation
 - at the start of the Auto mode operation (position 1 or 4)
- When used in a room with infants, children, elderly or sick persons, the air direction and room temperature should be considered carefully when making settings.

4. AIRFLOW SETTINGS

NOTE: For detailed instructions on how to operate, refer to the operation manual of the remote controller.

4.1. Fan speed setting

The fan speed changes as follows.



When Auto is selected, the fan speed is automatically adjusted according to the operation mode.

- Heating: The fan will operate at very low speed when the temperature of the air issued from the indoor unit is low.
- Cooling: As the room temperature approaches the set temperature, the fan speed becomes lower.
- Fan: The fan runs at low speed.

The fan will operate at a very low speed during monitor operation and at the start of the heating mode.

When Quiet is selected, Super Quiet operation begins. The indoor unit's airflow will be reduced for quieter operation.

- The Super Quiet operation cannot be used during the Dry mode. (It includes the Dry mode selected during the Auto mode operation.)
- During the Super Quiet operation, heating and cooling performance will be reduced somewhat. If the room does not warm up/ cool down when using the Super Quiet operation, adjust the indoor unit's fan speed.

4.2. Airflow direction setting

You can set the following items.

- Up/down airflow direction setting
- Swing operation setting (up/down)

NOTE: The Swing operation may stop temporarily when the indoor unit fan is rotating at very low speed or is stopped.

5. TIMER OPERATIONS

NOTE: For detailed instructions on how to operate, refer to the operation manual of the remote controller.

5.1. On timer or Off timer

NOTE: Depending on the remote controller, this function may not be available.

The On timer starts the operation at your desired time.

The Off timer stops the operation at your desired time.

5.2. Weekly timer

NOTE: Depending on the remote controller, this function may not be available.

The Weekly timer enables you to set operation schedules for each day of the week.

Use the Day off setting to switch off timed operation for a selected day in the coming week. Because all days can be set together, the weekly timer can be used to repeat the timer settings for all of the days.

Temperature setting range

Auto, Cooling,	64-88 °F (18.0-30.0 °C)
or Dry mode:	*Even if you set to 50, 60-63 °F (10, 16.0-17.5 °C), the air conditioner will run at 64 °F (18.0 °C).
Heating mode:	50 or 60-88 °F (10 or 16.0-30.0 °C)

- The operation modes will be the same as the mode at the last time operation was stopped. So Cooling → Heating → Cooling → Heating type of operations cannot be set automatically.
- If you set the On timer and Off timer on the same time, the On timer will work.
- If two On timers are set on the same time, the air conditioner will run in the order of the program number.
- You cannot the Weekly timer and the other timers simultaneously. If you use the On/Off timer, the Program timer, or the Sleep timer while the Weekly timer is activated, the Weekly timer will be deactivated. In such a case, activate the Weekly timer after the other timer finishes.

5.3. Program timer

NOTE: This function is available only when using the wireless remote controller.

The Program timer operates as the combination of the On timer and Off timer.

You can set the Program timer only within a span of 24 hours.

5.4. Sleep timer

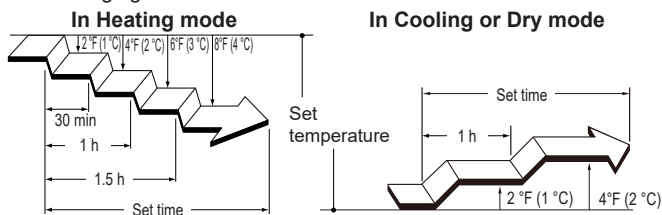
NOTE: This function is available only when using the wireless remote controller.

The Sleep timer supports your comfortable sleep by moderating the air conditioner operation gradually.

The time setting of the Sleep timer changes as follows:



During the Sleep timer operation, the setting temperature changes as the following figure.



After the set time has elapsed, the air conditioner operation turns off.

6. ENERGY SAVING OPERATIONS

NOTE: For detailed instructions on how to operate, refer to the operation manual of the remote controller.

6.1. Economy operation

NOTE: Depending on the remote controller, this function may not be available.

It saves more electricity than other operation modes by changing the set temperature to a moderate setting.

Operation mode	Room temperature
Cooling/Dry	Few degrees higher than the set temperature
Heating	Few degrees lower than the set temperature

During the Economy operation, [] indicator on the indoor unit will turn on.

NOTES:

- In the Cooling, Heating, or Dry mode, the maximum output of this operation is approximately 70 % of usual operation. If the room is not cooled or heated well during the Economy operation, select normal operation.
- This operation cannot be performed during the temperature monitoring by the Auto mode.
- In the multi-split type air conditioner, the Economy operation mode is only available for the set indoor unit.

6.2. Fan control for energy saving

NOTE: Depending on the remote controller, this setting cannot be changed.

In the Cooling or Dry operation, when the room temperature reaches the set temperature, the indoor unit fan rotates intermittently to save power.

This function is deactivated at the time of purchase.

To change the setting, refer to the operation manual of the remote controller.

Even if the setting is changed, if the fan speed is set to Auto in Cooling or Dry mode, this function still works to suppress the diffusion of circulated indoor humidity.

7. OTHER OPERATIONS

NOTE: For detailed instructions on how to operate, refer to the operation manual of the remote controller.

7.1. Minimum heat operation

NOTE:

- This function is available only by wireless remote controller.

Minimum heat operation maintains the room temperature at 50 °F (10 °C) so as to prevent the room temperature to drop too low.

- When activated, [] indicator on the indoor unit will turn on.
- When deactivated, [] indicator will turn off.

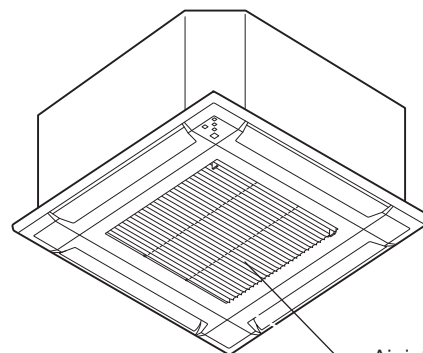
NOTES:

- During the Minimum heat operation, only the up/down airflow setting is valid.
- When the room temperature is warm enough, this operation will not be performed.
- In the multi-split type air conditioner, the room temperature will rise higher than 50 °F (10 °C) if the other indoor units operate at Heating mode. When using the Minimum heat operation, we recommend that setting all indoor units at Minimum heat operation.

8. CLEANING AND CARE

CAUTION

- Before cleaning the indoor unit, be sure to turn it off and disconnect all the power supply.
- The fan operates at high speed inside the unit, and could result in personal injury.
- Be careful not to drop the intake grille.
- If the filter cleaning involves high-place work, consult the professional technical service personnel.
- Do not expose the indoor unit to liquid insecticides or hair sprays.
- Do not stand on slippery, uneven or unstable surfaces when you maintain the unit.



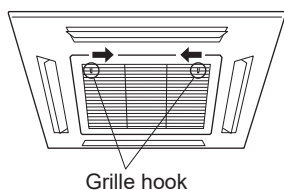
- Air intake grille
- Air filter (in the air intake grille)

The indoor unit's intake grille can be removed for easy cleaning and maintenance.

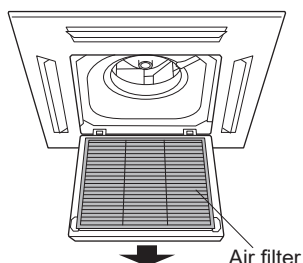
When cleaning the unit, do not use water hotter than 104 °F (40 °C), harsh abrasive cleansers, or volatile agents like benzene or thinner.

Cleaning air filter

- 1 Push the intake grille's hooks inward towards the center of the unit to open the intake grille.



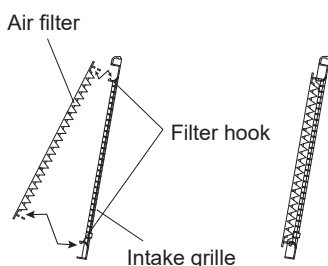
- 2 Pull out the filter from the intake grille.



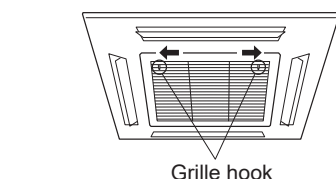
- 3 Remove the dust in either of the following ways.
 - Cleaning with vacuum cleaner.
 - Washing with mild detergent and warm water. After washing, dry the air filters thoroughly in shade.

- 4 Re-attach the air filters to the intake grille.

- (1) Replace the air filter into its holder.
- (2) Make sure that the air filter makes contact with the filter stopper when it is replaced into its holder.



- 5 Close the intake grille and push the intake grille's hooks outward.



NOTE: If dirt accumulates on the air filter, airflow will be reduced, operating efficiency will lower, and the noise will increase.

After extended non-use of the unit

If you do not use this product for 1 month or more, perform the Fan mode operation for half a day to dry the internal parts thoroughly before you perform normal operation.

Additional inspection

After long period of use, accumulated dust inside the indoor unit may reduce the product performance even if you have maintained the unit with instructed daily care or cleaning procedures written in this manual.

In such a case, a product inspection is recommended.

For more information, consult authorized service personnel.

Filter indicator reset (Special setting)

This function can be used if set correctly during installation. Consult authorized service personnel in order to use this function.

- ☞ Clean the air filter when the indicator lamp shows the following:

Indicator lamp	Blinking pattern
	Blinks 3 times, at intervals of 21 seconds

After cleaning, reset the filter indicator by pushing ϕ /I on the indoor unit for 2 seconds or less.

9. GENERAL INFORMATION

Inverter

On start-up, the air conditioner will operate at maximum capacity to bring the room quickly down to desired temperature.

Once the room temperature reaches to the set temperature, the air conditioner will reduce its capacity and energy usage to the minimum capacity and input ratings.

Heating performance

This air conditioner operates on the heat-pump principle, absorbing heat from air outdoors and transferring that heat to the indoor unit. As a result, the operating performance is reduced as outdoor air temperature drops.

If you feel that the heating performance is insufficient, we recommend you to use this air conditioner in conjunction with other kinds of heating appliance.

Consult with your installation technician to ensure the unit is correctly sized for the room space required.

Heat-pump air conditioners heat your entire room by recirculating air throughout the room, with the result that some time may be required after first starting the air conditioner until the room is heated.

Automatic defrosting operation

When outdoor temperature is very low with high humidity, frost may form on the outdoor unit during the heating operation, and it could reduce the operating performance of the product.

For frost protection, an automatic defrosting function is equipped in this air conditioner.

If frost forms, the air conditioner will temporarily stop, and defrost circuit will operate briefly (maximum of 15 minutes.)

[] indicator on the indoor unit blinks during this operation.

If frost forms on the outdoor unit after the Heating operation, the outdoor unit will stop automatically after it operates for a few minutes. Then the Automatic defrosting operation starts.

Auto restart function

In event of power interruption such as a blackout, the air conditioner stops once. But it restarts automatically and performs previous operation when the power supply is resumed.

If any power interruption occurs after the timer is set, counting down of the timer will be reset.

After the power supply is resumed, [] indicator on the indoor unit blinks to notify you that there has been a timer fault. In such a case, reset the clock and timer settings.

Malfunctions caused by other electrical devices

Use of other electrical appliances such as an electric shaver or nearby use of a wireless radio transmitter may cause the malfunction of the air conditioner.

If you encounter such a malfunction, disconnect the power supply once. Then reconnect it, and resume operation by using the remote controller.

Indoor unit temperature and humidity range

Permissible ranges of temperature and humidity are as follows:

Indoor temperature	Cooling/Dry	[°F (°C)]	64 to 89 (18 to 32)
	Heating	[°F (°C)]	60 to 86 (16 to 30)
Indoor humidity		[%]	80 or less *1)

*1) If the air conditioner is used continuously for many hours, water may condense on the surface and drip.

- If the unit is operated under the conditions except the permissible temperature range, the air conditioner operation may stop because of the automatic protection circuit working.
- Depending on the operating conditions, the heat exchanger may freeze, causing water leakage or other malfunctions. (in the Cooling or Dry mode).

■ When indoor and outdoor temperatures are high

When both indoor and outdoor temperatures are high during use of the Heating mode, the outdoor unit's fan may stop at times.

■ Low ambient cooling

When the outdoor temperature drops, the outdoor unit's fans may switch to low speed, or one of the fans may stop intermittently.

■ Other information

- Do not use the air conditioner for any purpose other than room cooling/dry, room heating or fan.
- For the permissible ranges of temperature and humidity for the outdoor unit, refer to the outdoor unit installation manual.
- During the Heating mode, the top of the indoor unit may become warm, but this is due to the fact that coolant is circulated through the indoor unit even when it is stopped; it is not a malfunction.



■ Emergency heat (Special setting)

An auxiliary heater can be used instead of the outdoor unit if the auxiliary heater is connected and the function is set correctly during installation.

Consult authorized service personnel to use this function.

<To activate/deactivate this function>

When using the wired remote controller, follow the operation manual of the wired remote controller.

When using the wireless remote controller, press   on the indoor unit for 2 seconds or less during the Heating operation.

During the Emergency heat operation, [] indicator lamp will blink (3 seconds on, 1 second off).

10. OPTIONAL PARTS

10.1. Remote control

The remote controller is optional. You can select from the following types of remote control.

- Wireless remote controller
- Wired remote controller
- Wireless LAN control

To check the available model of remote controller, consult authorized service personnel.

NOTE: Depending on the remote control, some function may be restricted. Refer to the operation manual of the remote controller or WLAN adapter for details.

You can use both wireless and wired remote controller together.

However, some functions of the wireless remote controller may be restricted.

If you set the restricted functions, beeping sound will be heard, [], [], and [] indicator on the indoor unit will blink.

You can use wired remote controller and wireless LAN control together.

However, some operations from the mobile app are restricted.

Firmware update

When using the wireless LAN control, the firmware will be updated as necessary.



CAUTION

Do not pull out the power plug nor turn off the circuit breaker during the firmware update of the indoor unit or WLAN adapter. It may cause malfunction.

For WLAN adapter

The firmware of the WLAN adapter may be updated automatically.

During the updating, you cannot operate the air conditioner from the mobile app. It will take for a maximum of 5 minutes.

For indoor unit

The firmware of the indoor unit may be updated. You can set the schedule of the updating or update the firmware manually from the mobile app. For details, refer to the operation manual for the mobile app.

During the updating, the indicator lamps blink and the air conditioner stops the operation. (Refer to "State of indicator lamps".) It will take for a maximum of 30 minutes.

10.2. Multiple remote controller

You can connect two wired remote controllers to one air conditioner. Either remote controller can control the air conditioner. However, the timer functions cannot be used by the secondary unit.

10.3. Group control

One wired remote controller can control up to 16 air conditioners. All of the air conditioners will be operated with the same settings.

You cannot use group control and wireless LAN control together.

10.4. Multi-split type air conditioner

This indoor unit can be connected to a multi-split type outdoor unit. The multi-split type air conditioner allows multiple indoor units to be operated in multiple locations. The indoor units may be operated simultaneously, in accordance with their respective output.

Simultaneous Use of Multiple Units

- When using a multi-split type air conditioner, the multiple indoor units can be operated simultaneously, but when 2 or more indoor units of the same group are operated simultaneously, the heating and cooling efficiency will be less than when a single indoor unit is used alone. Accordingly, when you wish to use more than 1 indoor unit for cooling at the same time, the use should be concentrated at night and other times when less output is required. In the same way, when multiple units are used simultaneously for heating, it is recommended that they be used in conjunction with other auxiliary space heaters, as required.
- Seasonal and outdoor temperature conditions, the structure of the rooms and the number of persons present may also result in differences of operating efficiency. We recommend that you try various operating patterns in order to confirm the level of heating and cooling output provided by your units, and use the units in the way that best matches your family's lifestyle.
- If you discover that 1 or more units delivers a low level of cooling or heating during simultaneous operation, we recommend that you stop simultaneous operation of the multiple units.
- Operation cannot be done in the following different operating modes.
 - If the indoor unit is instructed to do an operating mode that it cannot perform, [] indicator on the indoor unit will blink (1 second on, 1 second off) and the unit will go into the standby mode.
 - Heating mode and Cooling mode (or Dry mode)
 - Heating mode and Fan mode
- Operation can be done in the following different operating modes.
 - Cooling mode and Dry mode
 - Cooling mode and Fan mode
 - Dry mode and Fan mode
- The operating mode (Heating mode or Cooling (Dry) mode) of the outdoor unit will be determined by the operating mode of the indoor unit that was operated first. If the indoor unit was started in the Fan mode, the operating mode of the outdoor unit will not be determined.

For example, if indoor unit (A) was started in the Fan mode and then indoor unit (B) was then operated in the Heating mode, indoor unit (A) would temporarily start operation in the Fan mode but when indoor unit (B) started operating in the Heating mode, [] indicator for indoor unit (A) would begin to blink (1 second on, 1 second off) and it would go into standby mode. Indoor unit (B) would continue to operate in Heating mode.

11. TROUBLESHOOTING



WARNING

- !** In following events, immediately stop operation of the air conditioner, and disconnect all the power supply by turning off the electrical breaker or disconnecting the power plug. Then consult your dealer or authorized service personnel.

As long as the unit is connected to the power supply, it is not insulated from the power supply even if the unit is turned off.

- Unit smells of something burning or emits smoke
- Water leaks from the unit

Does not operate at all.

- Has there been a power outage?
In this case, the unit restarts automatically after the power supply is resumed. (Refer to **page 5**.)
- Has the circuit breaker been turned off?
⇒ Turn on the circuit breaker.
- Has a fuse blown out or the circuit breaker been tripped?
⇒ Replace the fuse or reset the circuit breaker.
- Is the timer operating?
⇒ To check or deactivate the timer setting, Refer to the operation manual of the remote controller.
- <When using the wireless LAN control> Is the WLAN adapter in a firmware update?
During the firmware update of the WLAN adapter, you cannot operate the air conditioner from the mobile app. Operate from the remote controller or wait until the update is complete (for a maximum of 5 minutes).
- <When using the wireless LAN control> Is the indoor unit in a firmware update?
During the firmware update of the indoor unit, the air conditioner stops the operation. Wait until the update is complete. (for a maximum of 30 minutes).

Poor cooling or heating performance.

- Is the unit operating under the conditions except the permissible temperature range?
In this case, the air conditioner may stop because of the automatic protection circuit working.
- Is the air filter dirty?
⇒ Clean the air filter. (Refer to **page 5**.)
- Is the intake grille or outlet port of indoor unit blocked?
⇒ Remove the obstructions.
- Is the room temperature adjusted appropriately?
⇒ To change the setting temperature, refer to the operation manual of the remote controller.
- Is a window or door left opened?
⇒ Close the window or the door.
- Is the fan speed set to Quiet?
⇒ To change the fan speed, refer to the operation manual of the remote controller.
- <In the Cooling mode> Is direct or strong sunlight shining into the room?
⇒ Close the curtains.
- <In the Cooling mode> Are there other heating apparatus or computers operating, or too many people in the room?
⇒ Turn the heating apparatus or computers off, or set the temperature lower.

Airflow is weak or stops.

- Is the fan speed set to Quiet?
⇒ To change the fan speed, refer to the operation manual of the remote controller.
- Has the Fan control for energy saving set? In this case, the indoor unit fan may stop temporarily while the Cooling operation.
⇒ To cancel the Fan control for energy saving, refer to the operation manual of the remote controller.
* This function cannot be deactivated when the fan speed is set to Auto.
- <In the Heating mode> Have you just started the operation?
In this case, the fan rotates at very low speed temporarily to warm up the internal parts of the unit.
- <In the Heating mode> Is the room temperature higher than the set temperature?
In this case, the outdoor unit stops and the indoor unit fan rotates at very low speed.
- <In the Heating mode> Is the Automatic defrosting operation working? In this case, the indoor unit stops for maximum of 15 minutes. (Refer to **page 5**.)
- <In the Dry mode> The indoor unit operates at low fan speed to adjust the room humidity, and may stop from time to time.
- <In the Auto mode> While the monitoring operation, the fan rotates at very low speed.
- <In multi-split connection> Are multiple units set in different operation mode as shown below?
In this case, the units set afterward will stop and [] indicator will blink.
 - Heating mode and other mode

Airflow direction does not change according to the setting or does not change at all.

- <In the Auto mode> In the Auto mode, the airflow direction is set automatically.
- <In the Heating mode> Have you just started the operation?
In this case, the airflow direction keeps the default position for a while.
- <In the Heating mode> During the Automatic defrosting operation, the airflow direction is set automatically.

Humidity does not drop.

- <In the Dry operation> If the setting temperature is high, the humidity may not drop.
⇒ To lower the humidity, lower the setting temperature.

Noise is heard.

- Is the unit operating, or immediate after stopping operation?
In this case, refrigerant flowing sound may be heard. It may be particularly noticeable for 2-3 minutes after starting operation.
- Do you hear a slight squeaking sound during the operation?
This sound is produced by the minute expansion and contraction of the front panel caused by temperature change.
- <In the Heating mode> Do you hear a sizzling sound?
This sound is produced by the Automatic defrosting operation. (Refer to **page 5**.)

Smell coming from the unit.

- The air conditioner may absorb various smells generated from interior textile, furniture, or cigarette smoke. These smells may be emitted during the operation.

Mist or steam is emitted from the unit.
<input type="checkbox"/> <In the Cooling or Dry mode> A thin mist may be generated by condensation formed with sudden cooling process. <input type="checkbox"/> <In the Heating mode> Is the Automatic defrosting operation working? In this case, steam may rise from the outdoor unit. (Refer to page 5 .)
Outdoor unit emits water.
<input type="checkbox"/> <In the Heating mode> The outdoor unit may emit water generated by the Automatic defrosting operation. (Refer to page 5 .)
Operation is delayed after restart.
<input type="checkbox"/> Has the power supply turned from off to on suddenly? In this case, the compressor will not operate for about 3 minutes to prevent a blowout of the fuse. <input type="checkbox"/> Has the electrical breaker is turned off then on again? In this case, the protection circuit will operate for about 3 minutes.

Immediately stop operation and turn off the electrical breaker in following cases. Then consult authorized service personnel.

- The problem persists even if you perform these checks or diagnostics.
- Error sign is shown on the wired remote controller display or the indicator lamps on the indoor unit.

NOTE:

For any troubleshooting related to the wireless LAN control, refer to the setting manual for the WLAN adapter or the mobile app installed in your smartphone or tablet PC.

State of indicator lamps

: The instruction is relating to the wireless LAN control (optional).

Lighting pattern: Off, On, Blinking, Any state

State	Causes and solutions	See page
	Automatic defrosting operation ⇒ Please wait until finishing the defrosting (maximum of 15 minutes).	5
 (3 times)	Filter indicator ⇒ Clean the air filter and reset the filter sign.	5
 (Fast)	Error code display ⇒ Consult authorized service personnel.	-
	Timer setting error because of Auto restart ⇒ Reset the clock and timer settings.	5
	Test run operation (for authorized personnel only) ⇒ Press to quit the test run.	-
	The indoor unit is preparing the firmware update. You cannot operate the air conditioner. Wait until the update is complete (for a maximum of 30 minutes).	6
 or 	<While the operation is stopped> The indoor unit is in the firmware update. You cannot operate the air conditioner. Wait until the update is complete (for a maximum of 30 minutes).	6

State	Causes and solutions	See page
	<While the operation is stopped> The firmware update of the indoor unit is complete. The settings from the wireless remote controller are initialized. Control the air conditioner from the wireless remote controller to resend the settings.	6
	<While the operation is stopped> If you cannot operate the air conditioner, the malfunction may occur on the firmware of the indoor unit. Consult authorized service personnel.	-
	Restricted function	6
	(In multi-split connection) Standby mode ⇒ Check the set operation mode of the indoor units.	6

Manual Auto operation and Filter indicator reset

You can operate the air conditioner with On/Off on the indoor unit.

Status	Length of pressing down	Mode or operation
In operation	More than 3 seconds	Stop
Stopping	2 seconds or less	Filter indicator reset
	More than 3 seconds and less than 10 seconds	Auto ^{*1)}
	More than 10 seconds (Only for servicing. ^{*2)})	Forced cooling
In Heating operation	2 seconds or less (Special setting) ^{*3)}	Emergency heat

*1) In multi-split connection, the operation mode follows the other indoor units.

*2) To stop the forced cooling, press this button or on the wireless remote controller.

*3) Refer to "Emergency heat (page 6)" for details.

FUJITSU GENERAL LIMITED
3-3-17, Suenaga, Takatsu-ku, Kawasaki 213-8502, Japan