



Air Conditioning & Heating

GM9C80 / GC9C80

HEATING INPUT: 40,000–120,000 BTU/H

**TWO-STAGE, 9-SPEED ECM
GAS FURNACE
80% AFUE**



Contents

Nomenclature.....	2
Product Specifications.....	3
Dimensions	5
Airflow Data.....	7
Wiring Diagram	26
Accessories	27

Standard Features

- Two-stage gas valve provides quiet, economical heating
- Efficient and quiet multi-speed ECM circulator motor
- SureStart® Silicon Nitride igniter designed for long igniter life
- Self-diagnostic control board
- Low constant fan speed circulates air throughout the home
- Quiet, two-speed induced draft blower
- California Low NOx emissions-compliant models available
- Can no longer be installed in California's South Coast Air Quality Management District (SCAQMD) on or after October 1, 2019.
- AHRI Certified; ETL Listed

Cabinet Features

- Fully insulated, heavy-gauge steel cabinet with durable baked-enamel finish
- Multi-position installation:
GM9C80: upflow, horizontal left or right
GC9C80: downflow, horizontal left or right
- Removable bottom for side- or bottom-return applications
- Convenient left or right connection for gas/electric service
- Cabinet air leakage ≤ 2%
- Coil and furnace fit flush for most installations

LIFETIME
HEAT EXCHANGER
LIMITED WARRANTY*

10 YEAR
REPLACEMENT
LIMITED WARRANTY*

10 YEAR
PARTS
LIMITED WARRANTY



COMPANY WITH
QUALITY SYSTEM
CERTIFIED BY DNV GL
■ ISO 9001 ■

COMPANY WITH
ENVIRONMENTAL SYSTEM
CERTIFIED BY DNV GL
■ ISO 14001 ■



* Complete warranty details available from your local dealer or at www.goodmanmfg.com. To receive the Lifetime Heat Exchanger Limited Warranty (good for as long as you own your home), 10-Year Unit Replacement Limited Warranty and 10-Year Parts Limited Warranty, online registration must be completed within 60 days of installation. Online registration is not required in California or Québec.

	G	M	9	C	80	040	4	C	*	**	
	1	2	3	4	5,6	7,8,9	10	11	12	13,14	
BRAND	G - Goodman® Brand										ENGINEERING
											Major/Minor Revisions A - Initial Release B - 1st Revision
CONFIGURATION	M - Upflow/Horizontal C - Downflow/Horizontal										NOX
											N = > 40 NG/J NOx X = < 40 NG/J NOx
MOTOR	9 - Nine Speed ECM										CABINET WIDTH
											A - 14" C - 21" B - 17½" D - 24½"
GAS VALVE	C - 2 Stage										MAXIMUM CFM
									3 - 1200 CFM		4 - 1600 CFM 5 - 2000 CFM
AFUE	80 - 80% AFUE 92 - 92% AFUE 96 - 96% AFUE 97 - 97% AFUE										MBTU/h
									030 - 30,000 BTU/h 040 - 40,000 BTU/h 060 - 60,000 BTU/h		080 - 80,000 BTU/h 100 - 100,000 BTU/h 120 - 120,000 BTU/h

	GM9C80 0403AN	GM9C80 0603A*	GM9C80 0603B*	GM9C80 0803B*	GM9C80 0804B*	GM9C80 0804C*	GM9C80 0805C*	GM9C80 0805DX	GM9C80 1004CN	GM9C80 1005C*	GM9C80 1205DN
HEATING CAPACITY											
High Fire Input (BTU/h) ¹	40,000	60,000	60,000	80,000	80,000	80,000	80,000	80,000	100,000	100,000	120,000
High Fire Output (BTU/h) ¹ :											
Natural Gas	32,000	48,000	48,000	64,000	64,000	64,000	64,000	64,000	80,000	80,000	96,000
LP Gas	32,000	48,000	48,000	64,000	64,000	64,000	64,000	64,000	80,000	80,000	96,000
Low Fire Input (BTU/h) ¹	28,000	42,000	42,000	56,000	56,000	56,000	56,000	56,000	70,000	70,000	84,000
Low Fire Output (BTU/h) ¹ :											
Natural Gas	22,400	33,600	33,600	44,800	44,800	44,800	44,800	44,800	56,000	56,000	67,200
LP Gas	22,400	33,600	33,600	44,800	44,800	44,800	44,800	44,800	56,000	56,000	67,200
AFUE ²	80	80	80	80	80	80	80	80	80	80	80
Available AC @ 0.5" ESP	1.5- 3.0	1.5- 3.0	1.5- 3.0	3.0- 4.0	2.0- 5.0	2.5- 5.0	2.5- 5.0	2.5- 5.0	2.0- 5.0	2.0- 5.0	2.0- 5.0
Temperature Rise Range (° F)	15-45 / 15-45	20-50 / 20-50	15-45 / 15-45	30-60 / 30-60	30-60 / 30-60	25-55 / 25-55	25-55 / 25-55	20-50 / 20-50	25-55 / 25-55	25-55 / 25-55	40-70 / 40-70
CIRCULATOR BLOWER											
Size (D x W)	10" x 6"	10" x 6"	10" x 8"	10" x 8"	10" x 10"	10" x 10"	10" x 10"	11" x 10"	10" x 10"	10" x 10"	10" x 10"
Horsepower- RPM	1/2	1/2	1/2	1/2	3/4	3/4	1	1	3/4	1	1
No. of Burners	3	3	3	4	4	4	4	4	5	5	6
ELECTRICAL DATA											
Min. Circuit Ampacity ³	8.7	8.7	8.7	8.7	12.45	12.45	15.32	15.32	12.45	15.32	15.32
Max. Overcurrent Device (amps) ⁴	15	15	15	15	15	15	20	20	15	20	20
SHIP WEIGHT (LBS)											
	105	107	107	118	121	129	129	129	124	124	124

¹ Natural Gas BTU/h; for altitudes 0-4500' above sea level, reduce input rating by 4% for each 1000' above 4500' altitude.

² DOE AFUE based upon Isolated Combustion System (ICS)

³ Minimum Circuit Ampacity = (1.25 x Circulator Blower Amps) + ID Blower amps. Wire size should be determined in accordance with National Electrical Codes. Extensive wire runs will require larger wire sizes.

⁴ Maximum Overcurrent Protection Device refers to maximum recommended fuse or circuit breaker size. May use fuses or HACR-type circuit breakers of the same size as noted.

NOTES

- All furnaces are manufactured for use on 115 VAC, 60 Hz, single-phase electrical supply.
- Gas Service Connection ½" FPT
- Important: Size fuses and wires properly and make electrical connections in accordance with the National Electrical Code and/or all existing local codes.

SPECIFICATIONS

	GC9C80 0403AX	GC9C80 0603AX	GC9C80 0603BX	GC9C80 0804BX	GC9C80 0805CX	GC9C80 1005CX
HEATING CAPACITY						
High Fire Input (BTU/h) ¹	40,000	60,000	60,000	80,000	80,000	100,000
High Fire Output (BTU/h) ¹						
Natural Gas	32,000	48,000	48,000	64,000	64,000	80,000
LP Gas	32,000	48,000	48,000	64,000	64,000	80,000
Low Fire Input (BTU/h) ¹	28,000	42,000	42,000	56,000	56,000	70,000
Low Fire Output (BTU/h) ¹						
Natural Gas	22,400	33,600	33,600	44,800	44,800	56,000
LP Gas	22,400	33,600	33,600	44,800	44,800	56,000
AFUE ²	80	80	80	80	80	80
Available AC @ 0.5" ESP	1.5- 3.0	1.5- 4.0	1.5- 4.0	2.0- 5.0	2.5- 5.0	2.0- 5.0
Temperature Rise Range (° F)	15-45 / 15-45	25-55 / 25-55	25-55 / 25-55	30-60 / 30-60	30-60 / 30-60	20-50 / 20-50
CIRCULATOR BLOWER						
Size (D x W)	10" x 6"	10" x 6"	10" x 8"	10" x 8"	10" x 10"	10" x 10"
Horsepower- RPM	1/2	1/2	1/2	3/4	1	1
No. of Burners	3	3	3	4	4	5
ELECTRICAL DATA						
Min. Circuit Ampacity ³	8.7	8.7	8.7	12.45	15.32	15.32
Max. Overcurrent Device (amps) ⁴	15	15	15	15	20	20
SHIP WEIGHT (LBS)						
	105	107	107	121	129	131

¹ Natural Gas BTU/h; for altitudes 0-4500' above sea level, reduce input rating by 4% for each 1000' above 4500' altitude.

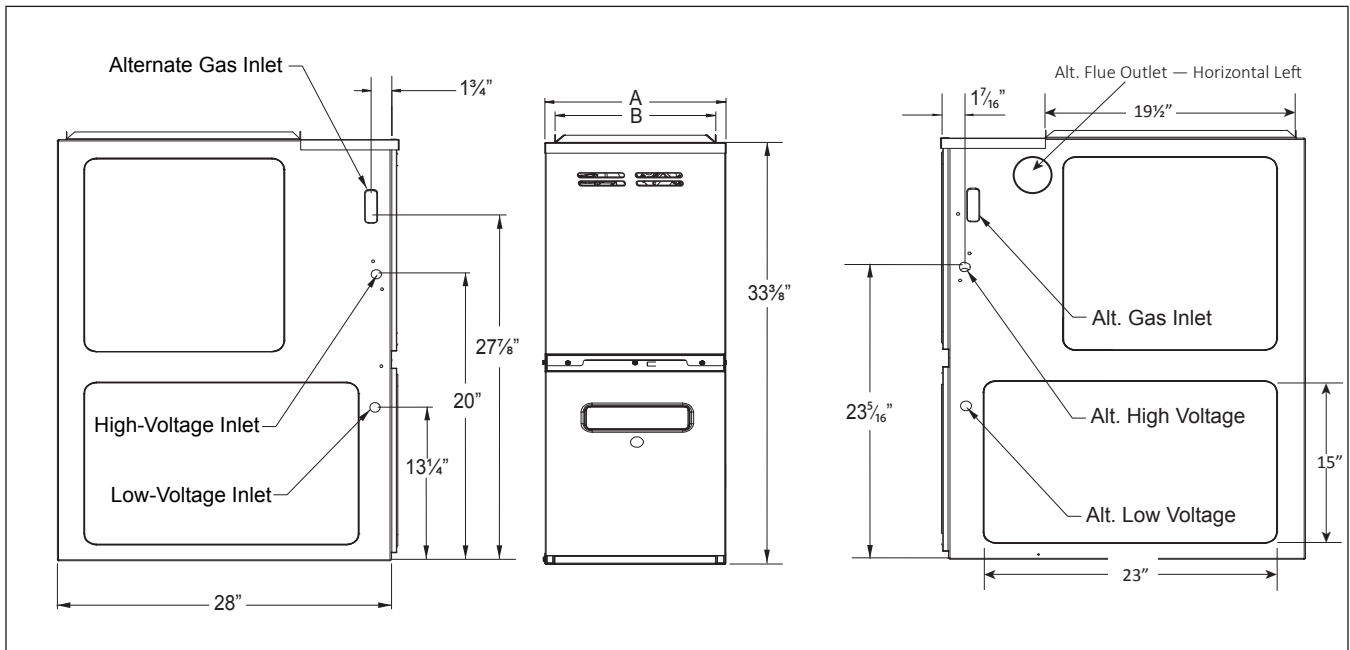
² DOE AFUE based upon Isolated Combustion System (ICS)

³ Minimum Circuit Ampacity = (1.25 x Circulator Blower Amps) + ID Blower amps. Wire size should be determined in accordance with National Electrical Codes. Extensive wire runs will require larger wire sizes.

⁴ Maximum Overcurrent Protection Device refers to maximum recommended fuse or circuit breaker size. May use fuses or HACR-type circuit breakers of the same size as noted.

NOTES

- All furnaces are manufactured for use on 115 VAC, 60 Hz, single-phase electrical supply.
- Gas Service Connection ½" FPT
- Important: Size fuses and wires properly and make electrical connections in accordance with the National Electrical Code and/or all existing local codes.



MODEL	DIMENSIONS	
	A	B
GM9C800403A*	14"	12 1/2"
GM9C800603A*	14"	12 1/2"
GM9C800603B*	17 1/2"	16"
GM9C800803B*	17 1/2"	16"
GM9C800804B*	17 1/2"	16"
GM9C800804C*	21"	19 1/2"
GM9C800805C*	21"	19 1/2"
GM9C800805DX	24 1/2"	23
GM9C801004CN	21"	19 1/2"
GM9C801005C*	21"	19 1/2"
GM9C801205DN	24 1/2"	23

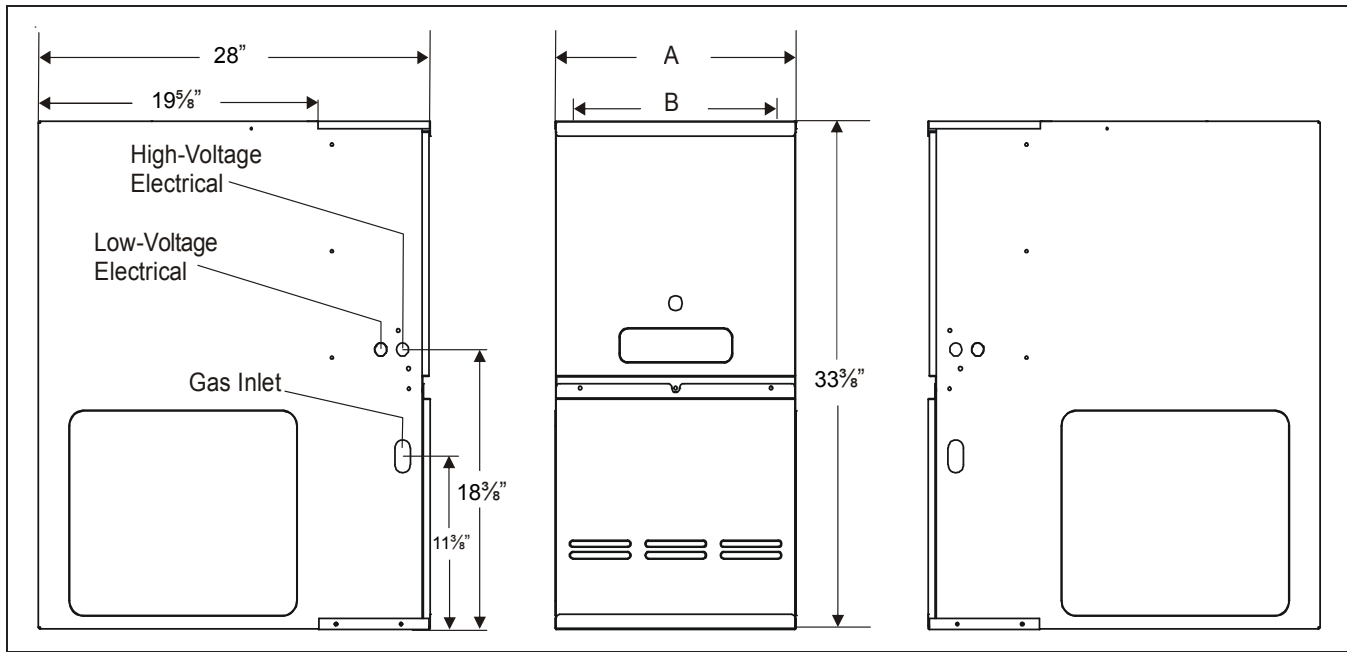
MINIMUM CLEARANCES TO COMBUSTIBLE MATERIALS

SIDES	REAR	FRONT	BOTTOM	VENT		TOP
				SW	B	
1	0	3	C	6	1	1

C = If placed on combustible floor, the floor MUST be wood ONLY.

NOTES:

- For servicing or cleaning, a 24" front clearance is recommended.
- Unit connections (electrical, flue, and drain) may necessitate greater clearances than the minimum clearances listed above.
- In all cases, accessibility clearance must take precedence over clearances from the enclosure where accessibility clearances are greater.
- Refer to the appropriate USA and Canadian codes:
 - In the USA: the National Fuel Gas Code NFPA 54 / ANSI Z223.1
 - In Canada: the Canada National Standard of Canada, CAN/CSA B149.1 and CAN/CSA B142.2



MODEL	DIMENSIONS	
	W	H
GC9C800403AX	14"	12½"
GC9C800603AX	14"	12½"
GC9C800603BX	17½"	16"
GC9C800804BX	17½"	16"
GC9C800805CX	21"	19½"
GC9C801005CX	21"	19½"

MINIMUM CLEARANCES TO COMBUSTIBLE MATERIALS

SIDES	REAR	FRONT	BOTTOM	VENT		TOP
				SW	B	
1	0	3	C	6	1	1

C = If placed on combustible floor, the floor MUST be wood ONLY.

NOTES:

- For servicing or cleaning, a 24" front clearance is recommended.
- Unit connections (electrical, flue, and drain) may necessitate greater clearances than the minimum clearances listed above.
- In all cases, accessibility clearance must take precedence over clearances from the enclosure where accessibility clearances are greater.
- Refer to the appropriate USA and Canadian codes:
 - In the USA: the National Fuel Gas Code NFPA 54 / ANSI Z223.1
 - In Canada: the Canada National Standard of Canada, CAN/CSA B149.1 and CAN/CSA B142.2

LOW STAGE COOLING AIRFLOW										
MODEL	THER-MOSTAT CALL	TAP #	EXTERNAL STATIC PRESSURE, (INCHES WATER COLUMN)							
			0.1	0.2	0.3	0.4	0.5	0.6	0.7	0.8
			CFM	CFM	CFM	CFM	CFM	CFM	CFM	CFM
GM9C80 0403A*	Y/Y1	F01	749	697	652	607	554	509	459	406
		F02	1130	1090	1059	1022	991	957	926	895
		F03	584	553	501	447	395	335	N/A	N/A
		F04^	882	841	800	760	719	678	641	602
		F05	1158	1113	1090	1057	1024	996	964	935
		F06	925	881	840	800	760	721	681	645
		F07	1270	1235	1208	1179	1147	1119	1088	1060
		F08	1330	1295	1273	1251	1223	1195	1168	1142
		F09	1417	1380	1359	1336	1314	1288	1261	1238
GM9C80 0603A*	Y/Y1	F01	880	837	794	756	717	678	641	602
		F02	1268	1221	1188	1154	1122	1091	1060	1029
		F03	659	599	542	490	437	383	320	N/A
		F04^	1026	982	943	906	869	834	799	765
		F05	1308	1262	1224	1197	1167	1141	1117	1089
		F06	1118	1070	1033	997	963	929	896	865
		F07	1087	1044	1008	973	938	905	871	841
		F08	1382	1341	1311	1291	1263	1234	1206	1177
		F09	1492	1448	1409	1381	1354	1332	1310	1288
GM9C80 0603B*	Y/Y1	F01	1125	1089	1052	1013	973	947	909	863
		F02	1413	1386	1360	1330	1302	1270	1242	1211
		F03	720	660	614	542	468	413	359	313
		F04^	1146	1113	1076	1039	1002	969	933	891
		F05	1370	1345	1317	1286	1260	1224	1187	1168
		F06	922	872	830	786	736	683	616	565
		F07	1252	1198	1153	1110	1069	1028	990	953
		F08	1289	1260	1232	1194	1161	1125	1087	1073
		F09	1544	1500	1459	1419	1387	1349	1317	1286
GM9C80 0803B*	Y/Y1	F01	1036	985	940	895	848	799	751	705
		F02	1391	1352	1314	1278	1241	1209	1175	1140
		F03	710	646	580	515	432	367	314	274
		F04^	1138	1091	1045	1001	959	920	876	832
		F05	1209	1166	1124	1083	1045	1005	964	923
		F06	977	931	880	836	785	734	683	626
		F07	1298	1255	1216	1178	1140	1102	1067	1028
		F08	1456	1414	1376	1341	1302	1270	1238	1200
		F09	1533	1488	1452	1415	1383	1350	1317	1286
GM9C80 0804B*	Y/Y1	F01	1104	1056	1010	968	925	880	831	784
		F02	1395	1347	1309	1270	1233	1199	1164	1125
		F03	841	657	595	522	439	367	N/A	N/A
		F04^	1311	1267	1226	1189	1150	1114	1072	1034
		F05	1490	1447	1407	1373	1336	1303	1269	1237
		F06	1553	1510	1469	1435	1401	1368	1335	1300
		F07	1776	1735	1695	1661	1628	1601	1570	1542
		F08	1593	1548	1508	1474	1440	1409	1376	1343
		F09	1853	1812	1773	1739	1708	1679	1650	1623

Note: ^ DEFAULT SPEED

GM9C80 LOW STAGE COOLING AIRFLOW DATA (CONT.)

LOW STAGE COOLING AIRFLOW										
MODEL	THER-MOSTAT CALL	TAP #	EXTERNAL STATIC PRESSURE, (INCHES WATER COLUMN)							
			0.1	0.2	0.3	0.4	0.5	0.6	0.7	0.8
			CFM	CFM	CFM	CFM	CFM	CFM	CFM	CFM
GM9C80 0804C*	Y/Y1	F01	1214	1158	1103	1045	989	936	883	823
		F02	1518	1465	1418	1372	1328	1284	1237	1195
		F03	831	750	671	588	501	405	348	300
		F04^	1303	1249	1191	1136	1081	1028	974	928
		F05	1588	1539	1494	1447	1401	1358	1313	1267
		F06	1426	1375	1324	1277	1229	1177	1124	1078
		F07	1785	1751	1717	1675	1639	1596	1557	1516
		F08	1710	1666	1632	1595	1554	1512	1473	1431
		F09	1845	1805	1771	1733	1695	1655	1618	1576
GM9C80 0805C*	Y/Y1	F01	1420	1359	1301	1254	1206	1152	1100	1044
		F02	1825	1769	1718	1673	1629	1584	1540	1497
		F03	826	744	661	573	485	399	339	N/A
		F04^	1623	1567	1516	1468	1423	1374	1328	1281
		F05	1697	1644	1596	1551	1505	1457	1413	1367
		F06	1741	1686	1639	1592	1550	1504	1462	1417
		F07	1906	1855	1809	1763	1722	1682	1641	1597
		F08	1966	1914	1869	1825	1782	1745	1703	1660
		F09	2201	2152	2107	2073	2034	1996	1962	1925
GM9C80 0805D*	Y/Y1	F01	1175	1109	1044	977	905	830	750	681
		F02	1828	1778	1731	1687	1643	1597	1556	1512
		F03	972	899	822	741	659	574	503	438
		F04^	1401	1338	1290	1234	1179	1126	1073	1014
		F05	1627	1574	1526	1479	1428	1370	1326	1285
		F06	1863	1810	1772	1726	1683	1638	1596	1547
		F07	1920	1873	1835	1795	1751	1704	1673	1633
		F08	2026	1980	1932	1894	1852	1816	1777	1737
		F09	2183	2140	2095	2057	2020	1978	1947	1917
GM9C80 1004C*	Y/Y1	F01	1405	1356	1308	1262	1210	1155	1102	1057
		F02	1846	1807	1762	1731	1685	1646	1615	1574
		F03	802	724	637	551	468	389	342	294
		F04^	1260	1207	1156	1103	1037	982	932	878
		F05	1811	1769	1730	1686	1649	1610	1572	1525
		F06	1541	1487	1440	1395	1353	1310	1251	1203
		F07	1587	1545	1494	1451	1409	1367	1316	1266
		F08	1703	1659	1613	1579	1537	1495	1451	1401
		F09	1892	1850	1805	1774	1735	1692	1658	1621
GM9C80 1005C*	Y/Y1	F01	1589	1539	1498	1459	1417	1377	1334	1293
		F02	2153	2119	2073	2044	2003	1971	1939	1907
		F03	1034	745	642	550	462	374	329	287
		F04^	1579	1525	1483	1443	1400	1358	1313	1260
		F05	1891	1843	1804	1767	1730	1698	1660	1626
		F06	1824	1784	1739	1700	1667	1624	1592	1555
		F07	1731	1677	1637	1600	1556	1518	1474	1439
		F08	1944	1901	1864	1823	1786	1748	1719	1680
		F09	2219	2175	2134	2106	2071	2039	2008	1982

Note: ^ DEFAULT SPEED

LOW STAGE COOLING AIRFLOW										
MODEL	THER- MOSTAT CALL	TAP #	EXTERNAL STATIC PRESSURE, (INCHES WATER COLUMN)							
			0.1	0.2	0.3	0.4	0.5	0.6	0.7	0.8
			CFM	CFM	CFM	CFM	CFM	CFM	CFM	CFM
GM9C80 1205D*	Y/Y1	F01	1355	1301	1249	1196	1142	1078	1023	970
		F02	1806	1764	1729	1688	1654	1615	1578	1535
		F03	851	774	692	615	535	470	411	359
		F04^	1154	1098	1043	983	932	874	819	755
		F05	1712	1660	1614	1580	1540	1501	1461	1417
		F06	1617	1568	1525	1481	1439	1402	1354	1309
		F07	1869	1816	1773	1731	1693	1661	1629	1589
		F08	1947	1903	1865	1833	1802	1769	1743	1708
		F09	2107	2066	2030	1996	1963	1932	1899	1867

Note: ^ DEFAULT SPEED

GM9C80 HIGH STAGE COOLING AIRFLOW DATA

HIGH STAGE COOLING AIRFLOW										
MODEL	THER-MOSTAT CALL	TAP #	EXTERNAL STATIC PRESSURE, (INCHES WATER COLUMN)							
			0.1	0.2	0.3	0.4	0.5	0.6	0.7	0.8
			CFM	CFM	CFM	CFM	CFM	CFM	CFM	CFM
GM9C80 0403A*	Y2	F01	749	697	652	607	554	509	459	406
		F02	1130	1090	1059	1022	991	957	926	895
		F03	584	553	501	447	395	335	N/A	N/A
		F04	882	841	800	760	719	678	641	602
		F05^	1158	1113	1090	1057	1024	996	964	935
		F06	925	881	840	800	760	721	681	645
		F07	1270	1235	1208	1179	1147	1119	1088	1060
		F08	1330	1295	1273	1251	1223	1195	1168	1142
		F09	1417	1380	1359	1336	1314	1288	1261	1238
GM9C80 0603A*	Y2	F01	880	837	794	756	717	678	641	602
		F02	1268	1221	1188	1154	1122	1091	1060	1029
		F03	659	599	542	490	437	383	320	N/A
		F04	1026	982	943	906	869	834	799	765
		F05^	1308	1262	1224	1197	1167	1141	1117	1089
		F06	1118	1070	1033	997	963	929	896	865
		F07	1087	1044	1008	973	938	905	871	841
		F08	1382	1341	1311	1291	1263	1234	1206	1177
		F09	1492	1448	1409	1381	1354	1332	1310	1288
GM9C80 0603B*	Y2	F01	1125	1089	1052	1013	973	947	909	863
		F02	1413	1386	1360	1330	1302	1270	1242	1211
		F03	720	660	614	542	468	413	359	313
		F04	1146	1113	1076	1039	1002	969	933	891
		F05^	1370	1345	1317	1286	1260	1224	1187	1168
		F06	922	872	830	786	736	683	616	565
		F07	1252	1198	1153	1110	1069	1028	990	953
		F08	1289	1260	1232	1194	1161	1125	1087	1073
		F09	1544	1500	1459	1419	1387	1349	1317	1286
GM9C80 0803B*	Y2	F01	1036	985	940	895	848	799	751	705
		F02	1391	1352	1314	1278	1241	1209	1175	1140
		F03	710	646	580	515	432	367	314	274
		F04	1138	1091	1045	1001	959	920	876	832
		F05^	1209	1166	1124	1083	1045	1005	964	923
		F06	977	931	880	836	785	734	683	626
		F07	1298	1255	1216	1178	1140	1102	1067	1028
		F08	1456	1414	1376	1341	1302	1270	1238	1200
		F09	1533	1488	1452	1415	1383	1350	1317	1286
GM9C80 0804B*	Y2	F01	1104	1056	1010	968	925	880	831	784
		F02	1395	1347	1309	1270	1233	1199	1164	1125
		F03	841	657	595	522	439	367	N/A	N/A
		F04	1311	1267	1226	1189	1150	1114	1072	1034
		F05^	1490	1447	1407	1373	1336	1303	1269	1237
		F06	1553	1510	1469	1435	1401	1368	1335	1300
		F07	1776	1735	1695	1661	1628	1601	1570	1542
		F08	1593	1548	1508	1474	1440	1409	1376	1343
		F09	1853	1812	1773	1739	1708	1679	1650	1623

Note: ^ DEFAULT SPEED

HIGH STAGE COOLING AIRFLOW										
MODEL	THER-MOSTAT CALL	TAP #	EXTERNAL STATIC PRESSURE, (INCHES WATER COLUMN)							
			0.1	0.2	0.3	0.4	0.5	0.6	0.7	0.8
			CFM	CFM	CFM	CFM	CFM	CFM	CFM	CFM
GM9C80 0804C*	Y2	F01	1214	1158	1103	1045	989	936	883	823
		F02	1518	1465	1418	1372	1328	1284	1237	1195
		F03	831	750	671	588	501	405	348	300
		F04	1303	1249	1191	1136	1081	1028	974	928
		F05^	1588	1539	1494	1447	1401	1358	1313	1267
		F06	1426	1375	1324	1277	1229	1177	1124	1078
		F07	1785	1751	1717	1675	1639	1596	1557	1516
		F08	1710	1666	1632	1595	1554	1512	1473	1431
		F09	1845	1805	1771	1733	1695	1655	1618	1576
GM9C80 0805C*	Y2	F01	1420	1359	1301	1254	1206	1152	1100	1044
		F02	1825	1769	1718	1673	1629	1584	1540	1497
		F03	826	744	661	573	485	399	339	N/A
		F04	1623	1567	1516	1468	1423	1374	1328	1281
		F05^	1697	1644	1596	1551	1505	1457	1413	1367
		F06	1741	1686	1639	1592	1550	1504	1462	1417
		F07	1906	1855	1809	1763	1722	1682	1641	1597
		F08	1966	1914	1869	1825	1782	1745	1703	1660
		F09	2201	2152	2107	2073	2034	1996	1962	1925
GM9C80 0805D*	Y2	F01	1175	1109	1044	977	905	830	750	681
		F02	1828	1778	1731	1687	1643	1597	1556	1512
		F03	972	899	822	741	659	574	503	438
		F04	1401	1338	1290	1234	1179	1126	1073	1014
		F05^	1627	1574	1526	1479	1428	1370	1326	1285
		F06	1863	1810	1772	1726	1683	1638	1596	1547
		F07	1920	1873	1835	1795	1751	1704	1673	1633
		F08	2026	1980	1932	1894	1852	1816	1777	1737
		F09	2183	2140	2095	2057	2020	1978	1947	1917
GM9C80 1004C*	Y2	F01	1405	1356	1308	1262	1210	1155	1102	1057
		F02	1846	1807	1762	1731	1685	1646	1615	1574
		F03	802	724	637	551	468	389	342	294
		F04	1260	1207	1156	1103	1037	982	932	878
		F05^	1811	1769	1730	1686	1649	1610	1572	1525
		F06	1541	1487	1440	1395	1353	1310	1251	1203
		F07	1587	1545	1494	1451	1409	1367	1316	1266
		F08	1703	1659	1613	1579	1537	1495	1451	1401
		F09	1892	1850	1805	1774	1735	1692	1658	1621
GM9C80 1005C*	Y2	F01	1589	1539	1498	1459	1417	1377	1334	1293
		F02	2153	2119	2073	2044	2003	1971	1939	1907
		F03	1034	745	642	550	462	374	329	287
		F04	1579	1525	1483	1443	1400	1358	1313	1260
		F05^	1891	1843	1804	1767	1730	1698	1660	1626
		F06	1824	1784	1739	1700	1667	1624	1592	1555
		F07	1731	1677	1637	1600	1556	1518	1474	1439
		F08	1944	1901	1864	1823	1786	1748	1719	1680
		F09	2219	2175	2134	2106	2071	2039	2008	1982

Note: ^ DEFAULT SPEED

GM9C80 HIGH STAGE COOLING AIRFLOW DATA (CONT.)

HIGH STAGE COOLING AIRFLOW										
MODEL	THER- MOSTAT CALL	TAP #	EXTERNAL STATIC PRESSURE, (INCHES WATER COLUMN)							
			0.1	0.2	0.3	0.4	0.5	0.6	0.7	0.8
			CFM	CFM	CFM	CFM	CFM	CFM	CFM	CFM
GM9C80 1205D*	Y2	F01	1355	1301	1249	1196	1142	1078	1023	970
		F02	1806	1764	1729	1688	1654	1615	1578	1535
		F03	851	774	692	615	535	470	411	359
		F04	1154	1098	1043	983	932	874	819	755
		F05^	1712	1660	1614	1580	1540	1501	1461	1417
		F06	1617	1568	1525	1481	1439	1402	1354	1309
		F07	1869	1816	1773	1731	1693	1661	1629	1589
		F08	1947	1903	1865	1833	1802	1769	1743	1708
		F09	2107	2066	2030	1996	1963	1932	1899	1867

Note: ^ DEFAULT SPEED

RECOMMENDED AIRFLOW SPEEDS FOR CONNECTION WITH 2 STAGE OUTDOOR MODELS		
FURNACE MODEL	Y2	Y1
GM9C800805D*	F02	F01
GM9C801205D*	F08	F01

CIRCULATION AIRFLOW										
MODEL	THER- MOSTAT CALL	TAP #	EXTERNAL STATIC PRESSURE, (INCHES WATER COLUMN)							
			0.1	0.2	0.3	0.4	0.5	0.6	0.7	0.8
			CFM	CFM	CFM	CFM	CFM	CFM	CFM	CFM
GM9C80 0403A*	G	F01	749	697	652	607	554	509	459	406
		F02	1130	1090	1059	1022	991	957	926	895
		F03	584	553	501	447	395	335	N/A	N/A
		F04	882	841	800	760	719	678	641	602
		F05	1158	1113	1090	1057	1024	996	964	935
		F06	925	881	840	800	760	721	681	645
		F07	1270	1235	1208	1179	1147	1119	1088	1060
		F08	1330	1295	1273	1251	1223	1195	1168	1142
		F09	1417	1380	1359	1336	1314	1288	1261	1238
GM9C80 0603A*	G	F01	880	837	794	756	717	678	641	602
		F02	1268	1221	1188	1154	1122	1091	1060	1029
		F03	659	599	542	490	437	383	320	N/A
		F04	1026	982	943	906	869	834	799	765
		F05	1308	1262	1224	1197	1167	1141	1117	1089
		F06	1118	1070	1033	997	963	929	896	865
		F07	1087	1044	1008	973	938	905	871	841
		F08	1382	1341	1311	1291	1263	1234	1206	1177
		F09	1492	1448	1409	1381	1354	1332	1310	1288
GM9C80 0603B*	G	F01	1125	1089	1052	1013	973	947	909	863
		F02	1413	1386	1360	1330	1302	1270	1242	1211
		F03	720	660	614	542	468	413	359	313
		F04	1146	1113	1076	1039	1002	969	933	891
		F05	1370	1345	1317	1286	1260	1224	1187	1168
		F06	922	872	830	786	736	683	616	565
		F07	1252	1198	1153	1110	1069	1028	990	953
		F08	1289	1260	1232	1194	1161	1125	1087	1073
		F09	1544	1500	1459	1419	1387	1349	1317	1286
GM9C80 0803B*	G	F01	1036	985	940	895	848	799	751	705
		F02	1391	1352	1314	1278	1241	1209	1175	1140
		F03	710	646	580	515	432	367	314	274
		F04	1138	1091	1045	1001	959	920	876	832
		F05	1209	1166	1124	1083	1045	1005	964	923
		F06	977	931	880	836	785	734	683	626
		F07	1298	1255	1216	1178	1140	1102	1067	1028
		F08	1456	1414	1376	1341	1302	1270	1238	1200
		F09	1533	1488	1452	1415	1383	1350	1317	1286
GM9C80 0804B*	G	F01	1104	1056	1010	968	925	880	831	784
		F02	1395	1347	1309	1270	1233	1199	1164	1125
		F03	841	657	595	522	439	367	N/A	N/A
		F04	1311	1267	1226	1189	1150	1114	1072	1034
		F05	1490	1447	1407	1373	1336	1303	1269	1237
		F06	1553	1510	1469	1435	1401	1368	1335	1300
		F07	1776	1735	1695	1661	1628	1601	1570	1542
		F08	1593	1548	1508	1474	1440	1409	1376	1343
		F09	1853	1812	1773	1739	1708	1679	1650	1623

Note: ^ DEFAULT SPEED

GM9C80 CIRCULATION AIRFLOW DATA (CONT.)

CIRCULATION AIRFLOW										
MODEL	THER-MOSTAT CALL	TAP #	EXTERNAL STATIC PRESSURE, (INCHES WATER COLUMN)							
			0.1	0.2	0.3	0.4	0.5	0.6	0.7	0.8
			CFM	CFM	CFM	CFM	CFM	CFM	CFM	CFM
GM9C80 0804C*	G	F01	1214	1158	1103	1045	989	936	883	823
		F02	1518	1465	1418	1372	1328	1284	1237	1195
		F03	831	750	671	588	501	405	348	300
		F04	1303	1249	1191	1136	1081	1028	974	928
		F05	1588	1539	1494	1447	1401	1358	1313	1267
		F06	1426	1375	1324	1277	1229	1177	1124	1078
		F07	1785	1751	1717	1675	1639	1596	1557	1516
		F08	1710	1666	1632	1595	1554	1512	1473	1431
		F09	1845	1805	1771	1733	1695	1655	1618	1576
GM9C80 0805C*	G	F01	1420	1359	1301	1254	1206	1152	1100	1044
		F02	1825	1769	1718	1673	1629	1584	1540	1497
		F03	826	744	661	573	485	399	339	N/A
		F04	1623	1567	1516	1468	1423	1374	1328	1281
		F05	1697	1644	1596	1551	1505	1457	1413	1367
		F06	1741	1686	1639	1592	1550	1504	1462	1417
		F07	1906	1855	1809	1763	1722	1682	1641	1597
		F08	1966	1914	1869	1825	1782	1745	1703	1660
		F09	2201	2152	2107	2073	2034	1996	1962	1925
GM9C80 0805D*	G	F01	1175	1109	1044	977	905	830	750	681
		F02	1828	1778	1731	1687	1643	1597	1556	1512
		F03	972	899	822	741	659	574	503	438
		F04	1401	1338	1290	1234	1179	1126	1073	1014
		F05	1627	1574	1526	1479	1428	1370	1326	1285
		F06	1863	1810	1772	1726	1683	1638	1596	1547
		F07	1920	1873	1835	1795	1751	1704	1673	1633
		F08	2026	1980	1932	1894	1852	1816	1777	1737
		F09	2183	2140	2095	2057	2020	1978	1947	1917
GM9C80 1004C*	G	F01	1405	1356	1308	1262	1210	1155	1102	1057
		F02	1846	1807	1762	1731	1685	1646	1615	1574
		F03	802	724	637	551	468	389	342	294
		F04	1260	1207	1156	1103	1037	982	932	878
		F05	1811	1769	1730	1686	1649	1610	1572	1525
		F06	1541	1487	1440	1395	1353	1310	1251	1203
		F07	1587	1545	1494	1451	1409	1367	1316	1266
		F08	1703	1659	1613	1579	1537	1495	1451	1401
		F09	1892	1850	1805	1774	1735	1692	1658	1621
GM9C80 1005C*	G	F01	1589	1539	1498	1459	1417	1377	1334	1293
		F02	2153	2119	2073	2044	2003	1971	1939	1907
		F03	1034	745	642	550	462	374	329	287
		F04	1579	1525	1483	1443	1400	1358	1313	1260
		F05	1891	1843	1804	1767	1730	1698	1660	1626
		F06	1824	1784	1739	1700	1667	1624	1592	1555
		F07	1731	1677	1637	1600	1556	1518	1474	1439
		F08	1944	1901	1864	1823	1786	1748	1719	1680
		F09	2219	2175	2134	2106	2071	2039	2008	1982

Note: ^ DEFAULT SPEED

CIRCULATION AIFLOW										
MODEL	THER- MOSTAT CALL	TAP #	EXTERNAL STATIC PRESSURE, (INCHES WATER COLUMN)							
			0.1	0.2	0.3	0.4	0.5	0.6	0.7	0.8
			CFM	CFM	CFM	CFM	CFM	CFM	CFM	CFM
GM9C80 1205D*	G	F01	1355	1301	1249	1196	1142	1078	1023	970
		F02	1806	1764	1729	1688	1654	1615	1578	1535
		F03	851	774	692	615	535	470	411	359
		F04	1154	1098	1043	983	932	874	819	755
		F05	1712	1660	1614	1580	1540	1501	1461	1417
		F06	1617	1568	1525	1481	1439	1402	1354	1309
		F07	1869	1816	1773	1731	1693	1661	1629	1589
		F08	1947	1903	1865	1833	1802	1769	1743	1708
		F09	2107	2066	2030	1996	1963	1932	1899	1867

Note: ^ DEFAULT SPEED

GM9C80 HEATING AIRFLOW DATA

HEATING AIRFLOW																TEMP RANGE
MODEL	THER-MOSTAT CALL	TAP #	EXTERNAL STATIC PRESSURE, (INCHES WATER COLUMN)													
			0.1		0.2		0.3		0.4		0.5		0.6	0.7	0.8	
			CFM	RISE	CFM	RISE	CFM	RISE	CFM	RISE	CFM	RISE	CFM	CFM	CFM	
GM9C80 0403A*	W/W1	F01^	749	28	697	30	652	32	607	34	554	37	509	459	406	15- 45
		F03^^	584	N/A	553	N/A	501	N/A	447	N/A	395	N/A	335	N/A	N/A	
		F04	882	24	841	25	800	26	760	27	719	29	678	641	602	
	W2	F02^	1130	26	1090	27	1059	28	1022	29	991	30	957	926	895	
		F04	882	34	841	35	800	37	760	39	719	41	678	641	602	
		F05	1158	26	1113	27	1090	27	1057	28	1024	29	996	964	935	
GM9C80 0603A*	W/W1	F01^	880	35	837	37	794	39	756	41	717	43	678	641	602	20- 50
		F03^^	659	N/A	599	N/A	542	N/A	490	N/A	437	N/A	383	320	N/A	
		F04	1026	30	982	32	943	33	906	34	869	36	834	799	765	
	W2	F02^	1268	35	1221	36	1188	37	1154	38	1122	40	1091	1060	1029	
		F04^^	1026	N/A	982	N/A	943	N/A	906	N/A	869	N/A	834	799	765	
		F05	1308	34	1262	35	1224	36	1197	37	1167	38	1141	1117	1089	
GM9C80 0603B*	W/W1	F01^	1125	28	1089	29	1052	30	1013	31	973	32	947	909	863	15- 45
		F03^^	720	N/A	660	N/A	614	N/A	542	N/A	468	N/A	413	359	313	
		F04	1146	27	1113	28	1076	29	1039	30	1002	31	969	933	891	
	W2	F02^	1413	31	1386	32	1360	33	1330	33	1302	34	1270	1242	1211	
		F04	1146	39	1113	40	1076	41	1039	43	1002	44	969	933	891	
		F05	1370	32	1345	33	1317	34	1286	35	1260	35	1224	1187	1168	
GM9C80 0803B*	W/W1	F01^	1036	40	985	42	940	44	895	46	848	49	799	751	705	30- 60
		F03^^	710	N/A	646	N/A	580	N/A	515	N/A	432	N/A	367	314	274	
		F04	1138	36	1091	38	1045	40	1001	41	959	43	920	876	832	
	W2	F02^	1391	43	1352	44	1314	45	1278	46	1241	48	1209	1175	1140	
		F04^^	1138	N/A	1091	N/A	1045	N/A	1001	N/A	959	N/A	920	876	832	
		F05	1209	49	1166	51	1124	53	1083	55	1045	57	1005	964	923	
GM9C80 0804B*	W/W1	F01^	1104	38	1056	39	1010	41	968	43	925	45	880	831	784	30- 60
		F03^^	841	N/A	657	N/A	595	N/A	522	N/A	439	N/A	367	315	N/A	
		F04	1311	32	1267	33	1226	34	1189	35	1150	36	1114	1072	1034	
	W2	F02^	1395	42	1347	44	1309	45	1270	47	1233	48	1199	1164	1125	
		F04	1311	45	1267	47	1226	48	1189	50	1150	52	1114	1072	1034	
		F05	1490	40	1447	41	1407	42	1373	43	1336	44	1303	1269	1237	
GM9C80 0804C*	W/W1	F01^	1214	34	1158	36	1103	38	1045	40	989	42	936	883	823	25- 55
		F03^^	831	N/A	750	N/A	671	N/A	588	N/A	501	N/A	405	348	300	
		F04	1303	32	1249	33	1191	35	1136	37	1081	38	1028	974	928	
	W2	F02^	1518	39	1465	40	1418	42	1372	43	1328	45	1284	1237	1195	
		F04	1303	45	1249	47	1191	50	1136	52	1081	55	1028	974	928	
		F05	1588	37	1539	39	1494	40	1447	41	1401	42	1358	1313	1267	

Note: ^ DEFAULT SPEED
^^NOT RECOMMENDED FOR HEATING

HEATING AIRFLOW																TEMP RANGE
MODEL	THER-MOSTAT CALL	TAP #	EXTERNAL STATIC PRESSURE, (INCHES WATER COLUMN)													
			0.1		0.2		0.3		0.4		0.5		0.6	0.7	0.8	
			CFM	RISE	CFM	RISE	CFM	RISE	CFM	RISE	CFM	RISE	CFM	CFM	CFM	
GM9C80 0805C*	W/W1	F01^	1420	29	1359	31	1301	32	1254	33	1206	34	1152	1100	1044	25- 55
		F03^^	826	N/A	744	N/A	661	N/A	573	N/A	485	N/A	399	339	N/A	
		F04^^	1623	N/A	1567	N/A	1516	N/A	1468	N/A	1423	N/A	1374	1328	1281	
	W2	F02^	1825	32	1769	33	1718	34	1673	35	1629	36	1584	1540	1497	
		F04	1623	37	1567	38	1516	39	1468	40	1423	42	1374	1328	1281	
		F05	1697	35	1644	36	1596	37	1551	38	1505	39	1457	1413	1367	
GM9C80 0805D*	W/W1	F01^	1175	35	1109	37	1044	40	977	42	905	46	830	750	681	20- 50
		F03^^	972	N/A	899	N/A	822	N/A	741	N/A	659	N/A	574	503	438	
		F04	1401	30	1338	31	1290	32	1234	34	1179	35	1126	1073	1014	
	W2	F02^	1828	32	1778	33	1731	34	1687	35	1643	36	1597	1556	1512	
		F04	1401	42	1338	44	1290	46	1234	48	1179	50	1126	1073	1014	
		F05	1627	36	1574	38	1526	39	1479	40	1428	41	1370	1326	1285	
GM9C80 1004C*	W/W1	F01^	1405	37	1356	38	1308	40	1262	41	1210	43	1155	1102	1057	25- 55
		F03^^	802	N/A	724	N/A	637	N/A	551	N/A	468	N/A	389	342	294	
		F04	1260	41	1207	43	1156	45	1103	47	1037	50	982	932	878	
	W2	F02^	1846	40	1807	41	1762	42	1731	43	1685	44	1646	1615	1574	
		F04^^	1260	N/A	1207	N/A	1156	N/A	1103	N/A	1037	N/A	982	932	878	
		F05	1811	41	1769	42	1730	43	1686	44	1649	45	1610	1572	1525	
GM9C80 1005C*	W/W1	F01^	1589	33	1539	34	1498	35	1459	36	1417	37	1377	1334	1293	25- 55
		F03^^	1034	N/A	745	N/A	642	N/A	550	N/A	462	N/A	374	329	287	
		F04	1579	33	1525	34	1483	35	1443	36	1400	37	1358	1313	1260	
	W2	F02^	2153	34	2119	35	2073	36	2044	36	2003	37	1971	1939	1907	
		F04	1579	47	1525	49	1483	50	1443	51	1400	53	1358	1313	1260	
		F05	1891	39	1843	40	1804	41	1767	42	1730	43	1698	1660	1626	
GM9C80 1205D*	W/W1	F01^	1355	46	1301	48	1249	50	1196	52	1142	54	1078	1023	970	40-70
		F03^^	851	N/A	774	N/A	692	N/A	615	N/A	535	N/A	470	411	359	
		F04	1154	54	1098	57	1043	60	983	63	932	67	874	819	755	
	W2	F02^	1806	49	1764	50	1729	51	1688	53	1654	54	1615	1578	1535	
		F04^^	1154	N/A	1098	N/A	1043	N/A	983	N/A	932	N/A	874	819	755	
		F05	1712	52	1660	54	1614	55	1580	56	1540	58	1501	1461	1417	

Note: ^ DEFAULT SPEED
^^NOT RECOMMENDED FOR HEATING

GC9C80 LOW STAGE COOLING AIRFLOW DATA

LOW STAGE COOLING AIRFLOW										
MODEL	THER-MOSTAT CALL	TAP #	EXTERNAL STATIC PRESSURE, (INCHES WATER COLUMN)							
			0.1	0.2	0.3	0.4	0.5	0.6	0.7	0.8
			CFM	CFM	CFM	CFM	CFM	CFM	CFM	CFM
GC9C80 0403A*	Y/Y1	F01	712	663	610	559	514	462	395	337
		F02	1120	1081	1053	1022	990	955	918	887
		F03	619	568	510	459	404	325	269	216
		F04^	825	784	741	694	650	609	563	520
		F05	1000	963	930	893	852	816	776	745
		F06	889	844	799	758	721	684	646	601
		F07	1212	1198	1161	1138	1103	1076	1037	1007
		F08	1362	1342	1307	1273	1252	1237	1211	1185
		F09	1426	1405	1380	1359	1335	1312	1280	1254
GC9C80 0603A*	Y/Y1	F01	706	655	604	555	505	455	395	328
		F02	1035	991	951	913	876	844	807	770
		F03	630	572	521	466	411	341	269	216
		F04^	897	851	808	764	725	686	646	603
		F05	1155	1113	1074	1039	1006	974	945	913
		F06	1123	1077	1041	1006	973	941	907	875
		F07	1255	1214	1181	1147	1116	1087	1056	1028
		F08	1388	1331	1298	1266	1235	1207	1179	1151
		F09	1421	1380	1348	1318	1289	1262	1233	1207
GC9C80 0603B*	Y/Y1	F01	868	811	752	692	631	510	452	399
		F02	1157	1105	1058	1014	968	924	877	827
		F03	738	672	598	510	413	360	309	N/A
		F04^	967	912	861	809	755	693	609	565
		F05	1207	1158	1112	1065	1021	978	934	886
		F06	1215	1182	1146	1111	1078	1041	1007	975
		F07	1325	1294	1254	1213	1176	1137	1097	1054
		F08	1352	1324	1293	1264	1229	1199	1170	1138
		F09	1464	1430	1394	1358	1322	1302	1267	1232
GC9C80 0804B*	Y/Y1	F01	1011	958	912	866	815	763	710	642
		F02	1393	1348	1308	1270	1230	1196	1158	1123
		F03	760	697	636	569	481	402	349	300
		F04^	1309	1261	1218	1182	1142	1103	1064	1025
		F05	1459	1414	1371	1336	1297	1264	1229	1193
		F06	1580	1534	1495	1459	1429	1390	1356	1324
		F07	1753	1713	1677	1642	1611	1576	1549	1518
		F08	1523	1483	1438	1403	1370	1336	1299	1266
		F09	1643	1599	1562	1525	1491	1462	1431	1394
GC9C80 0805C*	Y/Y1	F01	1176	1105	1020	935	864	797	729	673
		F02	1513	1459	1400	1335	1253	1182	1122	1067
		F03	1022	813	674	585	511	431	334	282
		F04^	1640	1595	1540	1489	1436	1367	1307	1254
		F05	1843	1786	1747	1690	1643	1575	1497	1435
		F06	1859	1819	1779	1734	1691	1641	1593	1520
		F07	2028	1982	1946	1907	1861	1814	1749	1683
		F08	2096	2045	2006	1974	1927	1882	1818	1765
		F09	2203	2170	2138	2113	2074	2032	1990	1948

Note: ^ DEFAULT SPEED

LOW STAGE COOLING AIRFLOW										
MODEL	THER- MOSTAT CALL	TAP #	EXTERNAL STATIC PRESSURE, (INCHES WATER COLUMN)							
			0.1	0.2	0.3	0.4	0.5	0.6	0.7	0.8
			CFM	CFM	CFM	CFM	CFM	CFM	CFM	CFM
GC9C80 1005C*	Y/Y1	F01	1628	1571	1521	1472	1425	1380	1337	1291
		F02	2159	2116	2072	2032	1992	1953	1916	1882
		F03	956	777	675	587	468	377	324	296
		F04^	1561	1499	1441	1385	1336	1289	1243	1197
		F05	2222	2174	2132	2090	2053	2013	1976	1944
		F06	1833	1784	1735	1688	1645	1605	1562	1520
		F07	1714	1659	1611	1564	1519	1473	1432	1387
		F08	1926	1894	1849	1807	1764	1720	1683	1642
		F09	1899	1853	1804	1761	1720	1681	1640	1602

Note: ^ DEFAULT SPEED

GC9C80 HIGH STAGE COOLING AIRFLOW DATA

LOW STAGE COOLING AIRFLOW										
MODEL	THER-MOSTAT CALL	TAP #	EXTERNAL STATIC PRESSURE, (INCHES WATER COLUMN)							
			0.1	0.2	0.3	0.4	0.5	0.6	0.7	0.8
			CFM	CFM	CFM	CFM	CFM	CFM	CFM	CFM
GC9C80 0403A*	Y2	F01	712	663	610	559	514	462	395	337
		F02	1120	1081	1053	1022	990	955	918	887
		F03	619	568	510	459	404	325	269	216
		F04	825	784	741	694	650	609	563	520
		F05^	1000	963	930	893	852	816	776	745
		F06	889	844	799	758	721	684	646	601
		F07	1212	1198	1161	1138	1103	1076	1037	1007
		F08	1362	1342	1307	1273	1252	1237	1211	1185
		F09	1426	1405	1380	1359	1335	1312	1280	1254
GC9C80 0603A*	Y2	F01	706	655	604	555	505	455	395	328
		F02	1035	991	951	913	876	844	807	770
		F03	630	572	521	466	411	341	269	216
		F04	897	851	808	764	725	686	646	603
		F05^	1155	1113	1074	1039	1006	974	945	913
		F06	1123	1077	1041	1006	973	941	907	875
		F07	1255	1214	1181	1147	1116	1087	1056	1028
		F08	1388	1331	1298	1266	1235	1207	1179	1151
		F09	1421	1380	1348	1318	1289	1262	1233	1207
GC9C80 0603B*	Y2	F01	868	811	752	692	631	510	452	399
		F02	1157	1105	1058	1014	968	924	877	827
		F03	738	672	598	510	413	360	309	N/A
		F04	967	912	861	809	755	693	609	565
		F05^	1207	1158	1112	1065	1021	978	934	886
		F06	1215	1182	1146	1111	1078	1041	1007	975
		F07	1325	1294	1254	1213	1176	1137	1097	1054
		F08	1352	1324	1293	1264	1229	1199	1170	1138
		F09	1464	1430	1394	1358	1322	1302	1267	1232
GC9C80 0804B*	Y2	F01	1011	958	912	866	815	763	710	642
		F02	1393	1348	1308	1270	1230	1196	1158	1123
		F03	760	697	636	569	481	402	349	300
		F04	1309	1261	1218	1182	1142	1103	1064	1025
		F05^	1459	1414	1371	1336	1297	1264	1229	1193
		F06	1580	1534	1495	1459	1429	1390	1356	1324
		F07	1753	1713	1677	1642	1611	1576	1549	1518
		F08	1523	1483	1438	1403	1370	1336	1299	1266
		F09	1643	1599	1562	1525	1491	1462	1431	1394
GC9C80 0805C*	Y2	F01	1176	1105	1020	935	864	797	729	673
		F02	1513	1459	1400	1335	1253	1182	1122	1067
		F03	1022	813	674	585	511	431	334	282
		F04	1640	1595	1540	1489	1436	1367	1307	1254
		F05^	1843	1786	1747	1690	1643	1575	1497	1435
		F06	1859	1819	1779	1734	1691	1641	1593	1520
		F07	2028	1982	1946	1907	1861	1814	1749	1683
		F08	2096	2045	2006	1974	1927	1882	1818	1765
		F09	2203	2170	2138	2113	2074	2032	1990	1948

Note: ^ DEFAULT SPEED

LOW STAGE COOLING AIFLOW										
MODEL	THER-MOSTAT CALL	TAP #	EXTERNAL STATIC PRESSURE, (INCHES WATER COLUMN)							
			0.1	0.2	0.3	0.4	0.5	0.6	0.7	0.8
			CFM	CFM	CFM	CFM	CFM	CFM	CFM	CFM
GC9C80 1005C*	Y2	F01	1628	1571	1521	1472	1425	1380	1337	1291
		F02	2159	2116	2072	2032	1992	1953	1916	1882
		F03	956	777	675	587	468	377	324	296
		F04	1561	1499	1441	1385	1336	1289	1243	1197
		F05^	2222	2174	2132	2090	2053	2013	1976	1944
		F06	1833	1784	1735	1688	1645	1605	1562	1520
		F07	1714	1659	1611	1564	1519	1473	1432	1387
		F08	1926	1894	1849	1807	1764	1720	1683	1642
		F09	1899	1853	1804	1761	1720	1681	1640	1602

Note: ^ DEFAULT SPEED

RECOMMENDED AIRFLOW SPEEDS FOR CONNECTION WITH 2 STAGE OUTDOOR MODELS		
FURNACE MODEL	Y2	Y1
GC9C800805C*	F05	F01

GC9C80 CIRCULATION AIRFLOW DATA

CIRCULATION AIRFLOW										
MODEL	THER-MOSTAT CALL	TAP #	EXTERNAL STATIC PRESSURE, (INCHES WATER COLUMN)							
			0.1	0.2	0.3	0.4	0.5	0.6	0.7	0.8
			CFM	CFM	CFM	CFM	CFM	CFM	CFM	CFM
GC9C80 0403A*	G	F01	712	663	610	559	514	462	395	337
		F02	1120	1081	1053	1022	990	955	918	887
		F03	619	568	510	459	404	325	269	216
		F04	825	784	741	694	650	609	563	520
		F05	1000	963	930	893	852	816	776	745
		F06	889	844	799	758	721	684	646	601
		F07	1212	1198	1161	1138	1103	1076	1037	1007
		F08	1362	1342	1307	1273	1252	1237	1211	1185
		F09	1426	1405	1380	1359	1335	1312	1280	1254
GC9C80 0603A*	G	F01	706	655	604	555	505	455	395	328
		F02	1035	991	951	913	876	844	807	770
		F03	630	572	521	466	411	341	269	216
		F04	897	851	808	764	725	686	646	603
		F05	1155	1113	1074	1039	1006	974	945	913
		F06	1123	1077	1041	1006	973	941	907	875
		F07	1255	1214	1181	1147	1116	1087	1056	1028
		F08	1388	1331	1298	1266	1235	1207	1179	1151
		F09	1421	1380	1348	1318	1289	1262	1233	1207
GC9C80 0603B*	G	F01	868	811	752	692	631	510	452	399
		F02	1157	1105	1058	1014	968	924	877	827
		F03	738	672	598	510	413	360	309	N/A
		F04	967	912	861	809	755	693	609	565
		F05	1207	1158	1112	1065	1021	978	934	886
		F06	1215	1182	1146	1111	1078	1041	1007	975
		F07	1325	1294	1254	1213	1176	1137	1097	1054
		F08	1352	1324	1293	1264	1229	1199	1170	1138
		F09	1464	1430	1394	1358	1322	1302	1267	1232
GC9C80 0804B*	G	F01	1011	958	912	866	815	763	710	642
		F02	1393	1348	1308	1270	1230	1196	1158	1123
		F03	760	697	636	569	481	402	349	300
		F04	1309	1261	1218	1182	1142	1103	1064	1025
		F05	1459	1414	1371	1336	1297	1264	1229	1193
		F06	1580	1534	1495	1459	1429	1390	1356	1324
		F07	1753	1713	1677	1642	1611	1576	1549	1518
		F08	1523	1483	1438	1403	1370	1336	1299	1266
		F09	1643	1599	1562	1525	1491	1462	1431	1394
GC9C80 0805C*	G	F01	1176	1105	1020	935	864	797	729	673
		F02	1513	1459	1400	1335	1253	1182	1122	1067
		F03	1022	813	674	585	511	431	334	282
		F04	1640	1595	1540	1489	1436	1367	1307	1254
		F05	1843	1786	1747	1690	1643	1575	1497	1435
		F06	1859	1819	1779	1734	1691	1641	1593	1520
		F07	2028	1982	1946	1907	1861	1814	1749	1683
		F08	2096	2045	2006	1974	1927	1882	1818	1765
		F09	2203	2170	2138	2113	2074	2032	1990	1948

Note: ^ DEFAULT SPEED

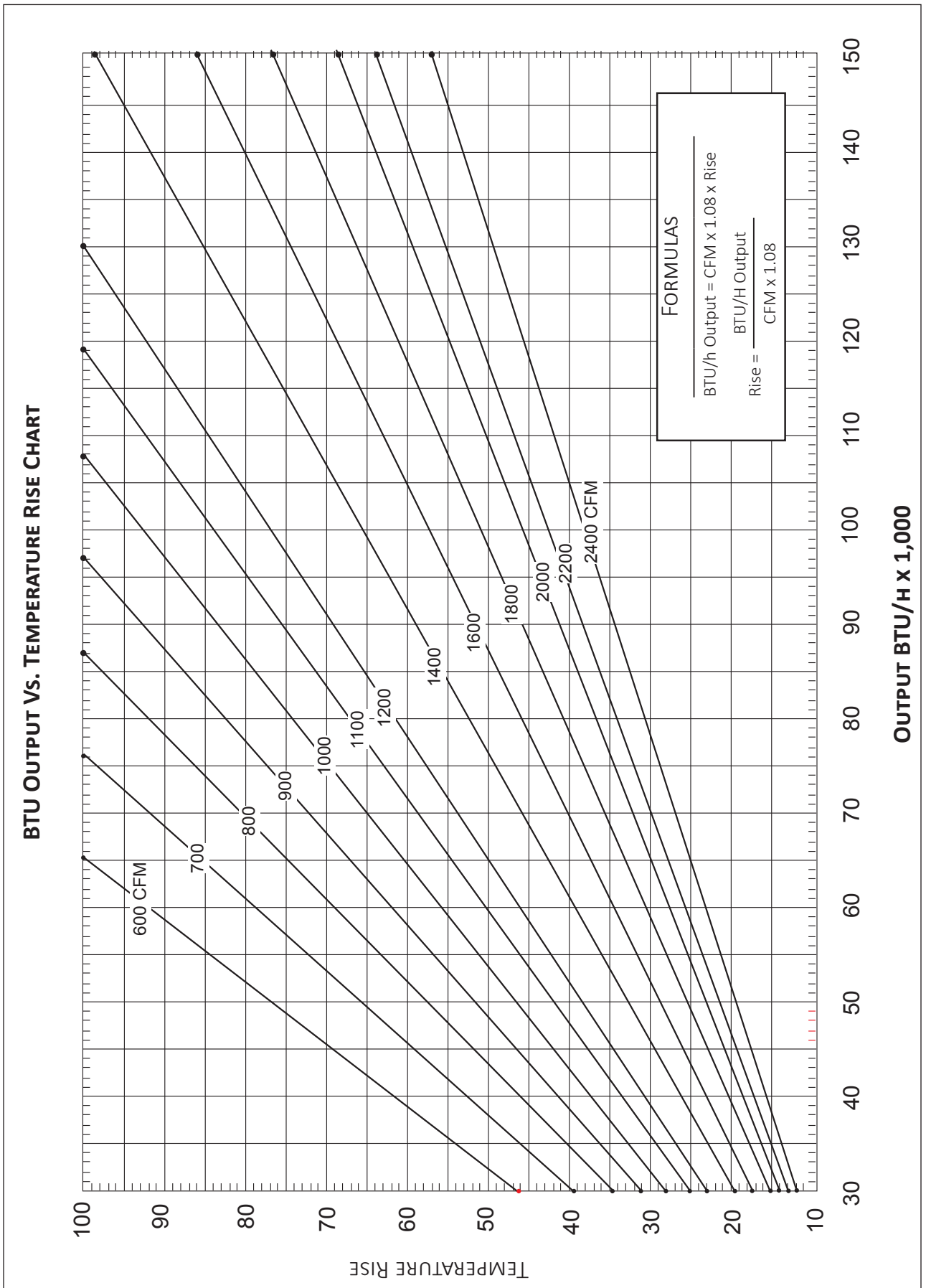
CIRCULATION AIFLOW										
MODEL	THER-MOSTAT CALL	TAP #	EXTERNAL STATIC PRESSURE, (INCHES WATER COLUMN)							
			0.1	0.2	0.3	0.4	0.5	0.6	0.7	0.8
			CFM	CFM	CFM	CFM	CFM	CFM	CFM	CFM
GC9C80 1005C*	G	F01	1628	1571	1521	1472	1425	1380	1337	1291
		F02	2159	2116	2072	2032	1992	1953	1916	1882
		F03	956	777	675	587	468	377	324	296
		F04	1561	1499	1441	1385	1336	1289	1243	1197
		F05	2222	2174	2132	2090	2053	2013	1976	1944
		F06	1833	1784	1735	1688	1645	1605	1562	1520
		F07	1714	1659	1611	1564	1519	1473	1432	1387
		F08	1926	1894	1849	1807	1764	1720	1683	1642
		F09	1899	1853	1804	1761	1720	1681	1640	1602

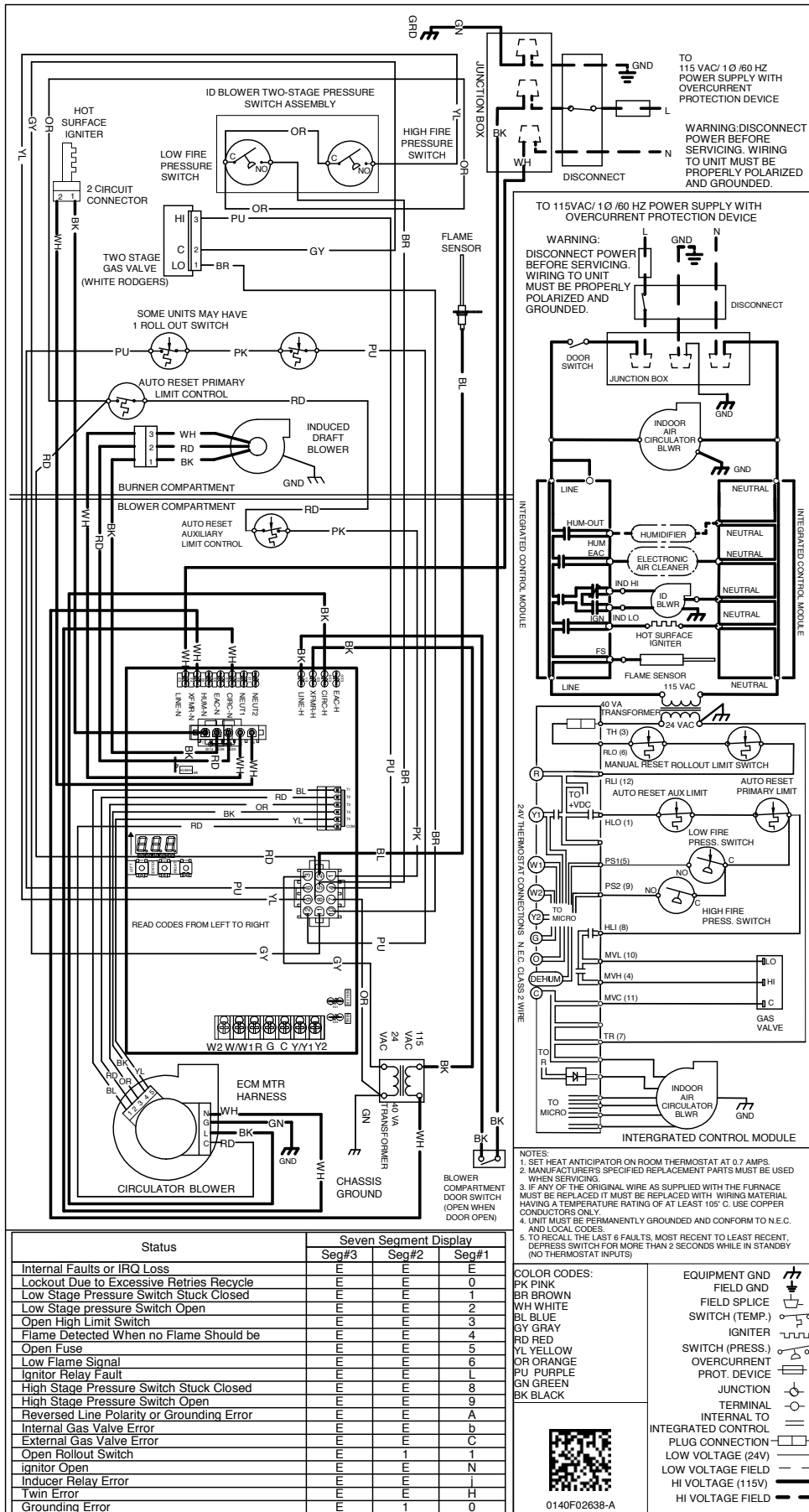
Note: ^ DEFAULT SPEED

GC9C80 HEATING AIRFLOW DATA

HEATING AIRFLOW																TEMP RANGE
MODEL	THER-MOSTAT CALL	TAP #	EXTERNAL STATIC PRESSURE, (INCHES WATER COLUMN)													
			0.1		0.2		0.3		0.4		0.5		0.6	0.7	0.8	
			CFM	RISE	CFM	RISE	CFM	RISE	CFM	RISE	CFM	RISE	CFM	CFM	CFM	
GC9C80 0403A*	W/W1	F01^	712	29	663	31	610	34	559	37	514	40	514	395	337	15-45
		F03^^	619	N/A	568	N/A	510	N/A	459	N/A	404	N/A	325	269	216	
		F04	825	25	784	26	741	28	694	30	650	32	609	563	520	
	W2	F02^	1120	26	1081	27	1053	28	1022	29	990	30	955	918	887	
		F04	825	36	784	38	741	40	694	43	650	45	609	563	520	
		F05	1000	30	963	31	930	32	893	33	852	35	816	776	745	
GC9C80 0603A*	W/W1	F01^	706	44	655	48	604	52	555	56	505	N/A	455	395	328	25-55
		F03^^	630	N/A	572	N/A	521	N/A	466	N/A	411	N/A	341	269	216	
		F04	897	35	851	37	808	39	764	41	725	43	686	646	603	
	W2	F02^	1035	43	991	45	951	47	913	49	876	51	844	807	770	
		F04^^	897	N/A	851	N/A	808	N/A	764	N/A	725	N/A	686	646	603	
		F05	1155	38	1113	40	1074	41	1039	43	1006	44	974	945	913	
GC9C80 0603B*	W/W1	F01^	868	36	811	38	752	41	692	45	631	49	510	452	399	25-55
		F03^^	738	N/A	672	N/A	598	N/A	510	N/A	413	N/A	360	309	N/A	
		F04	967	32	912	34	861	36	809	38	755	41	693	609	565	
	W2	F02^	1157	38	1105	40	1058	42	1014	44	968	46	924	877	827	
		F04^^	967	N/A	912	N/A	861	N/A	809	N/A	755	N/A	693	609	565	
		F05	1207	37	1158	38	1112	40	1065	42	1021	44	978	934	886	
GC9C80 0804B*	W/W1	F01^	1011	41	958	43	912	46	866	48	815	51	763	710	642	30-60
		F03^^	760	N/A	697	N/A	636	N/A	569	N/A	481	N/A	402	349	300	
		F04	1309	32	1261	33	1218	34	1182	35	1142	36	1103	1064	1025	
	W2	F02^	1393	43	1348	44	1308	45	1270	47	1230	48	1196	1158	1123	
		F04	1309	45	1261	47	1218	49	1182	50	1142	52	1103	1064	1025	
		F05	1459	41	1414	42	1371	43	1336	44	1297	46	1264	1229	1193	
GC9C80 0805C*	W/W1	F01^	1176	35	1105	38	1020	41	935	44	864	48	797	729	673	30-60
		F03^^	1022	N/A	813	N/A	674	N/A	585	N/A	511	N/A	431	334	282	
		F04^^	1640	N/A	1595	N/A	1540	N/A	1489	N/A	1436	N/A	1367	1307	1254	
	W2	F02	1513	39	1459	41	1400	42	1335	44	1253	47	1182	1122	1067	
		F04	1640	36	1595	37	1540	38	1489	40	1436	41	1367	1307	1254	
		F05	1843	32	1786	33	1747	34	1690	35	1643	36	1575	1497	1435	
GC9C80 1005C*	W/W1	F01^	1628	32	1571	33	1521	34	1472	35	1425	36	1380	1337	1291	20-50
		F03^^	956	N/A	777	N/A	675	N/A	587	N/A	468	N/A	377	324	296	
		F04	1561	33	1499	35	1441	36	1385	37	1336	39	1289	1243	1197	
	W2	F02^	2159	34	2116	35	2072	36	2032	36	1992	37	1953	1916	1882	
		F04^^	1561	N/A	1499	N/A	1441	N/A	1385	N/A	1336	N/A	1289	1243	1197	
		F05	2222	33	2174	34	2132	35	2090	35	2053	36	2013	1976	1944	

Note: ^ DEFAULT SPEED
^^NOT RECOMMENDED FOR HEATING





High Voltage: Disconnect all power before servicing or installing this unit. Multiple power sources may be present. Failure to do so may cause property damage, personal injury, or death.

WARNING

Wiring is subject to change. Always refer to the wiring diagram or the unit for the most up-to-date wiring.

Status	Seven Segment Display		
	Seg#3	Seg#2	Seg#1
Internal Faults or IRQ Loss	—	—	E
Lockout Due to Excessive Retries Recycle	—	—	0
Low Stage Pressure Switch Stuck Closed	—	—	1
Low Stage Pressure Switch Open	—	—	2
Open High Limit Switch	—	—	3
Flame Detected When no Flame Should be	—	—	4
Open Fuse	—	—	5
Low Flame Signal	—	—	6
Ignitor Relay Fault	—	—	L
High Stage Pressure Switch Stuck Closed	—	—	8
High Stage Pressure Switch Open	—	—	9
Reversed Line Polarity or Grounding Error	—	—	A
Internal Gas Valve Error	—	—	b
External Gas Valve Error	—	—	C
Open Rollout Switch	—	—	N
Ignitor Open	—	—	1
Inducer Relay Error	—	—	H
Twin Error	—	—	I
Grounding Error	—	—	0

MODEL	DESCRIPTION	GM9C80 0403A*	GM9C80 0603A*	GM9C80 0603B*	GM9C80 0803B*	GM9C80 0804B*	GM9C80 0804C*	GM9C80 0805C*	GM9C80 0805D*	GM9C80 1004C*	GM9C80 1005C*	GM9C80 1205D*
AFE18-60A	Fossil Fuel (Dual Fuel) Kit	√	√	√	√	√	√	√	√	√	√	√
HA-02	High-Altitude Natural Gas Kit	√	√	√	√	√	√	√	√	√	√	√
LPLP03	Low LP Gas Pressure Switch	√	√	√	√	√	√	√	√	√	√	√
LPM-06	LP Conversion Kits	√	√	√	√	√	√	√	√	√	√	√

MODEL	DESCRIPTION	GC9C80 0403A*	GC9C80 0603A*	GC9C80 0603B*	GC9C80 0804B*	AC9C80 0805C*	GC9C80 1005C*
SBT14	Downflow Sub-Base 14"	√	√	—	—	—	—
SBT17	Downflow Sub-Base 17.5"	—	—	√	√	—	—
SBT21	Downflow Sub-Base 21"	—	—	—	—	√	√
AFE18-60A	Fossil Fuel (Dual Fuel) Kit	√	√	√	√	√	√
HA-02	High-Altitude Natural Gas Kit	√	√	√	√	√	√
LPLP03	Low LP Gas Pressure Switch	√	√	√	√	√	√
LPM-06	LP Conversion Kits	√	√	√	√	√	√

