

Inverter Driven Heat Pump

30,000 BTU Single Zone Wall Mounted System

Job Name \_\_\_\_\_  
 Location \_\_\_\_\_  
 Engineer \_\_\_\_\_  
 Submitted To \_\_\_\_\_  
 Submitted By \_\_\_\_\_  
 Reference \_\_\_\_\_

Date \_\_\_\_\_  
 Approval \_\_\_\_\_  
 Construction \_\_\_\_\_  
 Unit No \_\_\_\_\_  
 Drawing No \_\_\_\_\_

**PRODUCT FEATURES**

- Auto Changeover
- Weekly & 24 hr. Timer
- Auto Louver: Up/Down
- Minimum Heat Mode (Wi-Fi Adapter required)
- Wireless Remote Control Included
- Auto Restart
- Economy Mode



MODEL NUMBERS			
Indoor Unit	ASUH30LPAS		
Outdoor Unit	AOUH30LPAS1		
System	30LPAS1		
EFFICIENCIES			
SEER	18		
SEER 2	18		
EER	9.8		
EER 2	9.8		
HSPF	11		
HSPF 2	9.8		
COP	kW/kW	3.58	
COP	Btu/hW	12.2	
COP2	kW/kW	3.58	
COP2	Btu/hW	12.2	
OUTDOOR TEMPERATURE OPERATION RANGE			
Cooling	*F(°C)	14 to 115 (-10 to 46)	
Heating		5 to 75 (-15 to 24)	
CAPACITIES			
Cooling	Rated	Btu/h	30000
	Min.-Max.		9,900-32,400
Heating	Rated		30000
	Min.-Max.		8,700-33,000
LINESET REQUIREMENTS			
Connection Method	Flare		
Liquid	in (mm)	Ø3/8 (Ø9.52)	
Gas		Ø5/8 (Ø15.88)	
Pre-charge length	ft (m)	66 (20)	
Minimum Length		16 (5)	
Max. length		164 (50)	
Max. height difference		98 (30)	
INDOOR DIMENSIONS & WEIGHT			
Net (H x W x D)	in (mm)	13-3/8 x 45-1/4 x 11 (340 x 1,150 x 280)	
Gross (H x W x D)		15-15/16 x 50 x 17-11/16 (405 x 1,270 x 450)	
Net Weight	lb (kg)	39 (17.5)	
Gross Weight		51 (23.0)	
OUTDOOR DIMENSIONS & WEIGHT			
Net (H x W x D)	in (mm)	31 x 37 x 12-5/8 (788 x 940 x 320)	
Gross (H x W x D)		38-1/16 x 40-7/16 x 17-1/2 (966 x 1,027 x 445)	
Net Weight	lb (kg)	117 (53)	
Gross Weight		134 (61)	

**Warranty Information**



7 Year Compressor, 5 Year Parts out-of-the-box Warranty



10 Year Compressor, 10 Year Parts Warranty when registered within 60 days of installation in a residence



12 Year Compressor, 12 Year Parts Warranty when registered within 60 days of installation in a residence, and installed by a Fujitsu Elite contractor

**ACCESSORIES**

UTY-RNRUZ*	Wired remote controller
UTY-RSRY	Simple remote controller
UTY-RHRY	Simple remote controller
UTY-XWZX	External Connect Kit
UTY-XWZXZ5	External Connect Kit
UTY-XCSXZ2	External Input and Output PCB
UTY-TWRXZ2	Communication Kit
UTY-TFSXF1	Wireless LAN adapter
UTY-VMSX	Modbus Converter
UTY-TTRXZ1	24V Thermostat Converter
UTY-VTGX	Network Converter



This system combination is Energy Star qualified



+App available in Apple® App Store and Google® Play Store.

Effective Date: 11/4/2022

Due to continuous product improvements, specifications are subject to change without notice. Please log in to the Fujitsu Portal for the most up-to-date documentation <https://connect.fujitsugeneral.com>

Inverter Driven Heat Pump

30,000 BTU Single Zone Wall Mounted System

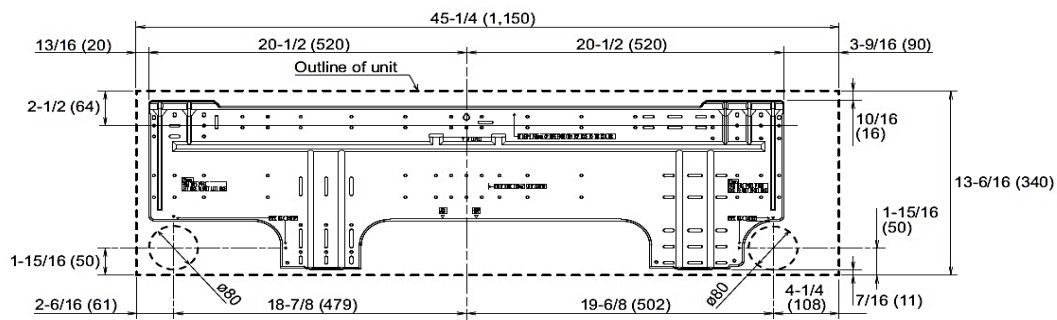
FAN DATA				
Indoor Unit Airflow rate	Cooling	HIGH	CFM (m3/h)	812 (1,380)
		MED		665 (1,130)
		LOW		536 (910)
		QUIET		418 (710)
	Heating	HIGH		812 (1,380)
		MED		665 (1,130)
		LOW		536 (910)
		QUIET		418 (710)
Outdoor Unit Airflow rate	Cooling		2,187 (3,715)	
	Heating		2,187 (3,715)	
SOUND PRESSURE				
Indoor Unit	Cooling	HIGH	dB (A)	50
		MED		45
		LOW		38
		QUIET		32
	Heating	HIGH		49
		MED		44
		LOW		38
		QUIET		32
Outdoor Unit	Cooling		52	
	Heating		54	
REFRIGERANT				
Type				R410A
Charge	lb oz			4 lb 10 oz
	g			2100
Oil Type				POE (RB68)

ELECTRICAL SPECIFICATIONS				
Voltage/Frequency/Phase		208/230 V ~ 60 Hz		
Available Voltage Range		187–253 V		
Current	Cooling	Rated	A	13.4
	Heating	Rated		10.9
Maximum Operating Current	Cooling			18.9
	Heating			18.9
Starting Current				13.4
MCA				23.4
Maximum Circuit Breaker				30
Input Power	Cooling	Rated		kW
		Min.–Max.	0.45–4.03	
	Heating	Rated	2.46	
Min.–Max.		0.53–3.15		
Power Factor	Cooling		99.6	
	Heating		98.1	
OTHER				
Moisture Removal		pints/h (L/h)	9.7 (4.6)	
Energy Star			Yes	
Drain hose	Material		PP+HDPE	
	Tip diameter	in (mm)	Ø17/32 (Ø13.8) (I.D.), Ø19/32 to 21/32 (Ø15.0 to 16.8)	
Operation Range	Cooling	°F (°C)	64 to 90 (18 to 32)	
	Heating	%RH	80 or less	
		°F (°C)	86 (30) or less	

DIMENSIONS:

Units: In. (mm)

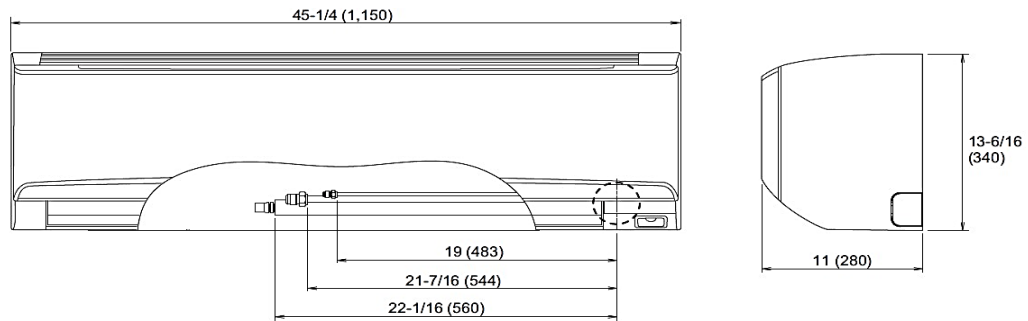
Wall Bracket Data:



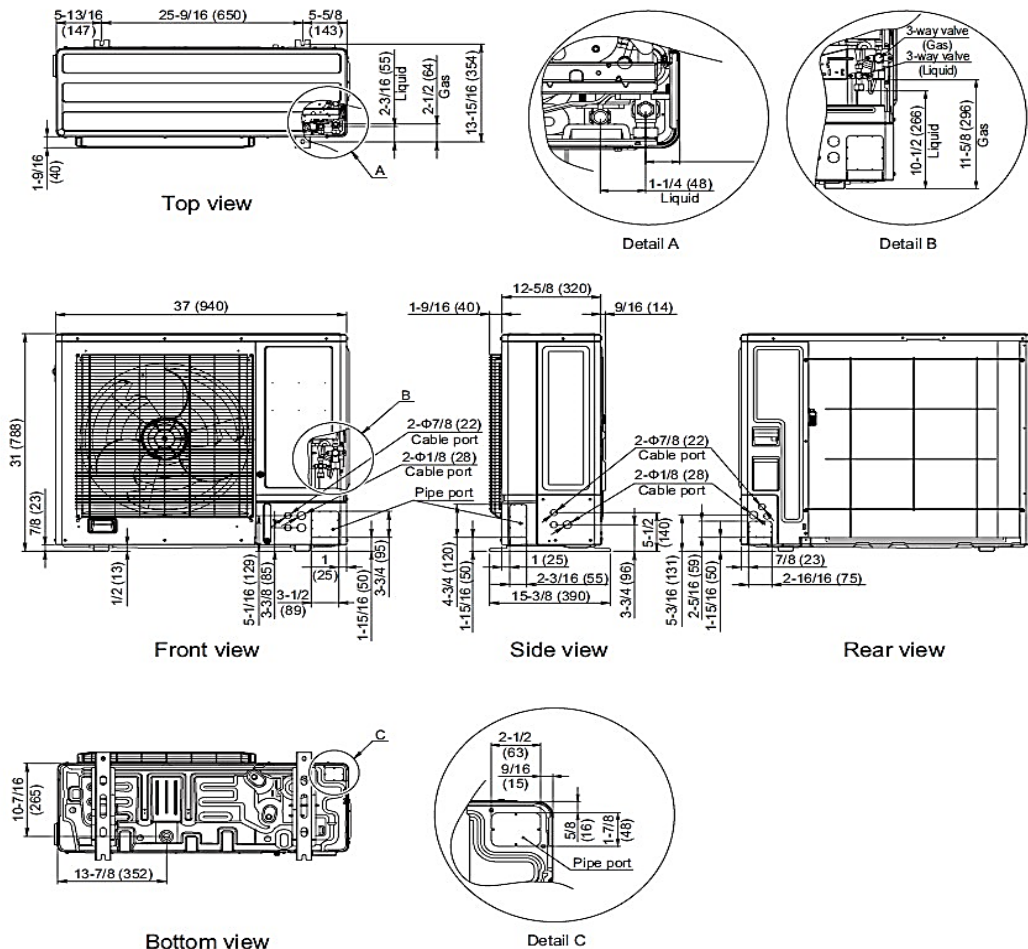
DIMENSIONS

Units: In. (mm)

Indoor Unit



Outdoor Unit



The Fujitsu logo is a worldwide trademark of Fujitsu General Limited. The Airstage logo and name is a worldwide trademark of Fujitsu General Limited and is a registered trademark in Japan, the USA and other countries or areas. Copyright 2022 Fujitsu General America, Inc. Fujitsu's products are subject to continuous improvements. Fujitsu reserves the right to modify product design, specifications and information in this brochure without notice and without incurring any obligations.

Note: Specifications are based on the following conditions:  
 Cooling: Indoor temperature of 80°F (26.7°C) DB/67°F (19.4°C) WB, and outdoor temperature of 95°F (35°C) DB/75°F (23.9°C) WB. Heating: Indoor temperature of 70°F (21.1°C) DB/60°F (15.6°C) WB, and outdoor temperature of 47°F (8.3°C) DB/43°F (6.1°C) WB. Pipe length: 25ft. (7.5m), Height difference: 0ft. (0m) (Outdoor unit – indoor unit).