

Inverter Driven Heat Pump

9,000 BTU Single Zone Wall Mounted System

Job Name \_\_\_\_\_  
 Location \_\_\_\_\_  
 Engineer \_\_\_\_\_  
 Submitted To \_\_\_\_\_  
 Submitted By \_\_\_\_\_  
 Reference \_\_\_\_\_

Date \_\_\_\_\_  
 Approval \_\_\_\_\_  
 Construction \_\_\_\_\_  
 Unit No \_\_\_\_\_  
 Drawing No \_\_\_\_\_

**PRODUCT FEATURES**

- Auto Changeover
- 24 hr. Timer
- Automatic airflow adjustment
- Auto/Cool/Dry/Fan/Heat modes
- Powerful Mode
- Cold Prevention
- Wireless Remote Controller Included



MODEL NUMBERS	
Indoor Unit	ASU9RL2
Outdoor Unit	AOU9RL2
System	9RL2

EFFICIENCIES	
SEER	16
SEER 2	16
EER	10.8
EER 2	10.8
HSPF	9
HSPF 2	9
COP	kW/kW 3.8
COP	Btu/hW 13
COP2	kW/kW 3.8
COP2	Btu/hW 13

OUTDOOR TEMPERATURE OPERATION RANGE	
Cooling	*F(°C) 14 to 115 (-10 to 46)
Heating	14 to 75 (-10 to 24)

CAPACITIES			
Cooling	Rated	Btu/h	9000
	Min.-Max.		1,700-10,700
Heating	Rated	Btu/h	10000
	Min.-Max.		1,700-12,000

LINESET REQUIREMENTS	
Connection Method	Flare
Liquid	in (mm) Ø1/4 (Ø6.35)
Gas	Ø3/8 (Ø9.52)
Pre-charge length	49 (15)
Minimum Length	10 (3)
Max. length	66 (20)
Max. height difference	49 (15)

INDOOR DIMENSIONS & WEIGHT	
Net (H x W x D)	in (mm) 10-5/16 x 32-5/16 x 8-1/8 (262 x 820 x 206)
Gross (H x W x D)	10-3/8 x 34-1/4 x 12-15/16 (263 x 870 x 328)
Net Weight	lb (kg) 15 (7)
Gross Weight	20 (9)

OUTDOOR DIMENSIONS & WEIGHT	
Net (H x W x D)	in (mm) 21-1/4 x 26 x 11-11/32 (540 x 660 x 290)
Gross (H x W x D)	24-1/16 x 31-3/8 x 15-13/16 (611 x 797 x 401)
Net Weight	lb (kg) 64 (29)
Gross Weight	68 (31)

**Warranty Information**



7 Year Compressor, 5 Year Parts out-of-the-box Warranty



10 Year Compressor, 10 Year Parts Warranty when registered within 60 days of installation in a residence



12 Year Compressor, 12 Year Parts Warranty when registered within 60 days of installation in a residence, and installed by a Fujitsu Elite contractor

**ACCESSORIES**

FJ-IR-WIFI-1NA	Intesis WiFi IR Module
----------------	------------------------



This system combination is Energy Star qualified



+App available in Apple® App Store and Google® Play Store.

Due to continuous product improvements, specifications are subject to change without notice. Please log in to the Fujitsu Portal for the most up-to-date documentation <https://connect.fujitsugeneral.com>

Effective Date: 11/4/2022

Inverter Driven Heat Pump

9,000 BTU Single Zone Wall Mounted System

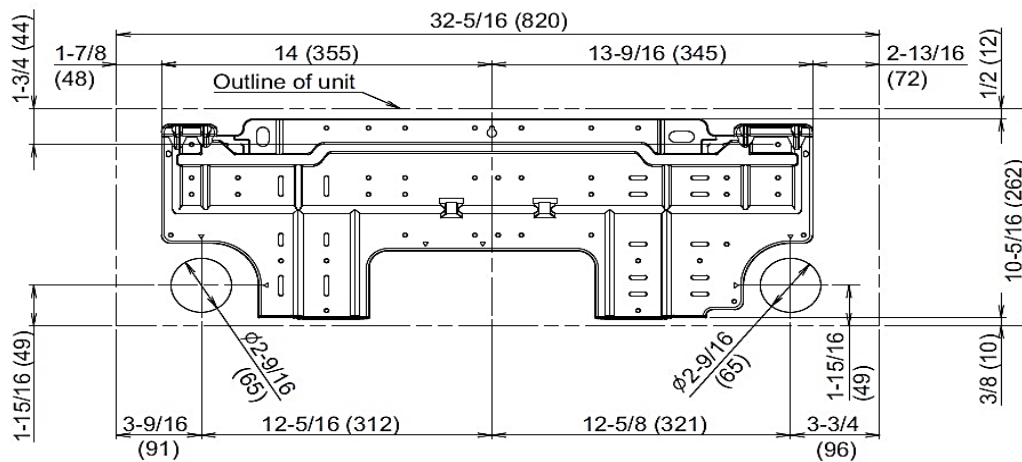
FAN DATA			
Indoor Unit Airflow rate	Cooling	HIGH	424 (720)
		MED	353 (600)
		LOW	247 (420)
		QUIET	191 (325)
	Heating	HIGH	436 (740)
		MED	353 (600)
		LOW	265 (450)
		QUIET	191 (325)
Outdoor Unit Airflow rate	Cooling	1,012 (1,720)	
	Heating	889 (1,510)	
SOUND PRESSURE			
Indoor Unit	Cooling	HIGH	43
		MED	38
		LOW	33
		QUIET	23
	Heating	HIGH	44
		MED	38
		LOW	33
		QUIET	23
Outdoor Unit	Cooling	47	
	Heating	48	
REFRIGERANT			
Type	R410A		
Charge	lb oz	1 lb 7 oz	
	g	650	
Oil Type	POE (VG74)		

ELECTRICAL SPECIFICATIONS				
Voltage/Frequency/Phase		115 V~ 60 Hz		
Available Voltage Range		103.5–126.5 V		
Current	Cooling	Rated	7.5	
	Heating	Rated	7	
Maximum Operating Current	Cooling	A	13	
	Heating		13.5	
Starting Current		7.5		
MCA		13.5		
Maximum Circuit Breaker		15		
Input Power	Cooling	Rated	kW	
		Min.–Max.		0.24–1.44
	Heating	Rated		0.77
		Min.–Max.		0.21–1.49
Power Factor	Cooling	%	96	
	Heating		96	
OTHER				
Moisture Removal	pints/h (L/h)	2.7 (1.3)		
Energy Star	No			
Drain hose	Material	PP+HDPE		
	Tip diameter	in (mm)	Ø17/32 (Ø13.8) (I.D.), Ø19/32 to 21/32 (Ø15 to 16.8) (O.D.)	
Operation Range	Cooling	°F (°C)	64 to 90 (18 to 32)	
		%RH	80 or less	
	Heating	°F (°C)	60 to 88 (16 to 30)	

DIMENSIONS:

Units: In. (mm)

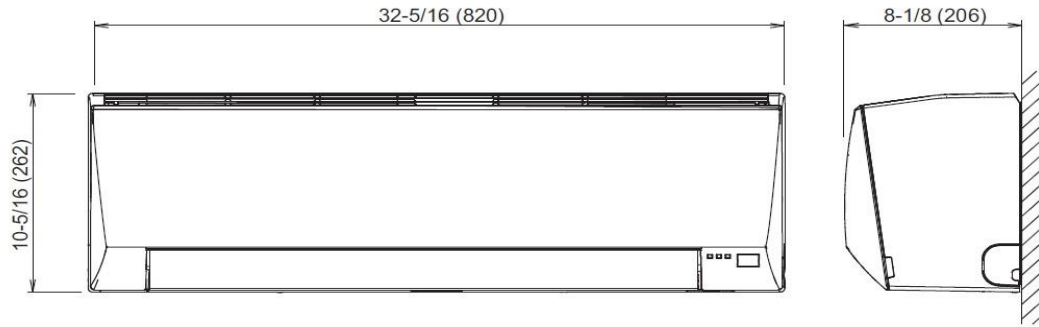
Wall Bracket Data:



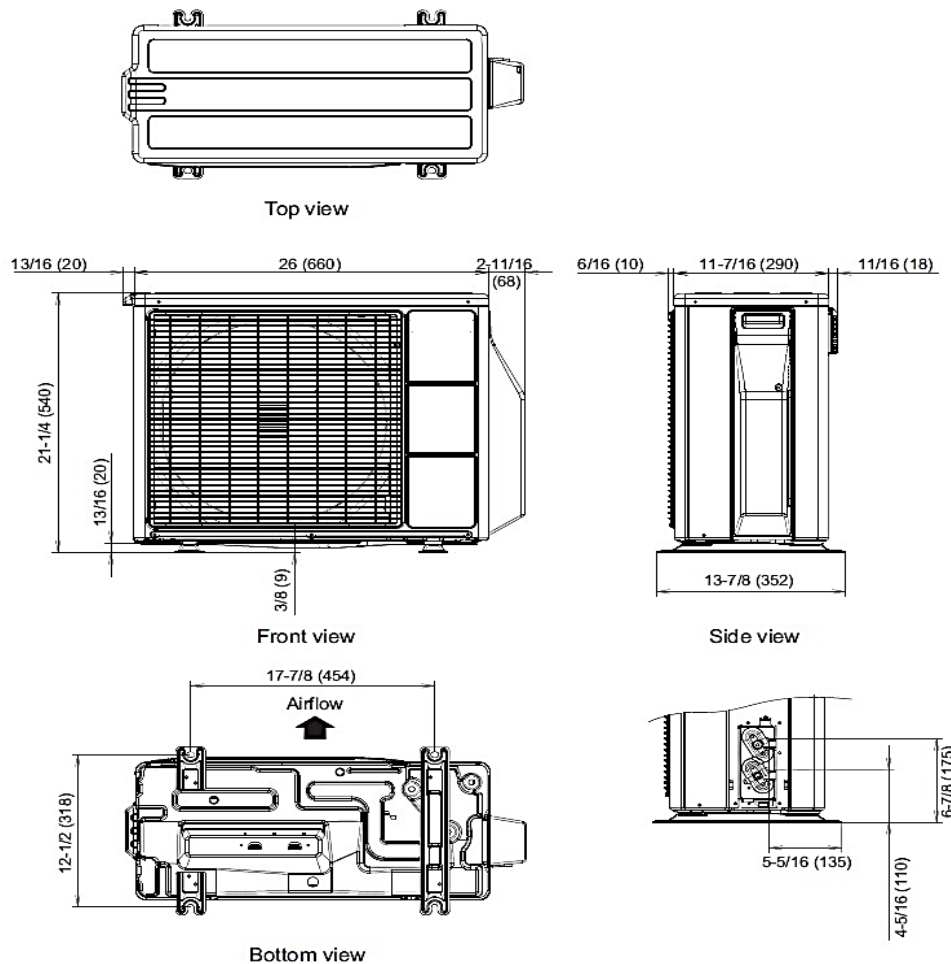
DIMENSIONS

Units: In. (mm)

Indoor Unit



Outdoor Unit



The Fujitsu logo is a worldwide trademark of Fujitsu General Limited. The Airstage logo and name is a worldwide trademark of Fujitsu General Limited and is a registered trademark in Japan, the USA and other countries or areas. Copyright 2022 Fujitsu General America, Inc. Fujitsu's products are subject to continuous improvements. Fujitsu reserves the right to modify product design, specifications and information in this brochure without notice and without incurring any obligations.

Note: Specifications are based on the following conditions:  
 Cooling: Indoor temperature of 80°F (26.7°C) DB/67°F (19.4°C) WB, and outdoor temperature of 95°F (35°C) DB/75°F (23.9°C) WB. Heating: Indoor temperature of 70°F (21.1°C) DB/60°F (15.6°C) WB, and outdoor temperature of 47°F (8.3°C) DB/43°F (6.1°C) WB. Pipe length: 25ft. (7.5m), Height difference: 0ft. (0m) (Outdoor unit - indoor unit).