

Inverter Driven Heat Pump

24,000 BTU Single Zone Wall Mounted System

Job Name \_\_\_\_\_  
 Location \_\_\_\_\_  
 Engineer \_\_\_\_\_  
 Submitted To \_\_\_\_\_  
 Submitted By \_\_\_\_\_  
 Reference \_\_\_\_\_

Date \_\_\_\_\_  
 Approval \_\_\_\_\_  
 Construction \_\_\_\_\_  
 Unit No \_\_\_\_\_  
 Drawing No \_\_\_\_\_

**PRODUCT FEATURES**

- Auto Changeover
- Weekly & 24 hr. Timer
- Auto Louver: Up/Down
- Minimum Heat Mode (Wi-Fi Adapter required)
- Wireless Remote Control Included
- Auto Restart
- Economy Mode
- Energy Saving Program (ESP)
- Outdoor Unit Low Noise Schedule



MODEL NUMBERS			
Indoor Unit	ASUH24LPAS		
Outdoor Unit	AOUH24LPAS1		
System	24LPAS1		
EFFICIENCIES			
SEER	19		
SEER 2	19		
EER	9.2		
EER 2	9.2		
HSPF	11		
HSPF 2	9.8		
COP	kW/kW	3.4	
COP	Btu/hW	11.6	
COP2	kW/kW	3.4	
COP2	Btu/hW	11.6	
OUTDOOR TEMPERATURE OPERATION RANGE			
Cooling	*F(°C)	14 to 115 (-10 to 46)	
Heating		5 to 75 (-15 to 24)	
CAPACITIES			
Cooling	Rated	Btu/h	24000
	Min.-Max.		4,000-24,400
Heating	Rated	Btu/h	24000
	Min.-Max.		2,900-29,000
LINESET REQUIREMENTS			
Connection Method		Flare	
Liquid	in (mm)	Ø 1/4 (Ø 6.35)	
Gas		Ø 1/2 (Ø 12.7)	
Pre-charge length	ft (m)	49 (15)	
Minimum Length		16 (5)	
Max. length		66 (20)	
Max. height difference		49 (15)	
INDOOR DIMENSIONS & WEIGHT			
Net (H x W x D)	in (mm)	11 x 38-9/16 x 9-7/16 (280 x 980 x 240)	
Gross (H x W x D)		12-11/16 x 42-7/16 x 13-5/8 (322 x 1,078 x 346)	
Net Weight	lb (kg)	29 (13)	
Gross Weight		37 (17)	
OUTDOOR DIMENSIONS & WEIGHT			
Net (H x W x D)	in (mm)	24-7/8 x 31-7/16 x 11-7/16 (632 x 799 x 290)	
Gross (H x W x D)		27-1/4 x 37 x 14-3/4 (692 x 940 x 375)	
Net Weight	lb (kg)	86 (39)	
Gross Weight		95 (43)	

**Warranty Information**



7 Year Compressor, 5 Year Parts out-of-the-box Warranty



10 Year Compressor, 10 Year Parts Warranty when registered within 60 days of installation in a residence



12 Year Compressor, 12 Year Parts Warranty when registered within 60 days of installation in a residence, and installed by a Fujitsu Elite contractor

**ACCESSORIES**

UTY-RNRUZ*	Wired remote controller
UTY-RSRY	Simple remote controller
UTY-RHRY	Simple remote controller
UTY-XWZX	External Connect Kit
UTY-XWZXZ5	External Connect Kit
UTY-XCSXZ2	External Input and Output PCB
UTY-TWRXZ2	Communication Kit
UTY-TFSXF1	Wireless LAN adapter
UTY-VMSX	Modbus Converter
UTY-TTRXZ1	24V Thermostat Converter
UTY-VTGX	Network Converter



This system combination is Energy Star qualified



+App available in Apple® App Store and Google® Play Store.

Due to continuous product improvements, specifications are subject to change without notice. Please log in to the Fujitsu Portal for the most up-to-date documentation <https://connect.fujitsugeneral.com>

Effective Date: 10/31/2022

Inverter Driven Heat Pump

24,000 BTU Single Zone Wall Mounted System

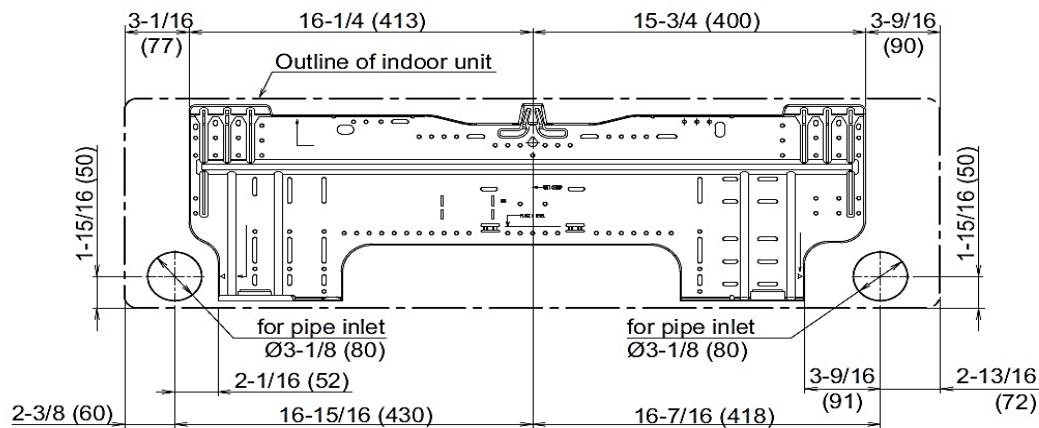
FAN DATA				
Indoor Unit Airflow rate	Cooling	HIGH	CFM (m3/h)	642 (1,090)
		MED		471 (800)
		LOW		377 (640)
		QUIET		306 (520)
	Heating	HIGH		594 (1,010)
		MED		506 (860)
		LOW		377 (640)
		QUIET		306 (520)
Outdoor Unit Airflow rate	Cooling		1,560 (2,650)	
	Heating		1,560 (2,650)	
SOUND PRESSURE				
Indoor Unit	Cooling	HIGH	dB (A)	49
		MED		42
		LOW		37
		QUIET		31
	Heating	HIGH		47
		MED		43
		LOW		37
		QUIET		32
Outdoor Unit	Cooling		53	
	Heating		54	
REFRIGERANT				
Type				R410A
Charge	lb oz			2 lb 16 oz
	g			1350
Oil Type				RB68

ELECTRICAL SPECIFICATIONS					
Voltage/Frequency/Phase		208/230 V ~60 Hz			
Available Voltage Range		187–253 V			
Current	Cooling	Rated	A	11.4	
	Heating	Rated		9.1	
Maximum Operating Current		Cooling		14.4	
		Heating		13.9	
Starting Current				11.4	
MCA				17.2	
Maximum Circuit Breaker				20	
Input Power	Cooling	Rated		kW	2.6
		Min.–Max.	0.15–3.20		
	Heating	Rated	2.07		
Min.–Max.		0.15–3.10			
Power Factor	Cooling				99.2
	Heating				98.9
OTHER					
Moisture Removal		pints/h (L/h)	6.3 (3.0)		
Energy Star		Yes			
Drain hose	Material		PP+HDPE		
	Tip diameter	in (mm)	Ø17/32 (Ø13.8) (I.D.), Ø5/8 to 21/32 (Ø15.8 to 16.7) (O.D.)		
Operation Range	Cooling	°F (°C)	64 to 90 (18 to 32)		
		%RH	80 or less		
	Heating	°F (°C)	86 or less (30 or less)		

DIMENSIONS:

Units: In. (mm)

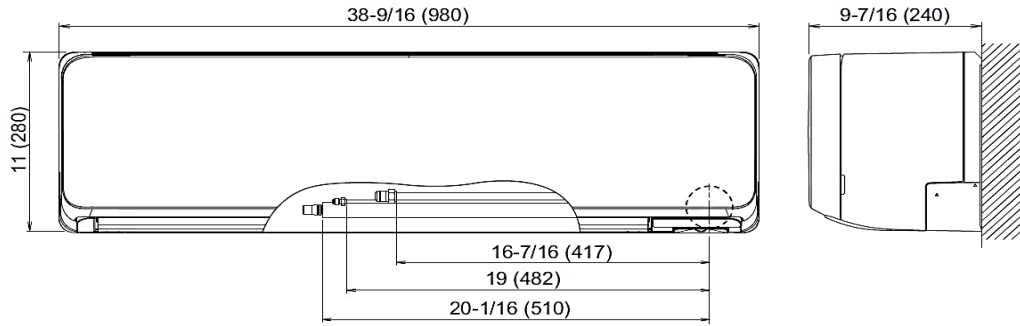
Wall Bracket Data:



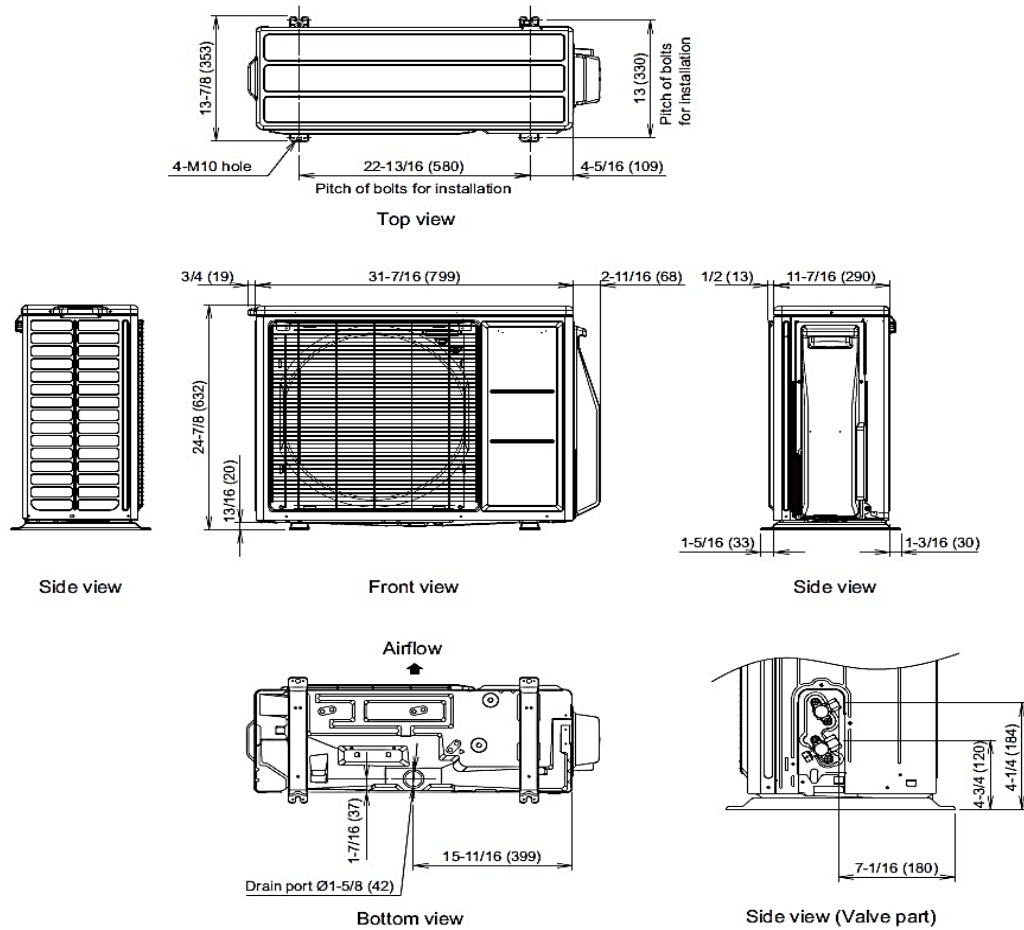
DIMENSIONS

Units: In. (mm)

Indoor Unit



Outdoor Unit



The Fujitsu logo is a worldwide trademark of Fujitsu General Limited. The Airstage logo and name is a worldwide trademark of Fujitsu General Limited and is a registered trademark in Japan, the USA and other countries or areas. Copyright 2022 Fujitsu General America, Inc. Fujitsu's products are subject to continuous improvements. Fujitsu reserves the right to modify product design, specifications and information in this brochure without notice and without incurring any obligations.

Note: Specifications are based on the following conditions:  
 Cooling: Indoor temperature of 80°F (26.7°C) DB/67°F (19.4°C) WB, and outdoor temperature of 95°F (35°C) DB/75°F (23.9°C) WB. Heating: Indoor temperature of 70°F (21.1°C) DB/60°F (15.6°C) WB, and outdoor temperature of 47°F (8.3°C) DB/43°F (6.1°C) WB. Pipe length: 25ft. (7.5m), Height difference: 0ft. (0m) (Outdoor unit - indoor unit).