

Inverter Driven Heat Pump

15,000 BTU Single Zone Floor Mount System

Job Name _____
 Location _____
 Engineer _____
 Submitted To _____
 Submitted By _____
 Reference _____

Date _____
 Approval _____
 Construction _____
 Unit No _____
 Drawing No _____

PRODUCT FEATURES

- Auto Changeover
- 24 hr. Timer
- Auto Louver
- Minimum Heat Mode
- Auto Restart
- Wireless Remote Controller Included
- Powerful Mode
- Floor Level Heating



MODEL NUMBERS			
Indoor Unit	AGU15RLF		
Outdoor Unit	AOU15RLFF		
System	15RLFF		
EFFICIENCIES			
SEER	20.3		
SEER 2	20.3		
EER	12.5		
EER 2	12.5		
HSPF	11.2		
HSPF 2	10.7		
COP	kW/kW	3.34	
COP	Btu/h	11.3	
COP2	kW/kW	3.34	
COP2	Btu/h	11.3	
OUTDOOR TEMPERATURE OPERATION RANGE			
Cooling	*F(°C)	14 to 115 (-10 to 46)	
Heating		-5 to 75 (-21 to 24)	
CAPACITIES			
Cooling	Rated	Btu/h	14200
	Min.-Max.		3,100-17,700
Heating	Rated		18000
	Min.-Max.		3,100-20,800
LINESET REQUIREMENTS			
Connection Method		Flare	
Liquid	in (mm)	Ø 1/4 (Ø 6.35)	
Gas		Ø 1/2 (Ø 12.7)	
Pre-charge length	ft (m)	49 (15)	
Minimum Length		10 (3)	
Max. length		66 (20)	
Max. height difference		49 (15)	
INDOOR DIMENSIONS & WEIGHT			
Net (H x W x D)	in (mm)	23-5/8 x 29-1/8 x 7-7/8 (600 x 740 x 200)	
Gross (H x W x D)		27-9/16 x 32-5/16 x 12-3/16 (700 x 820 x 310)	
Net Weight	lb (kg)	31 (14)	
Gross Weight		37 (17)	
OUTDOOR DIMENSIONS & WEIGHT			
Net (H x W x D)	in (mm)	24-7/16 x 31-1/8 x 11-7/16 (620 x 790 x 290)	
Gross (H x W x D)		28-1/16 x 37-3/16 x 15-9/16 (713 x 945 x 395)	
Net Weight	lb (kg)	86 (39)	
Gross Weight		95 (43)	

Warranty Information



7 Year Compressor, 5 Year Parts out-of-the-box Warranty



10 Year Compressor, 10 Year Parts Warranty when registered within 60 days of installation in a residence



12 Year Compressor, 12 Year Parts Warranty when registered within 60 days of installation in a residence, and installed by a Fujitsu Elite contractor

ACCESSORIES

UTY-RVNUM	Wired remote controller
UTY-RNNUM	Wired remote controller
UTY-RSNUM	Simple remote controller
UTY-XWZXZ5	External Connect Kit
FJ-IR-WIFI-1NA	Intesis IR WiFi module
FJ-RC-WIFI-1BT	Intesis Wired WiFi module



This system combination is Energy Star qualified



+App available in Apple® App Store and Google® Play Store.



Due to continuous product improvements, specifications are subject to change without notice. Please log in to the Fujitsu Portal for the most up-to-date documentation <https://connect.fujitsugeneral.com>

Effective Date: 11/7/2022

Inverter Driven Heat Pump

15,000 BTU Single Zone Floor Mount System

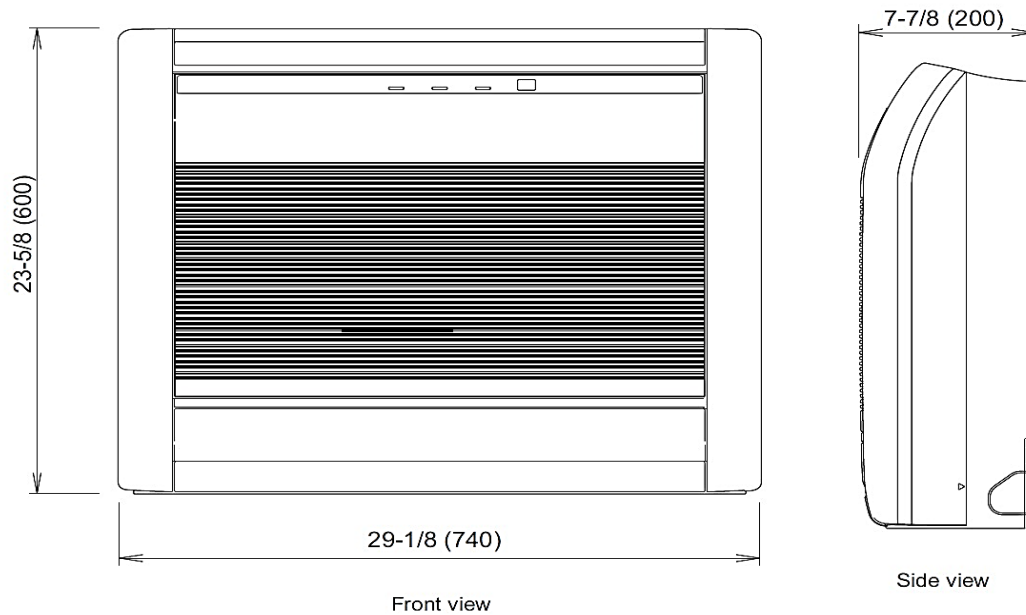
FAN DATA			
Indoor Unit Airflow rate	Cooling	HIGH	383 (650)
		MED	306 (520)
		LOW	235 (400)
		QUIET	159 (270)
Indoor Unit Airflow rate	Heating	HIGH	383 (650)
		MED	306 (520)
		LOW	230 (390)
		QUIET	159 (270)
Outdoor Unit Airflow rate	Cooling		1,457 (2,475)
	Heating		1,386 (2,355)
SOUND PRESSURE			
Indoor Unit	Cooling	HIGH	44
		MED	38
		LOW	31
		QUIET	23
	Heating	HIGH	43
		MED	37
		LOW	29
		QUIET	23
Outdoor Unit	Cooling		54
	Heating		54
REFRIGERANT			
Type			R410A
Charge	lb oz		2lb 12oz
	g		1250
Oil Type			FREOL α68SZ

ELECTRICAL SPECIFICATIONS			
Voltage/Frequency/Phase		208/230 V ~60 Hz	
Available Voltage Range		187-253 V	
Current	Cooling	Rated	5.1
	Heating	Rated	7
Maximum Operating Current	Cooling		9.8
	Heating		13.8
Starting current			7
MCA			13.8
Maximum Circuit Breaker			20
Input Power	Cooling	Rated	1.13
		Min.-Max.	0.18-2.16
	Heating	Rated	1.58
		Min.-Max.	0.18-3.30
Power Factor	Cooling		96.3
	Heating		98.1
OTHER			
Moisture Removal		pints/h (L/h)	4.4 (2.1)
Energy Star			Yes
Drain hose	Material		PP + LLDPE
	Tip diameter	in (mm)	Ø 9/16 (Ø 13.8) (I.D.), Ø 5/8 to Ø 11/16 (Ø 15.8 to Ø 16.7) (O.D.)
Operation Range	Cooling	°F (°C)	64 to 90 (18 to 32)
	Heating	%RH	80 or less
		°F (°C)	60 to 88 (16 to 30)

DIMENSIONS:

Units: In. (mm)

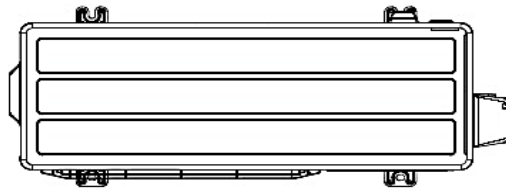
Indoor Unit:



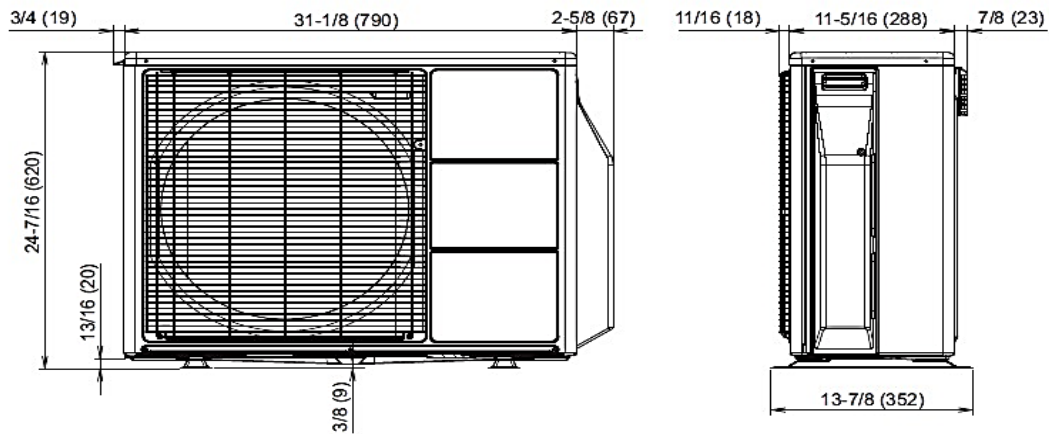
DIMENSIONS

Units: In. (mm)

Outdoor Unit

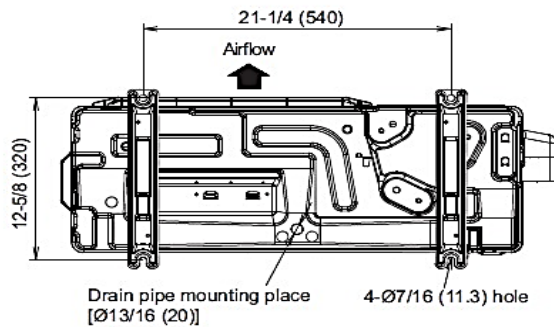


Top view

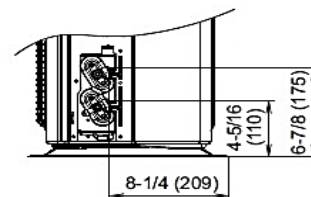


Front view

Side view



Bottom view



The Fujitsu logo is a worldwide trademark of Fujitsu General Limited. The Airstage logo and name is a worldwide trademark of Fujitsu General Limited and is a registered trademark in Japan, the USA and other countries or areas. Copyright 2022 Fujitsu General America, Inc. Fujitsu's products are subject to continuous improvements. Fujitsu reserves the right to modify product design, specifications and information in this brochure without notice and without incurring any obligations.

Note: Specifications are based on the following conditions:
 Cooling: Indoor temperature of 80°F (26.7°C) DB/67°F (19.4°C) WB, and outdoor temperature of 95°F (35°C) DB/75°F (23.9°C) WB. Heating: Indoor temperature of 70°F (21.1°C) DB/60°F (15.6°C) WB, and outdoor temperature of 47°F (8.3°C) DB/43°F (6.1°C) WB. Pipe length: 25ft. (7.5m), Height difference: 0ft. (0m) (Outdoor unit – indoor unit).