

Inverter Driven Heat Pump

30,000 BTU Multi Position AHU

Job Name \_\_\_\_\_  
 Location \_\_\_\_\_  
 Engineer \_\_\_\_\_  
 Submitted To \_\_\_\_\_  
 Submitted By \_\_\_\_\_  
 Reference \_\_\_\_\_

Date \_\_\_\_\_  
 Approval \_\_\_\_\_  
 Construction \_\_\_\_\_  
 Unit No \_\_\_\_\_  
 Drawing No \_\_\_\_\_

**PRODUCT FEATURES**

- Up to 1.0" WC
- 2-Wire Wired Remote Controls
- Aluminum Indoor Unit Coil
- True four position : Up,Down,Right/Left
- Long Lineset Lengths (up to 246')
- Low Air Leakage Rate (2% or less)
- Built in Base Pan Heater
- Heating operation rated down to -15°F outdoor temperature
- Integral Electric Heat Kit - Optional
- Airzone Zoning Kit - Optional



MODEL NUMBERS			
Indoor Unit	AMUG30LMAS		
Outdoor Unit	AOUH30LUAH1		
System	30LUAH1M		
EFFICIENCIES			
SEER	19.1		
SEER 2	18.8		
EER	12		
EER 2	11.7		
HSPF	10.5		
HSPF 2	9.7		
COP	kW/kW	3.64	
COP	Btu/hW	12.42	
COP2	kW/kW	3.46	
COP2	Btu/hW	11.81	
OUTDOOR TEMPERATURE OPERATION RANGE			
Cooling	*F(*C)	-5 to 115 (-21 to 46)	
Heating		-15 to 75 (-26 to 24)	
CAPACITIES			
Cooling	Rated	Btu/h	28600
	Min.-Max.		9,600-35,000
Heating	Rated	Btu/h	32000
	Min.-Max.		9,200-39,000
LINESET REQUIREMENTS			
Connection Method		Flare	
Liquid	in (mm)	Ø 3/8 (Ø 9.52)	
Gas		Ø 5/8 (Ø 15.88)	
Pre-charge length	ft (m)	98 (30)	
Minimum Length		16 (5)	
Max. length		246 (75)	
Max. height difference		98 (30)	
INDOOR DIMENSIONS & WEIGHT			
Net (H x W x D)	in (mm)	42-1/2 x 21 x 21-11/16	
Gross (H x W x D)		42-3/4 x 24 x 25-5/16	
Net Weight	lb (kg)	104 (47.0)	
Gross Weight		116 (52.5)	
OUTDOOR DIMENSIONS & WEIGHT			
Net (H x W x D)	in (mm)	39-5/16 x 38-3/16 x 14-9/16 (998 x 970 x 370)	
Gross (H x W x D)		45-3/4 x 41-7/8 x 18-13/16	
Net Weight	lb (kg)	187 (85)	
Gross Weight		209 (95)	

**Warranty Information**



7 Year Compressor, 5 Year Parts out-of-the-box Warranty

10 Year Compressor, 10 Year Parts Warranty when registered within 60 days of installation in a residence

12 Year Compressor, 12 Year Parts Warranty when registered within 60 days of installation in a residence, and installed by a Fujitsu Elite contractor

**ACCESSORIES**

UTY-RNRUZ-Series	Wired Remote Controller
UTY-RSRY	Simple Remote Controller
UTY-RHRY	Simple Remote Controller
UTY-LBTUM	IR Receiver Kit with Wireless Remote Controller
UTY-XSZX	Remote Sensor Unit
UTY-XWZXZG	External Connect Kit
UTY-XCSX	External Input and Output PCB
UTY-XWZXZJ	Wire Kit
UTY-VTGX	Network Converter
UTY-TTRXZ1	Thermostat Converter
UTY-VMSX	Modbus Converter

Due to continuous product improvements, specifications are subject to change without notice. Please log in to the Fujitsu Portal for the most up-to-date documentation <https://connect.fujitsugeneral.com>

Effective Date: 3/30/2023

Inverter Driven Heat Pump

30,000 BTU Multi Position AHU

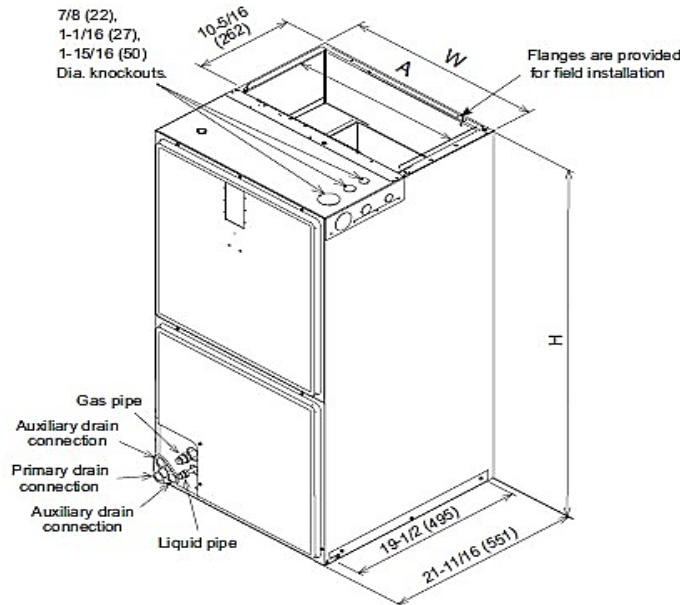
FAN DATA			
Indoor Unit Airflow rate	Cooling	HIGH	870 (1,478)
		MED	730 (1,240)
		LOW	590 (1,002)
		QUIET	310 (527)
	Heating	HIGH	870 (1,478)
		MED	730 (1,240)
		LOW	590 (1,002)
		QUIET	310 (527)
Outdoor Unit Airflow rate	Cooling	2,590 (4,400)	
	Heating	2,590 (4,400)	
SOUND PRESSURE			
Indoor Unit	Cooling	HIGH	42
		MED	37
		LOW	33
		QUIET	28
	Heating	HIGH	39
		MED	36
		LOW	32
		QUIET	25
Outdoor Unit	Cooling	52	
	Heating	53	
REFRIGERANT			
Type	R410A		
Charge	lb oz	7 lb 8 oz	
	g	3400	
Oil Type	POE (RB68)		

ELECTRICAL SPECIFICATIONS			
Voltage/Frequency/Phase		208/230 V ~ 60 Hz	
Available Voltage Range		187–253 V	
Current	Cooling	Rated	11
	Heating	Rated	12.1
Maximum Operating Current	Cooling	A	19.8
	Heating		26.8
Starting current		11.4	
MCA		31.9	
Maximum Circuit Breaker		35	
Input Power	Cooling	Rated	kW
		Min.–Max.	
	Heating	Rated	
Power Factor	Cooling	%	96.4
	Heating		97.4
OTHER			
Moisture Removal	pints/h (L/h)	6.8 (3.2)	
Energy Star		No	
Drain hose	Material	LDPE	
	Tip diameter	in (mm)	Ø1/2 (13.0) [I.D.], Ø5/8 to Ø11/16 (16.0 to 16.7) [O.D.]
Operation Range	Cooling	°F (°C)	64 to 90 (18 to 32)
	Heating	%RH	80 or less
Static pressure range		inWG (Pa)	0.08 to 1 (20 to 250)

DIMENSIONS:

Units: In. (mm)

Indoor Unit:



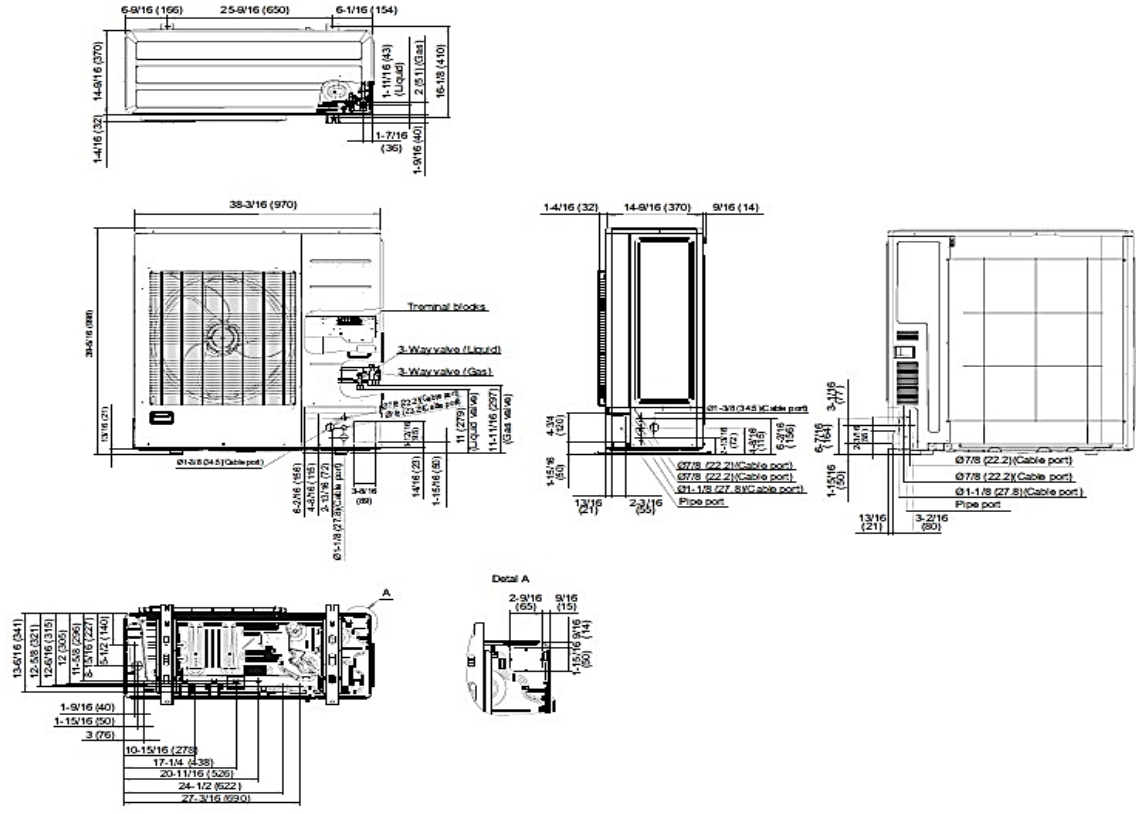
Model	A (Supply duct)	W (Unit width)	H (Unit height)
AMUG30LMAS	19-1/2 (495)	21 (533)	42-1/2 (1,080)

Return Opening Dimensions	
Width	Depth
19 3/8	19 3/4

DIMENSIONS

Units: In. (mm)

Outdoor Unit



The Fujitsu logo is a worldwide trademark of Fujitsu General Limited. The Airstage logo and name is a worldwide trademark of Fujitsu General Limited and is a registered trademark in Japan, the USA and other countries or areas. Copyright 2022 Fujitsu General America, Inc. Fujitsu's products are subject to continuous improvements. Fujitsu reserves the right to modify product design, specifications and information in this brochure without notice and without incurring any obligations.

Note: Specifications are based on the following conditions:  
 Cooling: Indoor temperature of 80°F (26.7°C) DB/67°F (19.4°C) WB, and outdoor temperature of 95°F (35°C) DB/75°F (23.9°C) WB.  
 Heating: Indoor temperature of 70°F (21.1°C) DB/60°F (15.6°C) WB, and outdoor temperature of 47°F (8.3°C) DB/43°F (6.1°C) WB. Pipe length: 25ft. (7.5m), Height difference: 0ft. (0m) (Outdoor unit – indoor unit).

Electric Heat Kit

For 2.5 Ton System:

HEATER PART #	STAGE	VOLTAGE	PH/HZ	HEATER KW	HEATER AMPS	DESCRIPTION
RXBH-1724A03J-A	SINGLE	208/240	1/60	2.25 / 3.0	10.8 / 12.5	3 KW ELECTRIC HEAT KIT WITH BREAKER 208/230 1PH
RXBH-1724A05J-A	SINGLE	208/240	1/60	3.6 / 4.8	17.3 / 20.0	5 KW ELECTRIC HEAT KIT WITH BREAKER 208/230 1PH
RXBH-1724A07J-A	SINGLE	208/240	1/60	5.4 / 7.2	26.0 / 30.0	7 KW ELECTRIC HEAT KIT WITH BREAKER 208/230 1PH
RXBH-1724A10J-A	SINGLE	208/240	1/60	7.2 / 9.6	34.6 / 40.0	10 KW ELECTRIC HEAT KIT WITH BREAKER 208/230 1PH
RXBH-1724B05J-A	SINGLE	208/240	1/60	3.6 / 4.8	17.3 / 20.0	5 KW ELECTRIC HEAT KIT NO BREAKER 208/230 1PH
RXBH-1724B07J-A	SINGLE	208/240	1/60	5.4 / 7.2	26.0 / 30.0	7 KW ELECTRIC HEAT KIT NO BREAKER 208/230 1PH
RXBH-1724B10J-A	SINGLE	208/240	1/60	7.2 / 9.6	34.6 / 40.0	10 KW ELECTRIC HEAT KIT NO BREAKER 208/230 1PH
RXBH-1724C05J-A	SINGLE	208/240	1/60	3.6 / 4.8	17.3 / 20.0	HTR KIT-5KW 208/230/1/60 (PULL OUT DISCONNECT)
RXBH-1724C07J-A	SINGLE	208/240	1/60	5.4 / 7.2	26.0 / 30.0	HTR KIT-7KW 208/230/1/60 (PULL OUT DISCONNECT)
RXBH-1724C10J-A	SINGLE	208/240	1/60	7.2 / 9.6	34.6 / 40.0	HTR KIT-10KW 208/230/1/60 (PULL OUT DISCONNECT)

Accessories:

Model #	Description
RXHB-21	COMBUSTIBLE FLOOR BASE 21"
RXHF-21	EXTERNAL FILTER BASE FOR FAN COILS - 21"
RXBJ-A21	JUMPER BAR (USED WITH 13kW (or larger) HEATER KIT)